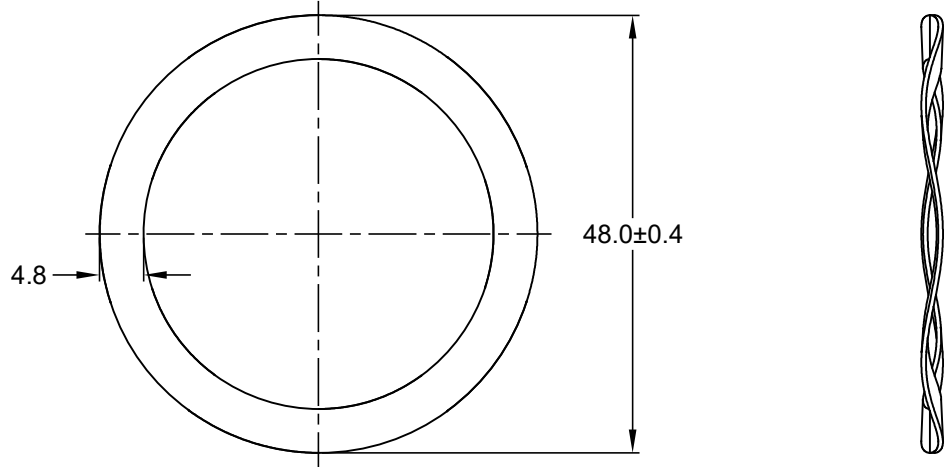


REVISIONS					
REV	ECO	DESCRIPTION	DATE	BY	APPR
01		PRELIMINARY DRAWING	15JUN17	SULLEN	TOMMY



NOTES: UNLESS OTHERWISE SPECIFIED

1. MATERIAL: STEEL
2. RoHS COMPLIANT
3. USE WITH AHDP SERIES SIZE 18 RECEPTACLE,
4. ALL DIMENSIONS ARE FOR REFERENCE USE ONLY.

AT14-002-1886					
PART NUMBER		DESCRIPTION		ITEM	
QUANTITY	MATERIALS LIST				
UNLESS OTHERWISE SPECIFIED 1) All dimensions are in metric(mm). 2) Tolerances are as follows: 1 PL DEC ±0.30 2 PL DEC ±0.15 3 PL DEC ±0.08 Fractions ±1/64 Angles ±1° 3) Note reference =	SIGNATURES		DATE		
	DRAWN: SULLEN.ZHANG		15JUN17		
MATERIAL SPECIFICATIONS:		CHECKED: ORION.LI		15JUN17	
PROCESS SPECIFICATIONS:		ENGINEER:			
NEXT ASSY:		APPROVAL: TOMMY.XIE		15JUN17	
		CUSTOMER:			
		THIS DRAWING IS SUPPLIED FOR INFORMATION ONLY. DESIGN FEATURES, SPECIFICATIONS AND PERFORMANCE DATA SHOWN HEREON ARE THE PROPERTY OF THE AMPHENOL CORPORATION. NO RIGHTS OF REPRODUCTION ARE IMPLIED. ALL DIMENSIONS ARE SUBJECT TO NORMAL MANUFACTURING VARIATIONS.			
		 Sine Systems - www.amphenol-sine.com 44724 Morley Drive Clinton Township, MI 48036		LOCK WASHER, SIZE 18, AHDP SERIES	
		SIZE: A	TYPE: C-	DWG NO: AT14-002-1886	REVISION: 01
		SCALE: NONE		SHEET 1	OF 1