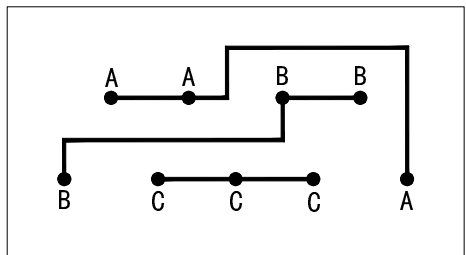
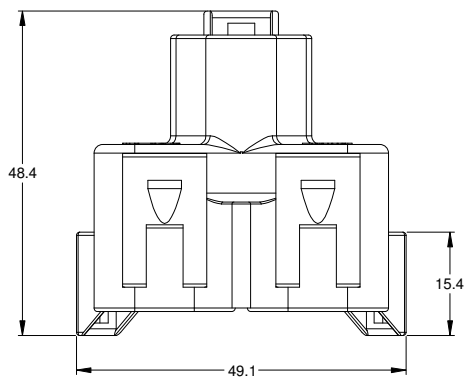
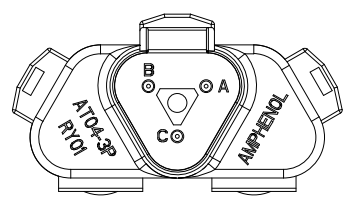
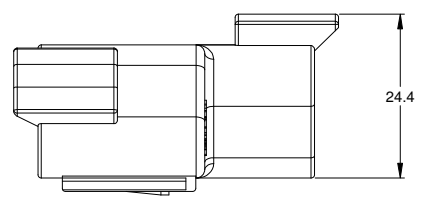
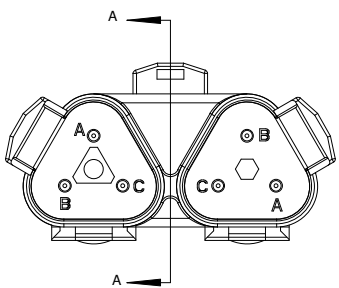
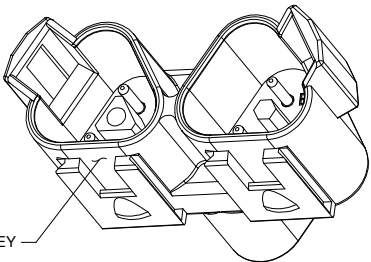


REVISIONS					
REV	ECO	DESCRIPTION	DATE	BY	APPR
A3	-	RELEASE NEW DWG FORMAT	26DEC13	ORION	TOMMY
A4	-	UPDATED VIEWS	15DEC15	ORION	TOMMY



WIRING DIAGRAM



STANDARD MOLDED COLOR IS GREY

NOTES: UNLESS OTHERWISE SPECIFIED

1. MATERIAL:
HOUSING: THERMOPLASTIC, COLOR: GRAY
CONTACT: COPPER ALLOY, GOLD PLATED

2. MODIFICATIONS: Y-TYPE

3. SPECIFICATIONS:
3.1 CURRENT RATING: 13 AMPS
3.2 OPERATING TEMPERATURE: -55°C TO +125°C
3.3 DIELECTRIC WITHSTANDING VOLTAGE: LESS THAN 2 MILLIAMPS CURRENT LEAKAGE @ 1500 VOLTS AC.
3.4 INSULATION RESISTANCE: 1000 MEGOHMS MIN @ 25°C.
3.5 MOISTURE RESISTANCE: IP67 (MATED CONDITION)
3.6 MATING CYCLE DURABILITY: 100 CYCLES
3.7 RoHS COMPLIANT

4. MATING PART: AT06-3S* RECEPTACLE
(* = MODIFICATIONS AND COLORS)

5. ALL DIMENSIONS ARE FOR REFERENCE USE ONLY.

6 CONTACT SIZE : 16

AT04-3P-RY01		DESCRIPTION		ITEM								
PART NUMBER												
QUANTITY	MATERIALS LIST											
UNLESS OTHERWISE SPECIFIED 1) All dimensions are in metric(mm). 2) Tolerances are as follows: 1 PL DEC ±0.30 Fractions ±1/64 2 PL DEC ±0.15 Angles ±1° 3) Note reference =		SIGNATURES	DATE	<h1>Amphenol</h1> <p>Sine Systems - www.amphenol-sine.com 44724 Morley Drive Clinton Township, MI 48036</p>								
		DRAWN: ORION/LI	26DEC13									
		CHECKED:										
		ENGINEER:										
MATERIAL SPECIFICATIONS:		APPROVAL:		<p>RECEPTACLE, 3 PIN,Y-TYPE BLACK,AT SERIES</p>								
PROCESS SPECIFICATIONS:		CUSTOMER:										
NEXT ASSY:		THIS DRAWING IS SUPPLIED FOR INFORMATION ONLY. DESIGN FEATURES, SPECIFICATIONS AND PERFORMANCE DATA SHOWN HEREON ARE THE PROPERTY OF THE AMPHENOL CORPORATION. NO RIGHTS OF REPRODUCTION ARE IMPLIED. ALL DIMENSIONS ARE SUBJECT TO NORMAL MANUFACTURING VARIATIONS.		<table border="1"> <tr> <td>SIZE</td> <td>TYPE</td> <td>DWG NO:</td> <td>REVISION</td> </tr> <tr> <td>B</td> <td>C-</td> <td>AT04-3P-RY01</td> <td>A4</td> </tr> </table>	SIZE	TYPE	DWG NO:	REVISION	B	C-	AT04-3P-RY01	A4
SIZE	TYPE	DWG NO:	REVISION									
B	C-	AT04-3P-RY01	A4									
		SCALE: NONE		<table border="1"> <tr> <td>SHEET</td> <td>1</td> <td>OF</td> <td>1</td> </tr> </table>	SHEET	1	OF	1				
SHEET	1	OF	1									

TITLE: RECEPTACLE, 3 PIN,Y-TYPE,BLACK,AT SERIES
DWG NO.: AT04-3P-RY01
REV: A4
SH: 1
OF: 1