

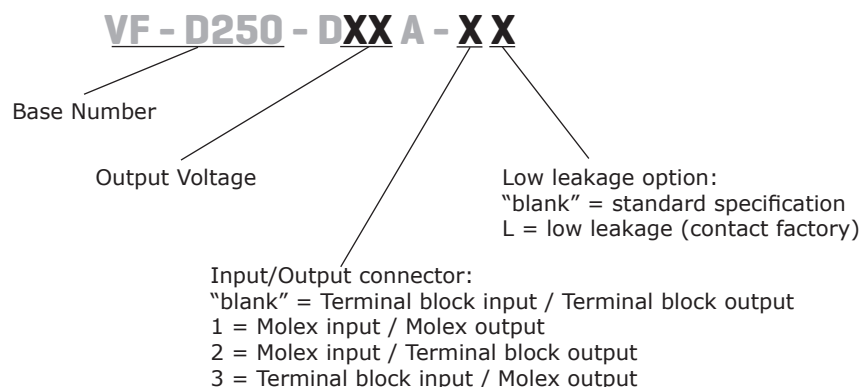
SERIES: VF-D250-DXXA | **DESCRIPTION:** AC-DC POWER SUPPLY**FEATURES**

- up to 250 W continuous power w/ 16 CFM forced air
- 600 W peak power within 500 μ s duty duration
- passive power correction
- dual outputs
- power good signal
- remote on/off control
- 3,000 Vac isolation voltage
- over load, over voltage, over temperature, and short circuit protections
- UL/cUL, and TUV 62368-1 safety approvals
- efficiency up to 70%



MODEL	output voltage (Vdc)	output current		output power ¹		ripple and noise ^{3,4}	efficiency
		max (A)	max w/ airflow ² (A)	max (W)	max w/ airflow ² (W)	max (mVp-p)	typ (%)
VF-D250-D312A*	3.3	12	24	100	200	50	70%
	12	7	12				
VF-D250-D324A*	3.3	12	24	100	200	50	70%
	24	4	6				
VF-D250-D512A	5	12	24	100	200	50	70%
	12	7	12				
VF-D250-D524A	5	12	24	100	200	50	70%
	24	4	6				
VF-D250-D548A*	5	12	24	100	200	50	70%
	48	2	3				
VF-D250-D1224A	12	7	12	135	250	120	70%
	24	4	6				

- Notes:
1. Maximum total combined power
 2. With external 16 CFM fan
 3. 10% minimum load is required to maintain the ripple and regulation.
 4. Ripple and noise is measured from 10 KHz to 20 MHz at output terminals with a 0.1 μ F ceramic capacitor and a 22 μ F electrolytic capacitor in parallel.
 5. * Discontinued model.

PART NUMBER KEY

INPUT

parameter	conditions/description	min	typ	max	units
voltage	auto selectable	90		132	Vac
		180		264	Vac
frequency		47		63	Hz
current	at 110~120 Vac, cold start			6	A
	at 200~240 Vac, cold start			3	A
inrush current	at 115 Vac, full load, cold start			35	A
	at 230 Vac, full load, cold start			70	A
power factor	compliant to EN 61000-3-2 class A				
remote on/off	designated as RMSW on the CN1, requires a low signal to inhibit output off behavior: hiccup mode				

OUTPUT

parameter	conditions/description	min	typ	max	units
regulation			±5		%
transient response	Output voltage returns to within 1% in less than 2.5 ms for a 50% load change. Peak transient does not exceed 5%.				
start-up time	at 230 Vac			1	s
hold-up time	at 80% of rated maximum load	20			ms
adjustability			±5		%
switching frequency	fixed		25		kHz
power good	Designated as PG on the CN1. This signal goes high 100~500 ms after the output reaches regulation. It goes low at least 1 ms before loss of regulation (open collector).				
fan drive	12 Vdc / 300 mA for external fan				

PROTECTIONS

parameter	conditions/description	min	typ	max	units
over voltage protection	AC input needs to be reset to restart the power supply			130	%
over current protection	automatically recovers	110		140	%
short circuit protection	short circuit can be continuous, recovers automatically				
over temperature protection	auto recovery		110		°C

SAFETY & COMPLIANCE

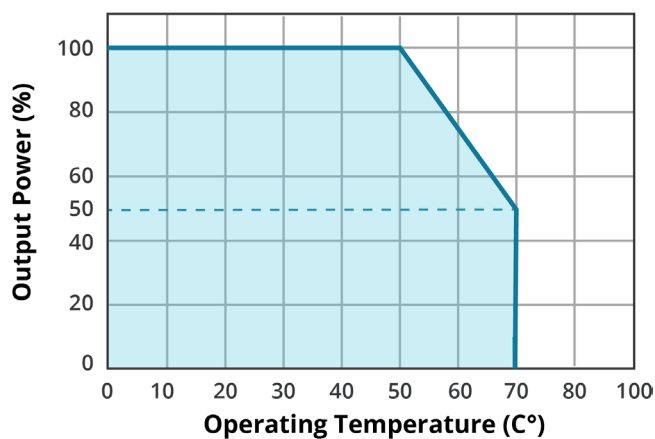
parameter	conditions/description	min	typ	max	units
isolation voltage	applied for 3 seconds at 10 mA max.				
	primary to secondary	3,000			Vac
	primary to transformer core	1,500			Vac
	primary to earth chassis	1,500			Vac
safety approvals	IEC/EN/UL 62368-1				
EMI/EMC	EN 55032 Class B conducted / radiated, EN 61000-3-2, EN 61000-3-3, EN 55024 (IEC 61000-4-2, IEC 61000-4-3, IEC 61000-4-4, IEC 61000-4-5, IEC 61000-4-6, IEC 61000-4-8, IEC 61000-4-11)				
leakage current	standard model at 264 Vac			1	mA
	low-leakage model at 240 Vac			500	µA
	low-leakage model at 120 Vac			300	µA
RoHS	yes				
MTBF	according to MIL-HDBK-217 at 30 °C	100,000			hrs

ENVIRONMENTAL

parameter	conditions/description	min	typ	max	units
operating temperature	see derating curve	0		70	°C
storage temperature		-20		85	°C
operating humidity	non-condensing	5		90	%
storage humidity	non-condensing	5		95	%
vibration	acceleration ± 7.35 M/(SxS), on X, Y and Z Axis	5		50	Hz

DERATING CURVES

TEMPERATURE DERATING CURVE



MECHANICAL

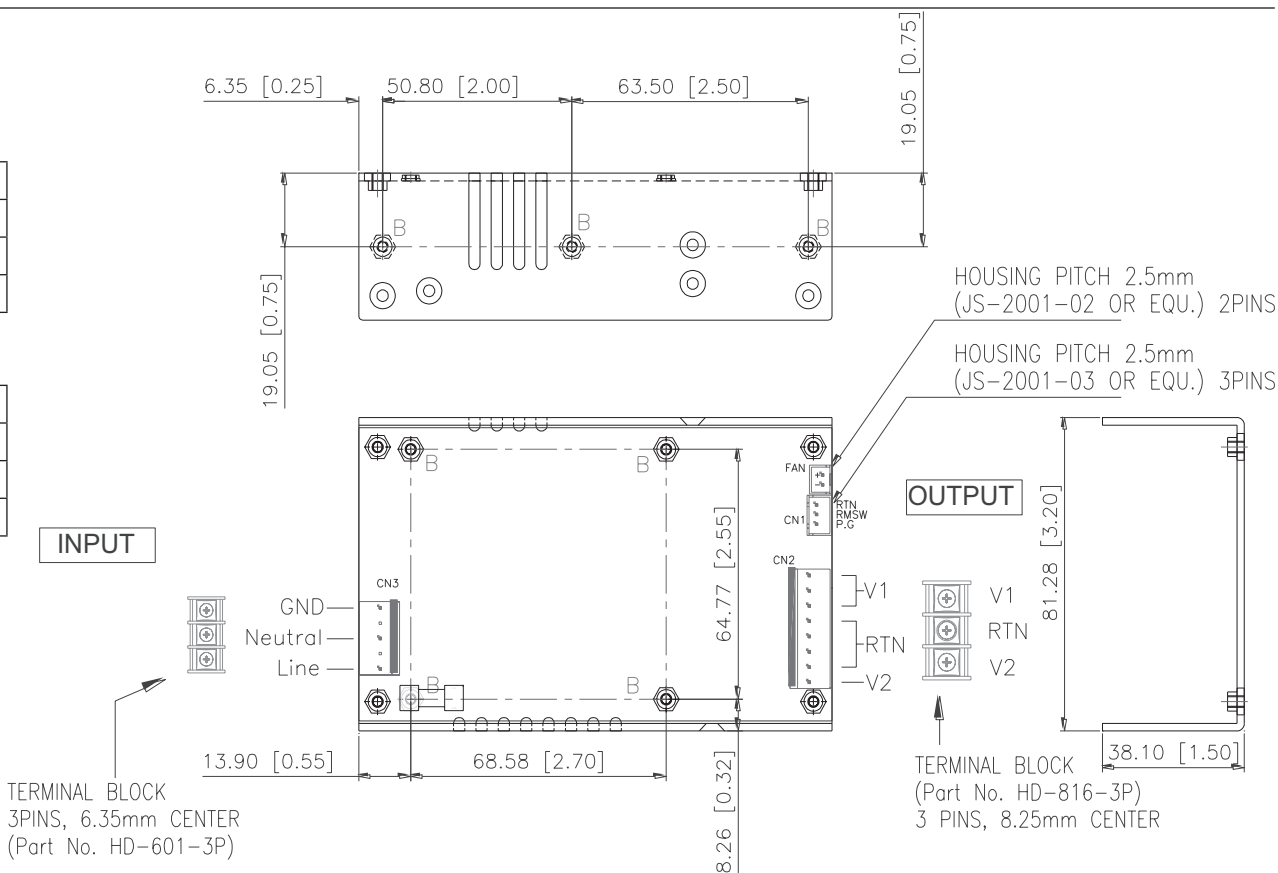
parameter	conditions/description	min	typ	max	units
dimensions	5(L) x 3.2(W) x 1.5(H)				inches
weight				450	g

MECHANICAL DRAWING

units: mm

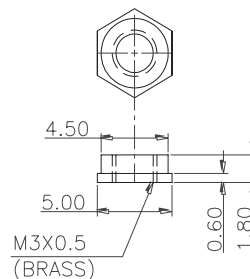
CN1	
1	ground
2	ac neutral
3	ac line

CN3	
1	Power Good
2	remote switch
3	RTN



CN2	
1	Vo2
2	RTN
3	RTN
4	RTN
5	RTN
6	Vo1
7	Vo1
8	Vo1

B: MOUNTING HOLE 7 PLACES
SACLE4:1
MAXIMUM PENETRATION LENGTH=2.1MM



Notes:

1. CN1 mates with molex part no. 09-93-0500 or equivalent and molex 2478, 2578, 8818 crimp pins.
2. CN2 mates with molex part no. 09-93-0800 and molex 2478, 2578, 8818 crimp pins.
3. CN3 mates with JST part no. XHP-3 or equivalent (CHYAO SHIUNN JS-2001-03) and JST SXH-002T-P0.6 mating pins
4. Fan drive connector mates with JST part no. XHP-2 or equivalent (CHYAO SHIUNN JS-2001-02).
5. Mounting hole maximum M3 screw penetration depth is 2.1 mm.

REVISION HISTORY

rev.	description	date
1.0	initial release	05/05/2009
1.01	new template applied	12/17/2011
1.02	V-Infinity branding removed	08/28/2012
1.03	updated spec	03/29/2013
1.04	updated spec	01/19/2018
1.05	updated datasheet	07/10/2018
1.06	updated to be certified to 62368-1 safety standard	07/02/2019
1.07	company logo updated	12/22/2020
1.08	updated remote on/off line & derating curve	04/26/2021
1.09	discontinued models VF-D250-D312A, VF-D250-D324A, VF-D250-D548A	01/10/2022
1.10	product image updated	04/05/2022

The revision history provided is for informational purposes only and is believed to be accurate.



CUI INC

a bel group

Headquarters

20050 SW 112th Ave.
Tualatin, OR 97062
800.275.4899

Fax 503.612.2383
cui.com
techsupport@cui.com

CUI offers a two (2) year limited warranty. Complete warranty information is listed on our website.

CUI reserves the right to make changes to the product at any time without notice. Information provided by CUI is believed to be accurate and reliable. However, no responsibility is assumed by CUI for its use, nor for any infringements of patents or other rights of third parties which may result from its use.

CUI products are not authorized or warranted for use as critical components in equipment that requires an extremely high level of reliability. A critical component is any component of a life support device or system whose failure to perform can be reasonably expected to cause the failure of the life support device or system, or to affect its safety or effectiveness.