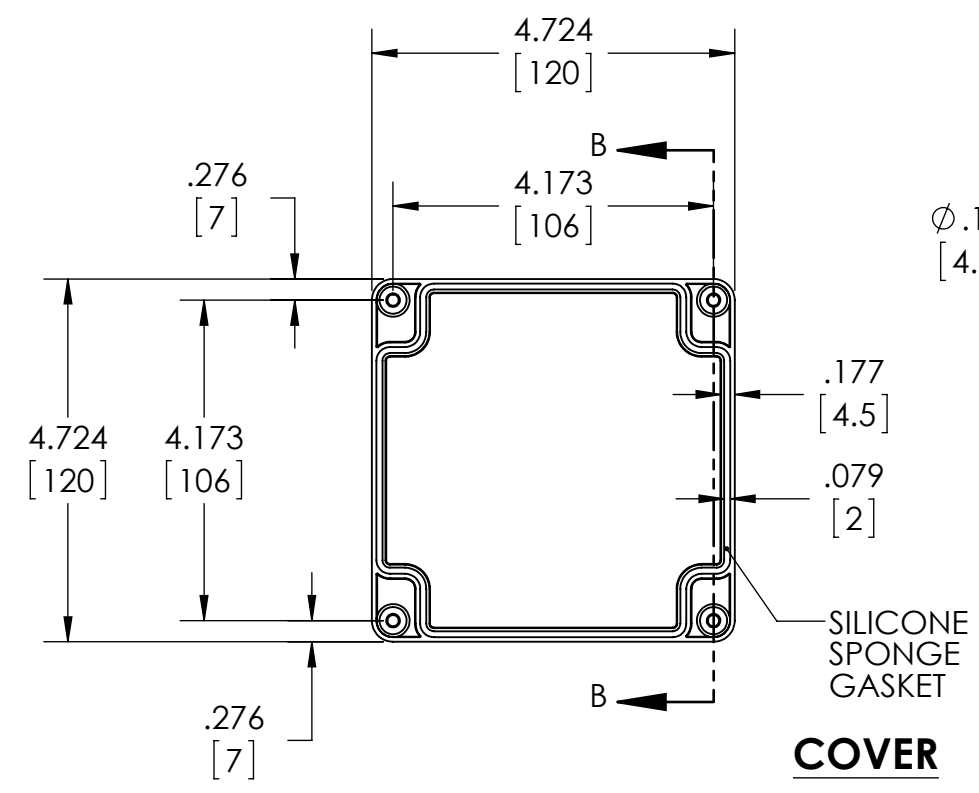
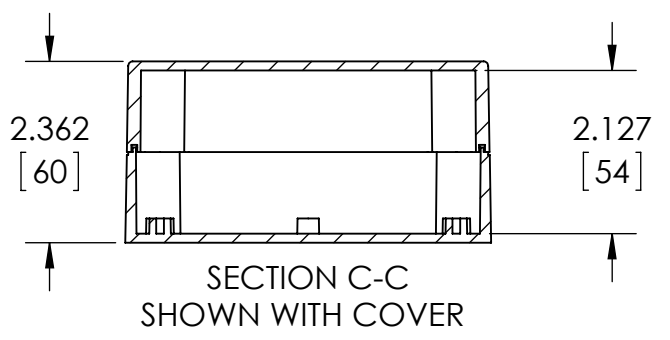
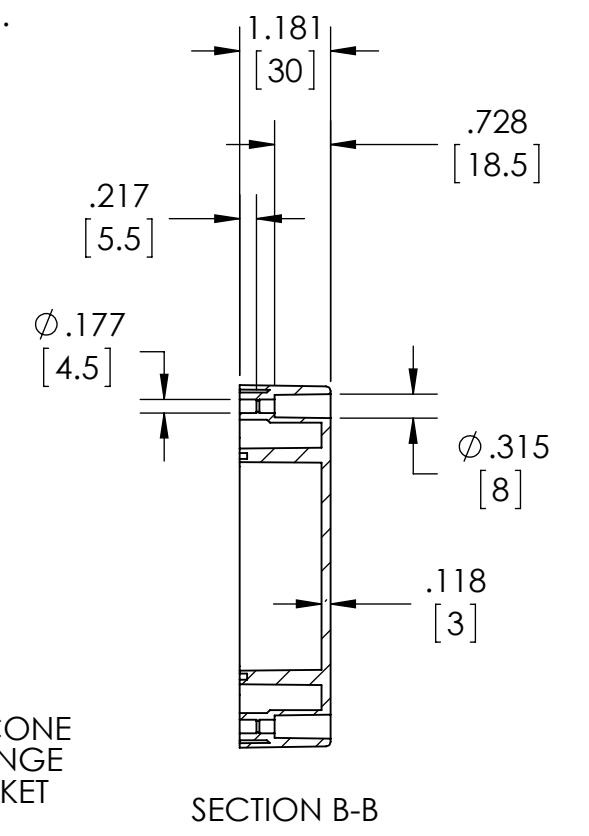


BODY



COVER



MATERIAL & FINISH:
 (-MB SUFFIX PART NO.) POLYCARBONATE UL94-HB, UV STABILIZED, SERVICE TEMPERATURE RANGE: -40°C TO +120°C, LIGHT GRAY BODY & COVER.
 (-CMB SUFFIX PART NO.) SAME AS -MB EXCEPT CLEAR COVER.
 (-DGMB SUFFIX PART NO.) ABS UL94-HB, SERVICE TEMPERATURE RANGE: -40°C TO +80°C, DARK GRAY BODY & COVER.

- NOTES:
 1.) FOUR (4) M4 STAINLESS STEEL SCREWS SUPPLIED FOR ASSEMBLY OF COVER TO BODY.
 2.) BOXES DESIGNED TO MEET FOLLOWING STANDARDS:
 NEMA 1, 2, 4, 4X, 12, 13 AND IEC529-IP66 REQUIREMENTS.
 3.) ALL HOLE DIAMETERS HAVE $\pm .005$ [.12] TOLERANCE.
 ALL OTHER DIMENSIONS HAVE $\pm .015$ [.38] TOLERANCE.
 4.) ALL OUTSIDE DRAFT ANGLE: 1°
 ALL INSIDE DRAFT ANGLE: 1/2°
 5.) DIMENSIONS ARE INCH[MM]