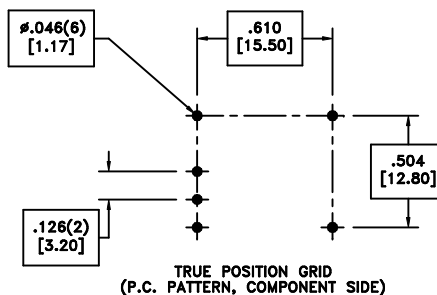
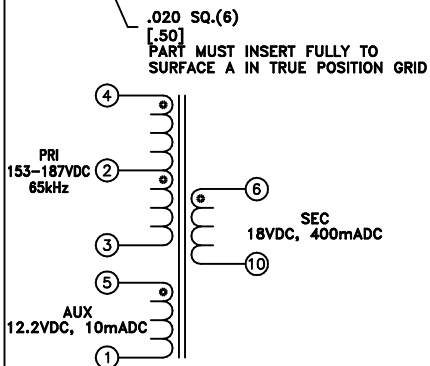
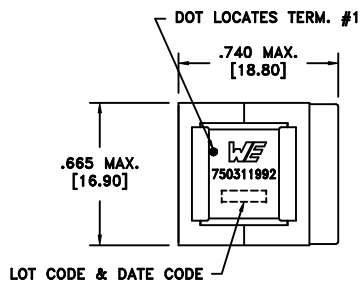
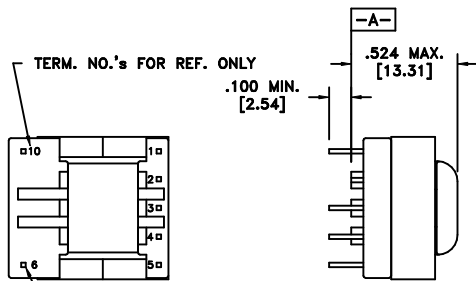


CUSTOMER TERMINAL	RoHS	LEAD(Pb)-FREE
Sn96%, Ag4%	Yes	Yes

more than you expect



ELECTRICAL SPECIFICATIONS @ 25°C unless otherwise noted:

PARAMETER	TEST CONDITIONS	VALUE
D.C. RESISTANCE	4-3 @20°C	2.90 ohms ±20%
D.C. RESISTANCE	5-1 @20°C	0.815 ohms ±20%
D.C. RESISTANCE	6-10 @20°C	0.240 ohms ±20%
INDUCTANCE	4-3 65kHz, 100mVAC, Ls	1.20mH ±10%
SATURATION CURRENT	20% rolloff from initial	540mA
LEAKAGE INDUCTANCE	4-3 tie(1+5, 6+10), 100kHz, 100mVAC, Ls	15uH max.
DIELECTRIC	4-6 tie(3+5), 1875VAC, 1 second	1500VAC, 1 minute
URNS RATIO	(4-3):(5-1)	4:1, ±2%
URNS RATIO	(4-3):(6-10)	2.97:1, ±2%
URNS RATIO	(4-2):(2-3)	1:1, ±2%

GENERAL SPECIFICATIONS:

OPERATING TEMPERATURE RANGE: -40°C to +125°C including temp rise.

Designed to comply with requirements as defined by UL1310.

Wire insulation & RoHS status not affected by wire color.
Wire insulation color may vary depending on availability.

DETAILS SUBJECT TO CHANGE

REV.	DATE	Packaging Specifications Method: Tray PKG-0735 www.we-online.com/midcom		Tolerances unless otherwise specified: Angles: ±1° Decimals: ±.005 [.13] Fractions: ±1/64 Footprint: ±.001 [.03]	DRAWING TITLE TRANSFORMER	PART NO. 750311992
6A	12/10	SEE REVISION SHEET FOR REVISION LEVEL	CONVENTION PLACEMENT REVISION LEVEL	This drawing is dual dimensioned. Dimensions in brackets are in millimeters.	eiSos p/n: 750311992	compliant RoHS SPECIFICATION SHEET 1 OF 1