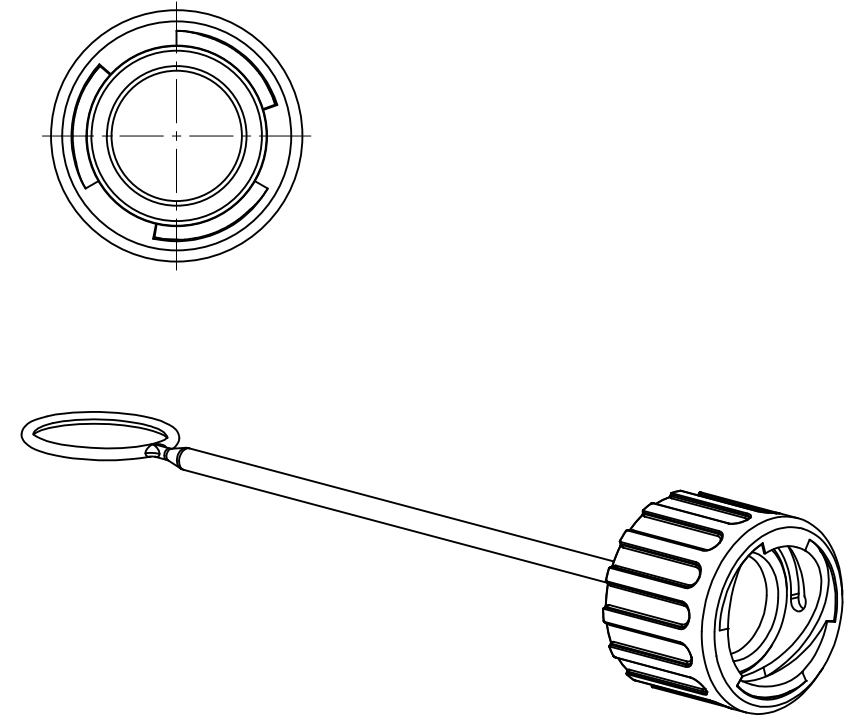
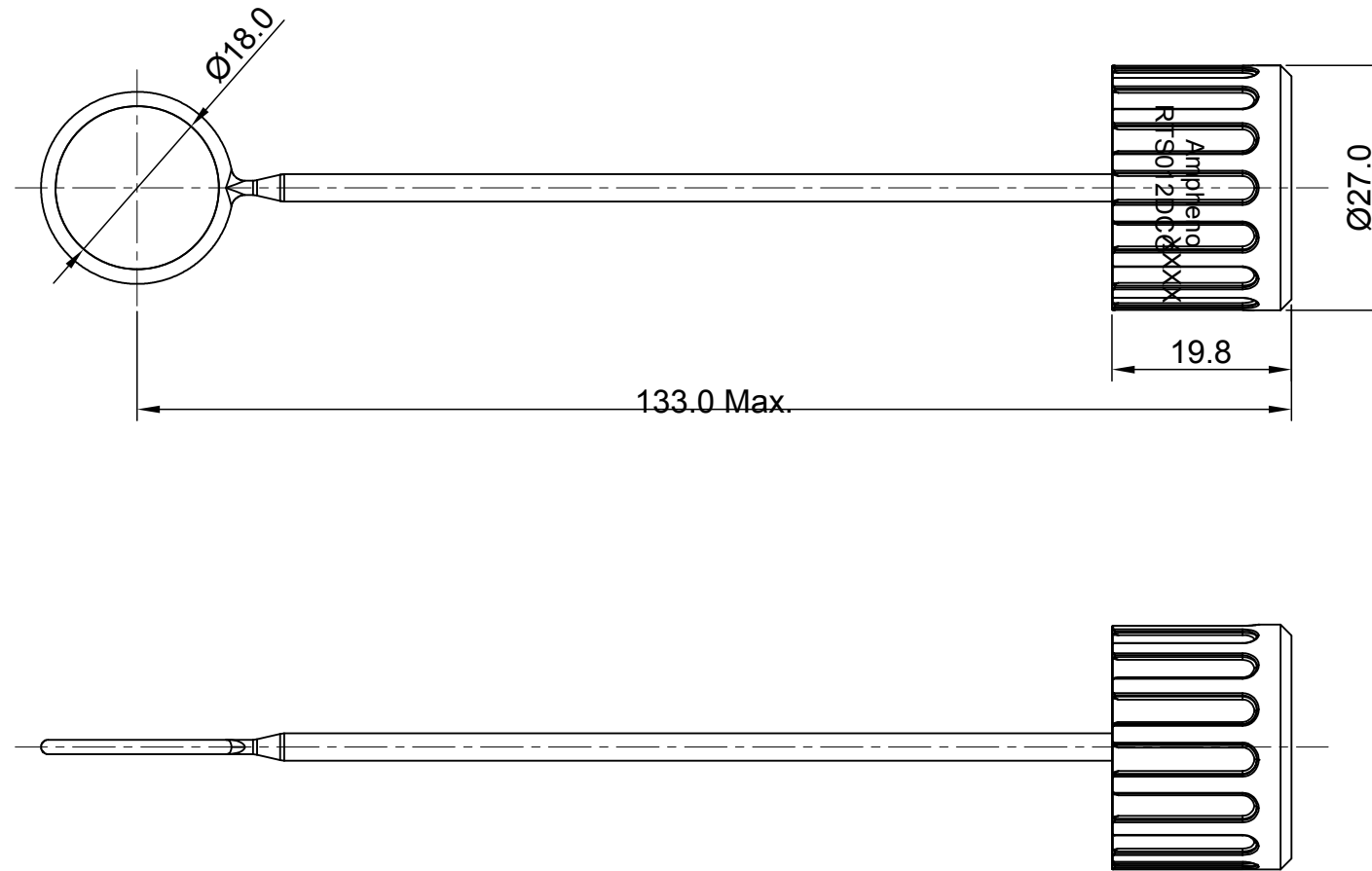


REVISIONS					
REV	ECO	DESCRIPTION	DATE	BY	APPR
A1		FIRST RELEASED	Apr.05,2016	Drack	Tommy



PART NUMBER	
-40°C ~ 105°C	-40°C ~ 125°C
RTS012DCG	RTS012DCG03

NOTES : (UNLESS OTHERWISE SPECIFIED)

- MATERIAL :
SHELL : THERMOPLASTIC , UL94 V-0.
SEAL GASKET : NBR OR SR.
- SPECIFICATIONS :
2.1, OPERATING TEMPERATURE : SEE TABLE.
2.2, IP-CLASS : IP67.
2.3, MATING CYCLES DURABILITY : 500 CYCLES MIN.
2.4, RoHS COMPLIANT.
- ALL DIMENSIONS ARE FOR REFERENCE USE ONLY.

QUANTITY	PART NUMBER	DESCRIPTION	ITEM
MATERIALS LIST			
<p>UNLESS OTHERWISE SPECIFIED</p> <p>1) All dimensions are in metric (mm).</p> <p>2) PL DEC ±0.15 Angles ±1°</p> <p>3) Note reference = </p>		<p>Amphenol</p> <p>Sine Systems - www.amphenol-sine.com 44724 Morley Drive Clinton Township, MI 48036</p> <p>ECO-MATE, DUST CAP, RECEPTACLE SIZE 12</p>	
<p>SIGNATURES</p> <p>DRAWN: Drack</p> <p>CHECKED:</p> <p>ENGINEER:</p> <p>APPROVAL:</p> <p>DATE: Apr.05,2016</p>		<p>SIZE: B</p> <p>TYPE: C-</p> <p>SCALE: NONE</p>	
<p>MATERIAL SPECIFICATIONS:</p> <p>PROCESS SPECIFICATIONS:</p> <p>NEXT ASSY:</p>		<p>DWG NO: RTS012DCGxx</p> <p>REVISION: A1</p> <p>SHEET 1 OF 1</p>	

TITLE: ECO-MATE DUST CAP RECEPTACLE SIZE 12
DWG NO: RTS012DCGxx
REV: A1
SH: 1
OF: 1