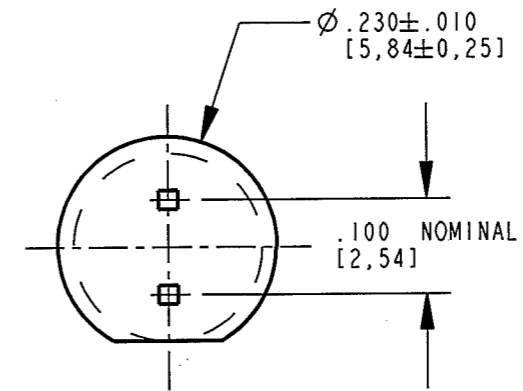
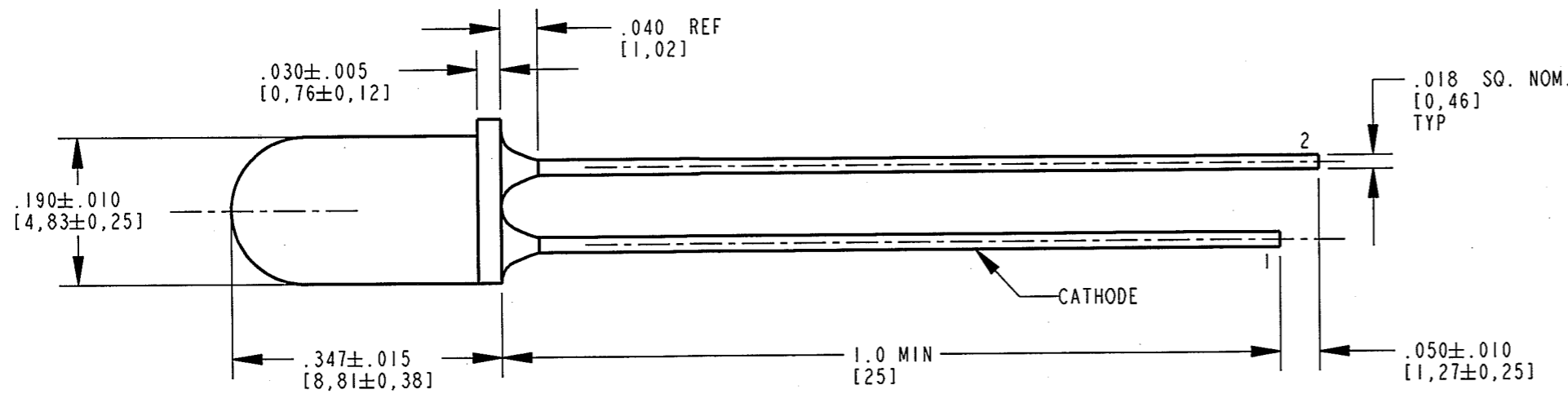


DIALIGHT PART NUMBER	LED & LENS COLOR
521-9247F	RED
521-9251F	GREEN

RoHS COMPLIANT 521-92XXF

Part Numbers with the "F" suffix ending are RoHS Compliant.
 For Example: 521-9251F
 Packaging is marked with "RoHS Compliant" label or equivalent markings. Parts can be wave soldered, dip soldered or hand soldered using typical lead-free soldering process with max 260°C temp. for 5 sec.

REV	ECN NO	REVISIONS	DRN	CKD	APP	DATE
A	---	NEW RELEASE	KLJ	N.O.	MES	10-31-08
B	---	"TINTED" EPOXY PACKAGE WAS "WATER CLEAR" IN ERROR.	KLJ	<i>n.o.</i>	<i>yej</i>	<i>11/15/09</i>



OPERATING CHARACTERISTICS AT 25°C AMBIENT						
LED COLOR	LUMINOUS INTENSITY @ I _F = 10 mA (mcd)		FORWARD VOLTAGE @ I _F = 10 mA (V)		PEAK WAVELENGTH (nm)	VIEWING ANGLE (DEG)
	MIN	TYP	MIN	MAX	TYP	TYP
RED	25	60	2.2	3.0	635	35
GREEN	25	70	2.3	3.0	565	24



ATTENTION:
 OBSERVE PRECAUTIONS FOR
 HANDLING ELECTROSTATIC
 SENSITIVE DEVICES

ABSOLUTE MAXIMUM RATINGS AT 25°C AMBIENT	RED	GREEN	UNITS
POWER DISSIPATION	135	135	mW
DC CURRENT	30	30	mA
PEAK OPERATING FORWARD CURRENT	90	90	mA
PEAK TRANSIENT FORWARD CURRENT (10µs PULSE WIDTH)	500	500	mA
DERATE LINEARLY FROM 25°C (50°C FOR YELLOW)	0.4	0.4	mA/°C
REVERSE VOLTAGE (I _R =100 µA)	5	5	V
STORAGE TEMPERATURE	-55 TO +100		°C
OPERATING TEMPERATURE	-55 TO +100	-20 TO +100	°C
SOLDERING TEMPERATURE, 1/16" FROM BODY FOR 5 SEC	260		°C

NOTES:

- LENS COLOR: TINTED, NON-DIFFUSED
- LEAD SPACING MEASURED NEAR EPOXY PACKAGE.
- PIN NUMBERS FOR REFERENCE ONLY, DESIGNATION NON-EXISTENT ON PART.
- DIALIGHT PART NUMBER: 521-9247F, 521-9251F.
- THIS ASSEMBLY CONTAINS ELECTROSTATIC DISCHARGE SENSITIVE DEVICES (ESDS). MAINTAIN ALL PRECAUTIONARY MEASURES DURING ASSEMBLY, HANDLING, AND STORAGE IN ACCORDANCE WITH IPC-A-610.

THIS DRAWING AND THE CONTENTS HEREIN ARE CONFIDENTIAL AND THE SOLE PROPERTY OF DIALIGHT. REPRODUCTION OF THIS DRAWING OR CONSTRUCTION OF ANY PARTS WITHIN THIS DRAWING ARE FORBIDDEN WITHOUT THE WRITTEN CONSENT OF DIALIGHT.		
SCALE: 3.000	DRAWING NUMBER	REV
ALL DIM'S IN: INCHES (MM)	C-17674	B
TOLERANCES: UNLESS OTHERWISE SPECIFIED	TITLE Ø5mm TINTED, NON-DIFFUSED LED RoHS COMPLIANT	
FRACTIONS: ±1/64	MATERIAL	
DECIMALS (.XX): ±.01	Dialight	
DECIMALS (.XXX): ±.005	1501 ROUTE 34 SOUTH	
DECIMALS (.XXXX): ±.0005	FARMINGDALE, NJ 07727	
ANGLES: ±1°	FSCM 83330	
FINISH:	SHEET 1 OF 1 FAMILY TABLE:	