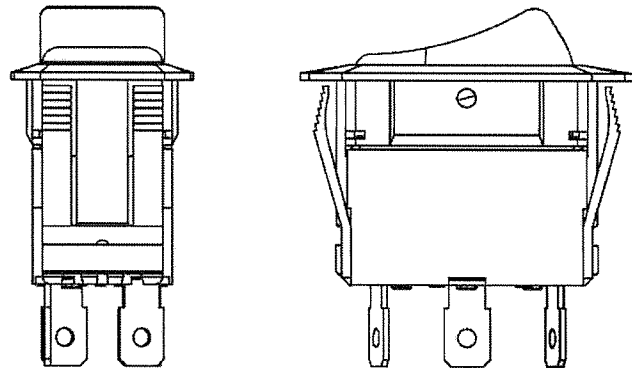
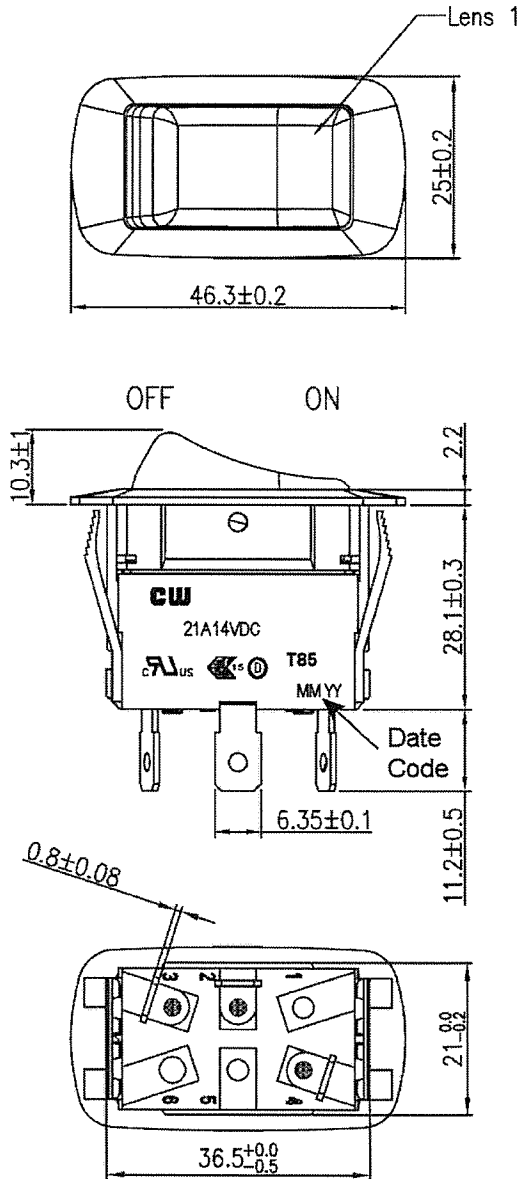


THIS INFORMATION IS CONFIDENTIAL AND PROPRIETARY TO CW INDUSTRIES INCORPORATED AND ITS AFFILIATES. IT MAY NOT BE DISCLOSED TO ANYONE, OTHER THAN CW INDUSTRIES PERSONNEL, WITHOUT WRITTEN AUTHORIZATION FROM CW INDUSTRIES INCORPORATED, SOUTHAMPTON, PENNSYLVANIA USA.

Rating	21A 14VDC	T85	Mounting Hole	Circuit Diagram	
Configured For	12VDC 14V				
Contact Resistance	50m ohm Max.				
Insulation Resistance	DC 500V 100M ohm Min.				
Dielectric Strength	AC 1500V 1 minute				
Operation Temperature	-20°~85°		Thickness(mm)	X(mm)	Y(mm)
Switch Function	3P SPST ON-OFF Lamp Dependent		0.75~1.25	21.2±0.1	36.6 ^{+0.2}
Lamp Type	Bulb 12VDC 14V		1.25~2.0		36.8 ^{+0.2}
			2.0~3.0		37.0 ^{+0.2}

MATERIAL:
 Frame: Nylon # 66, Black
 Actuator: Nylon # 66 with 33%GF, Black
 Lens 1: PC, Red
 Lens 2: None
 Water Proof and Dust Proof to fit IP-56



Order Chart									
Series		Actuator Type		Terminal Type		Lens 1 Color		Voltage	
GRB260	A	4	01	B	B	R	N	1	
Function		Frame Color		Actuator Color		Lens 2 Color		None	

R13-260A4-01-BBRN-91100

3 Updated ratings. 2/12/18.

CW INDUSTRIES
 Southampton, Pa. 18966
 Tel 215.355.7080/www.cwind.com

Date Drawn: 5/27/10

Rev. 3

Unit: mm

Checked By: *G. GULD*

Title: **ROCKER SWITCH**

CW P/N: **GRB260A401BBRN1**