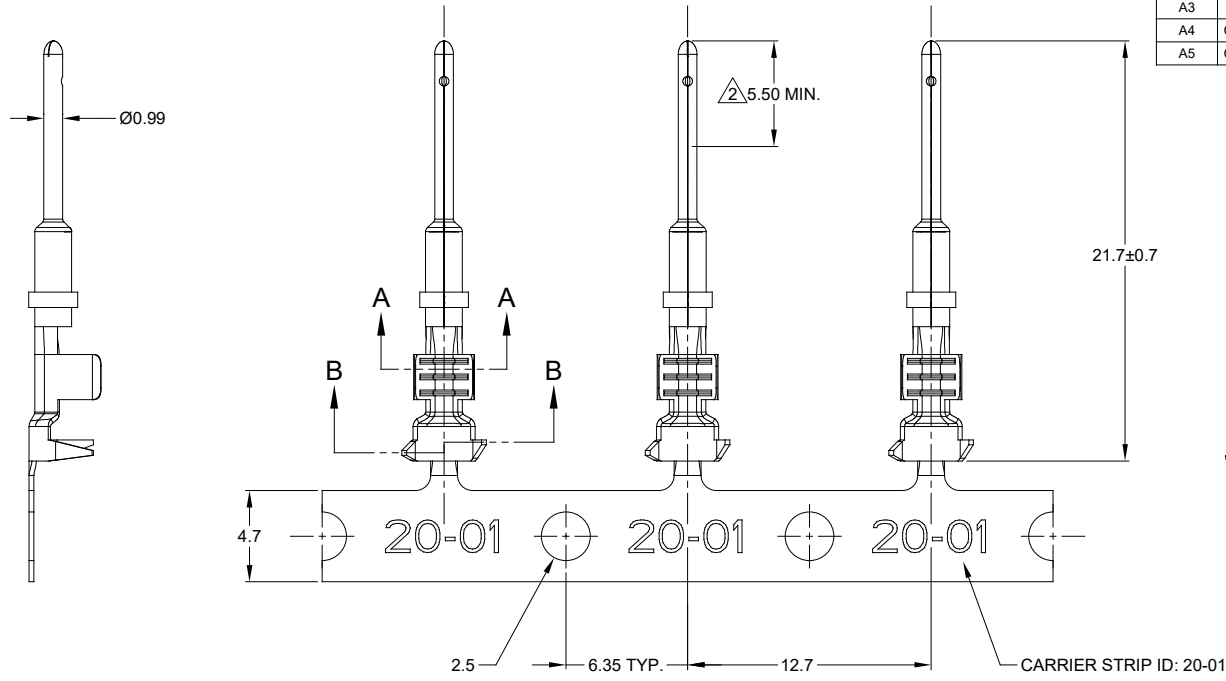


REVISIONS					
REV	ECO	DESCRIPTION	DATE	BY	APPR
A3	-	RELEASE NEW DWG FORMAT	30/JUN/13	DRP	-
A4	C0855S	CONTACT INFORMATION UPDATED	03/MAY/18	ROOKIE	TOMMY
A5	C1070S	UPDATE DRAWING	02/JUL/19	JOE	TOMMY



NOTES: UNLESS OTHERWISE SPECIFIED

1. MATERIAL: COPPER ALLOY

△ PLATING: SEE PART NUMBER CHART  
 \*FOR GOLD PLATED CONTACTS: SELECTIVE GOLD FLASH IN CONTACT ZONE OR ENTIRE CONTACT.

3. CONTACT SIZE: 20

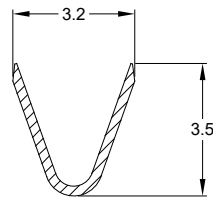
4. SPECIFICATIONS:  
 4.1 CURRENT RATING: 7.5 AMPS  
 4.2 CONTACT MILLIVOLT DROP: 100 MILLIVOLT DROP MAXIMUM AT 7.5 AMP TEST CURRENT.  
 4.3 RoHS COMPLIANT

5. RECOMMENDED WIRE RANGE: 16 - 22 AWG  
 RECOMMENDED INSUL O.D.: 1.91 - 3.15 MM

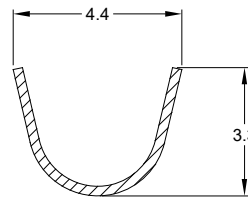
6. PACKAGE: 4000PCS/REEL

7. AVAILABLE APPLICATORS: MFX-3974-K OR MFX-3974-G

8. ALL DIMENSIONS ARE FOR REFERENCE USE ONLY



SECTION A-A



SECTION B-B

PART NUMBER CHART	
PLATING	PART NUMBER
NICKEL	AT60-20-0122
GOLD	AT60-20-0144

SEE PART NUMBER CHART		REF: 1060-20-0144, 1060-20-0122	
PART NUMBER		DESCRIPTION	
QUANTITY			ITEM
<b>MATERIALS LIST</b>			
UNLESS OTHERWISE SPECIFIED: 1) All dimensions are in metric (mm). 2) Tolerances are as follows: 1 PL DEC ±0.30 2 PL DEC ±0.15 3 PL DEC ±0.08 Fractions ±1/64 Angles ±1° 3) Note reference = △		SIGNATURES	DATE
MATERIAL SPECIFICATIONS:		DRAWN: JOE SONG	02/JUL/19
PROCESS SPECIFICATIONS:		CHECKED: ORION LI	02/JUL/19
NEXT ASSY:		ENGINEER:	
		APPROVAL: TOMMY XIE	02/JUL/19
		CUSTOMER:	
		THIS DRAWING IS SUPPLIED FOR INFORMATION ONLY. DESIGN FEATURES, SPECIFICATIONS AND PERFORMANCE DATA SHOWN HEREON ARE THE PROPERTY OF THE AMPHENOL CORPORATION. NO RIGHTS OF REPRODUCTION ARE IMPLIED. ALL DIMENSIONS ARE SUBJECT TO NORMAL MANUFACTURING VARIATIONS.	
SIZE: <b>B</b>	TYPE: <b>C</b>	DWG NO: <b>AT60-20-01XX</b>	REVISION: <b>A5</b>
SCALE: NONE	SHEET 1 OF 1		

TITLE: CONTACT PIN, STAMPED, SIZE 20, 16-22 AWG, A SERIES  
 DWG NO: AT60-20-01XX  
 REV: A5  
 SH: 1  
 OF: 1

