



PART NAME

NEMA DIE CAST ALUM. ENCLOSURE w/MTG. BRKT.

PART No.

AN-2800-A & AN-2800-AB

REVISION DATE

9-30-15

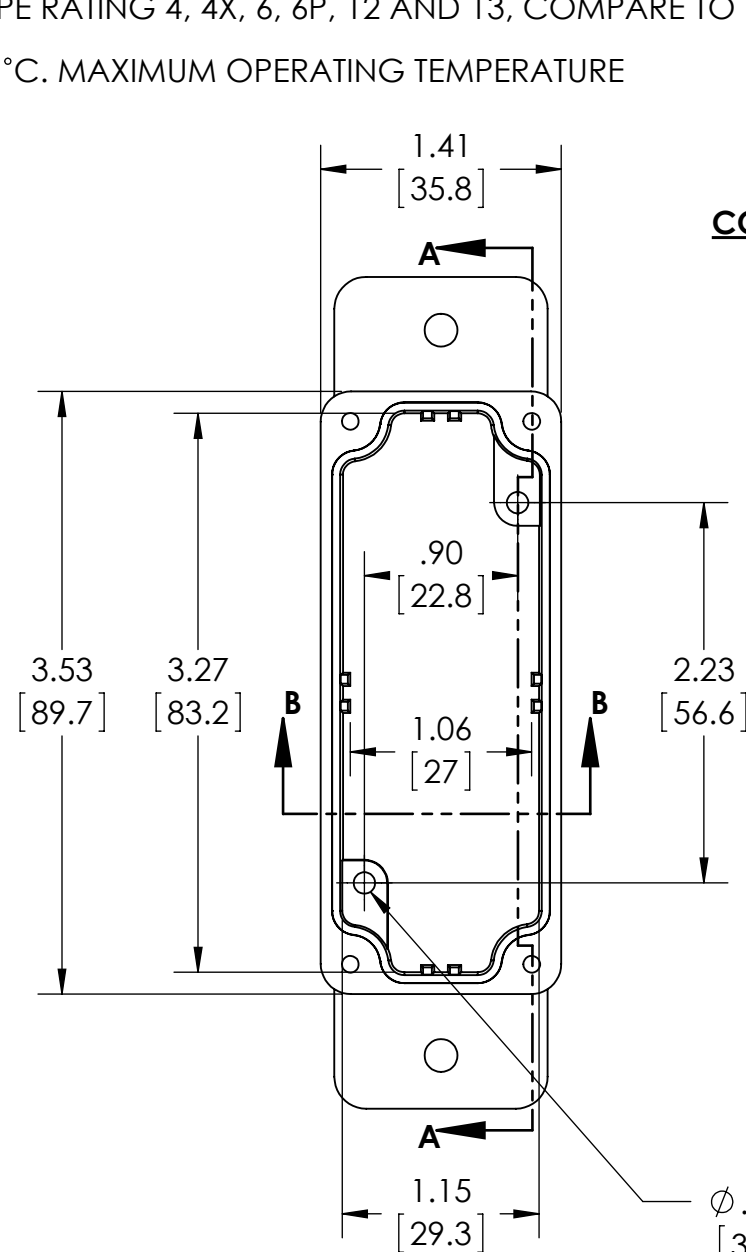
UL LISTED FOR U.S. AND CANADA - FILE #E194432

TYPE RATING 4, 4X, 6, 6P, 12 AND 13, COMPARE TO IP-68

80°C. MAXIMUM OPERATING TEMPERATURE

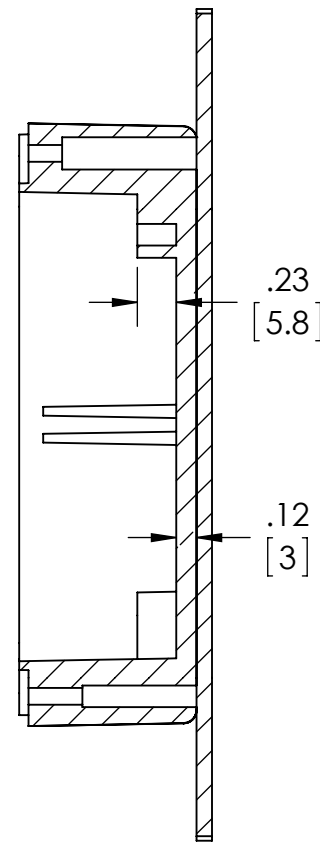
UPDATE REPLACES PART NO. AN-2800 & AN-2800-B

DRAWING FOR REFERENCE
WE RESERVE THE RIGHT TO MAKE CHANGES TO OUR STANDARD PRODUCTS. PLEASE CONSULT WITH BUD INDUSTRIES PRIOR TO USING THIS DRAWING FOR DESIGN PURPOSE.



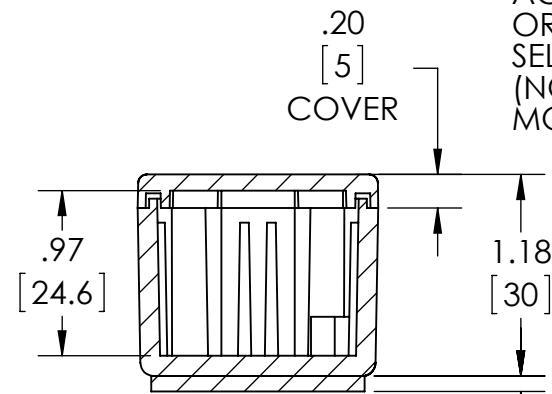
BODY COVER NOT SHOWN

Ø.193 (2X) [4.9]
ACCEPTS #10 SCREW (NOT SUPPLIED)



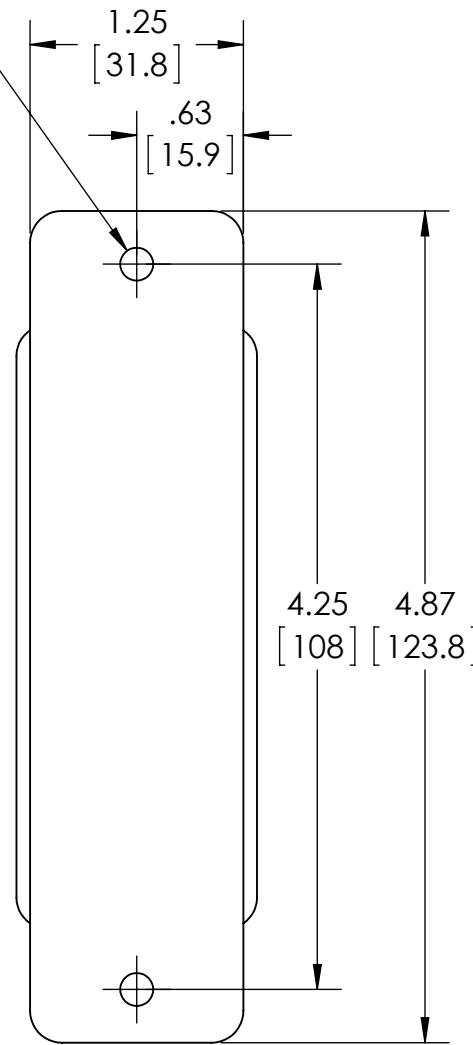
SECTION A-A

Ø.126 x .228 DEEP (2X) [3.2] [5.8]
ACCEPTS M3.5 x 6mm LG. OR #6 x 1/4" LG. SELF-TAPPING SCREW (NOT SUPPLIED - FOR PCB MOUNTING)

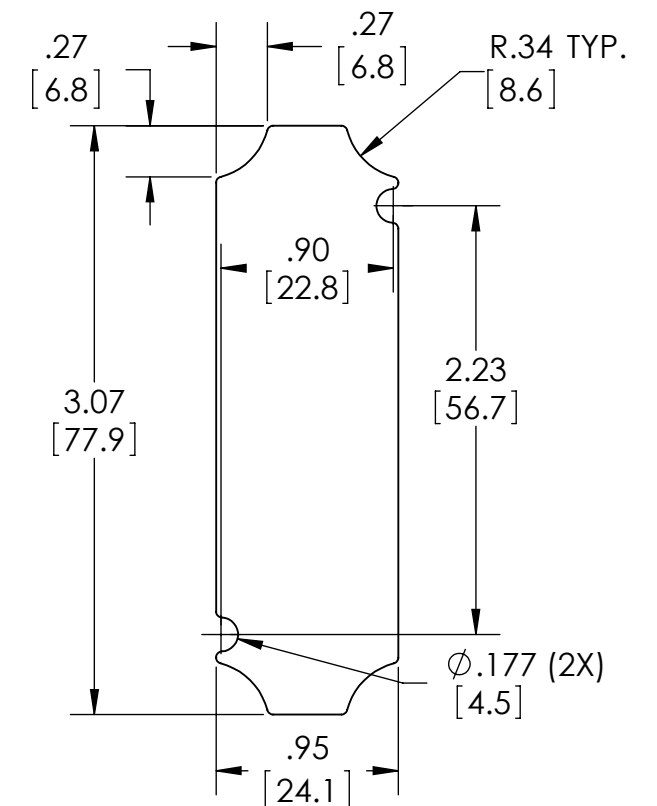
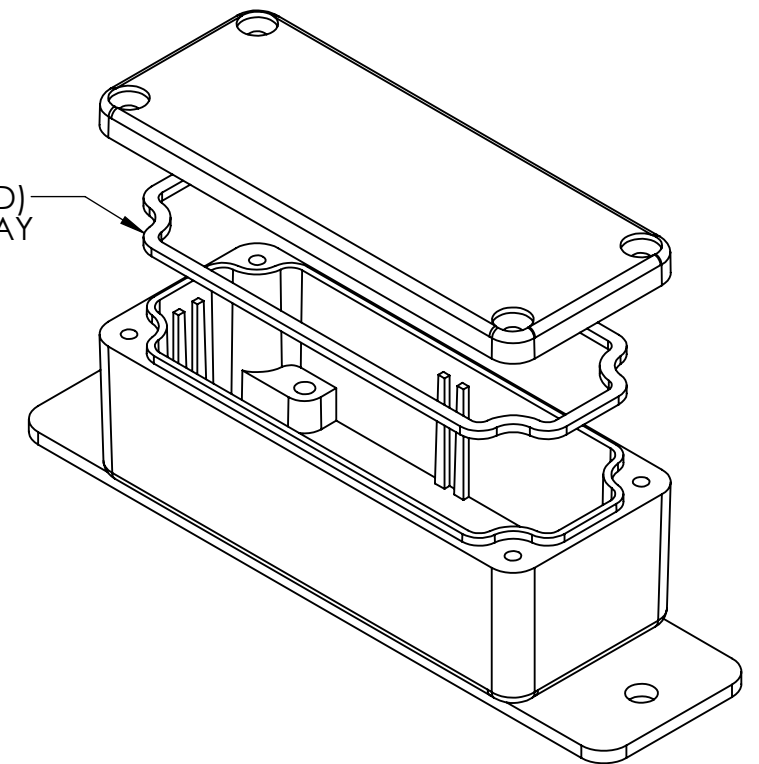


SECTION B-B

.09 REF. [2.3]



GASKET (NOT INSTALLED) MOLDED SILICONE GRAY



OPTIONAL INTERNAL PANEL AND SUGGESTED PC BOARD LAYOUT

MATERIAL: BODY & COVER - ALUMINUM ALLOY #ADC-12
MOUNTING BRACKET - .09 THK. ALUMINUM (3003-H14)

FINISH: NATURAL (SUFFIX -A)
SMOOTH BLACK POWDERCOAT (SUFFIX -AB)

FOUR (4) M3x0.5 x 10mm (.39") LG. 90° CSK. HEAD STAINLESS STEEL SCREWS SUPPLIED FOR ASSEMBLY OF COVER TO BODY. APPLY AT 12 IN./LB. OF TORQUE.

OUTSIDE AND INSIDE DRAFT ANGLE: 1°
DIMENSIONS IN INCH[MM]

OPTIONAL ACCESSORIES:
PCB MOUNTING KIT #57-58
INTERNAL PANEL #ANX-91300
REPLACEMENT GASKET #1300GSKTSC