

PART  
NAME

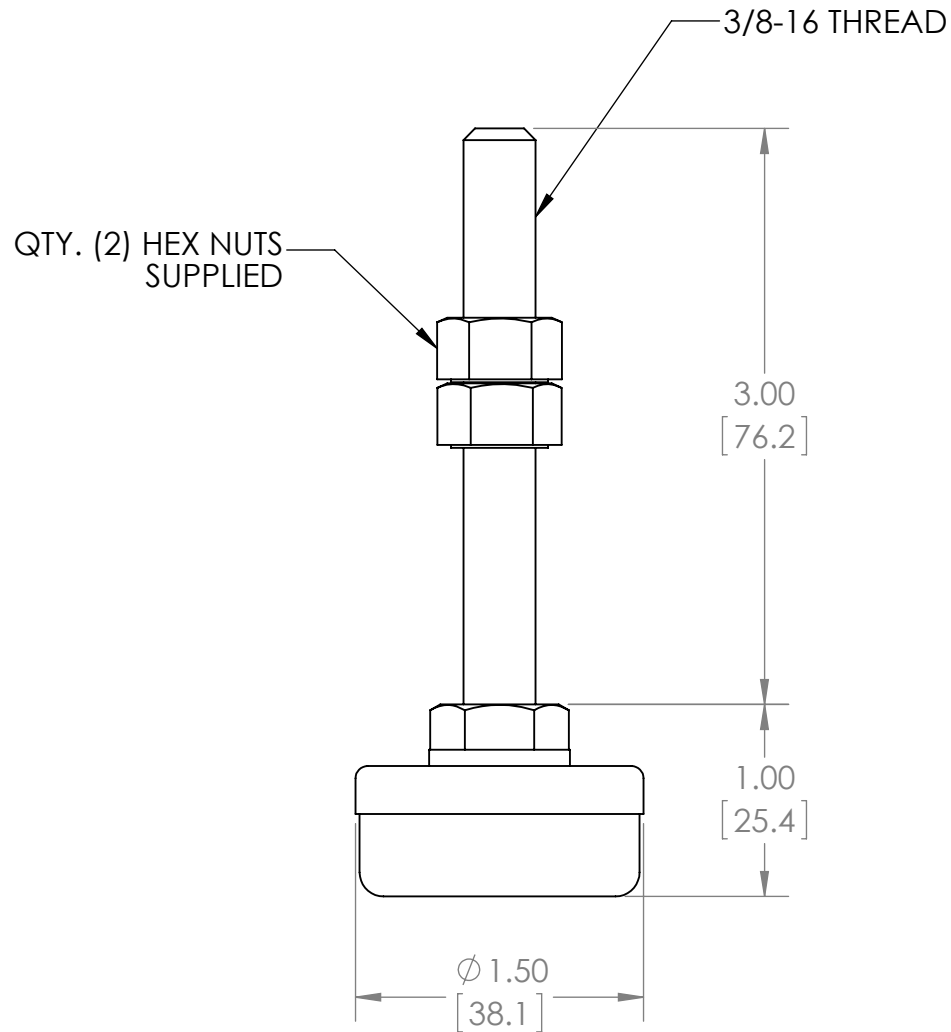
STEM LEVELER

PART  
No.

RL-7766

REV.  
DATE

7-24-13



MATERIAL:  
STEM & CAP, HEX NUTS - STEEL  
PAD - RUBBER

FINISH:  
STEM & CAP - ZINC PLATE WITH  
CLEAR CHROMATE  
HEX NUTS - ZINC PLATE  
PAD - GREY

LOAD RATING: 200 LBS. [90 KG.]

