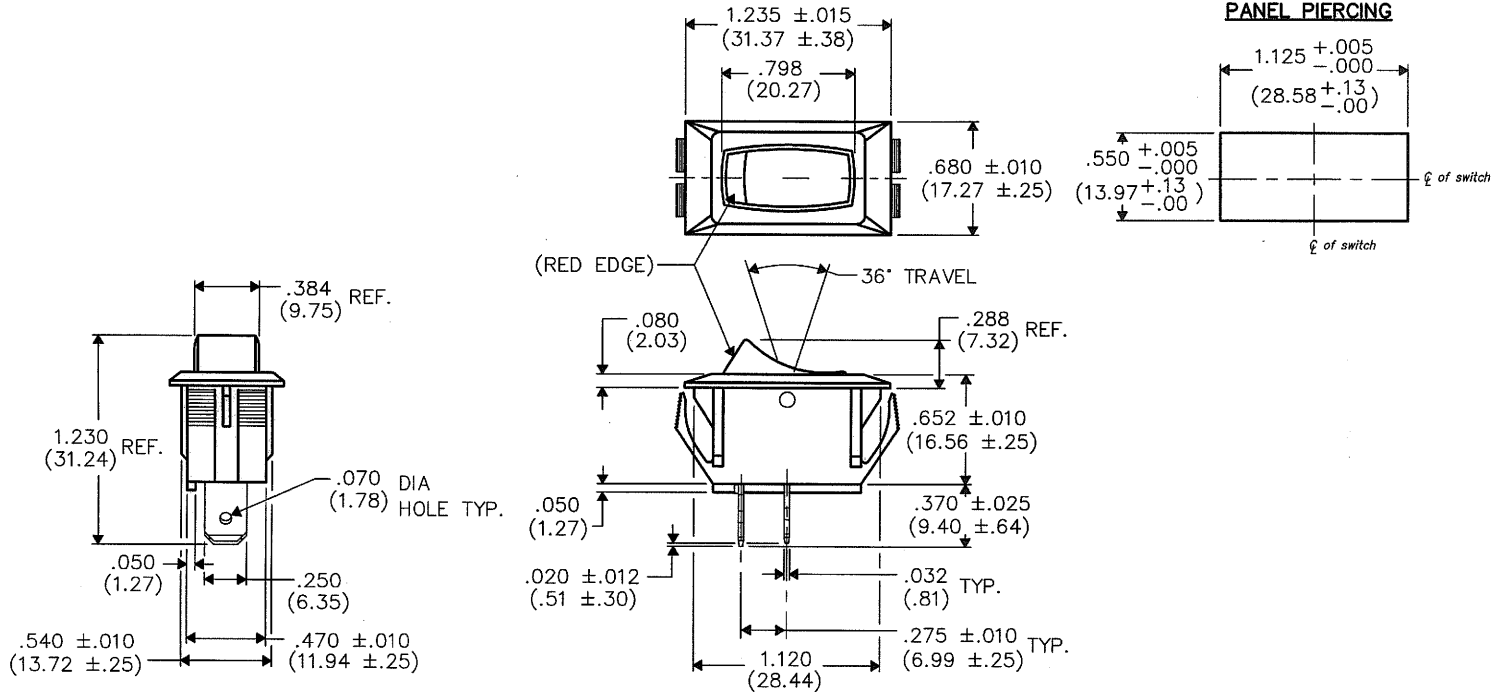


DIMENSIONS IN INCHES (MILLIMETERS)
DO NOT SCALE DRAWING

Dwg. No.

NAA-111-BI31-00

E
D
C
B
A



1 2 3 4 5 6 7 8 9 10

FORM-B4
REVISIONS
RELEASED: 8-13-2008
DCW
AUG 15 2008

CW INDUSTRIES
Southampton, Pa. 18966

TOLERANCES UNLESS OTHERWISE SPECIFIED
2 Place Decimal ±.010 METRIC
3 Place Decimal ±.005 1 Place Dec. ±.25mm
Angles ±1' 2 Place Dec. ±.13mm

Made for: CW IND.
Drawn by: DGW 8-13-2008
Checked by: G. Guld 8-14-08
Approval: G. Guld 8-14-08

Title: INDICON
UNIBODY SWITCH
ASSEMBLY
1.125" x .550" PANEL

Division: SWTCH
Dwg. No. NAA-111-BI31-00

MASTER