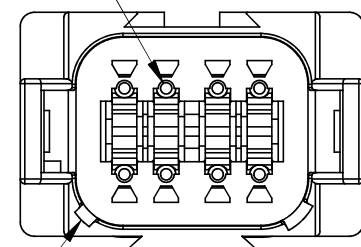


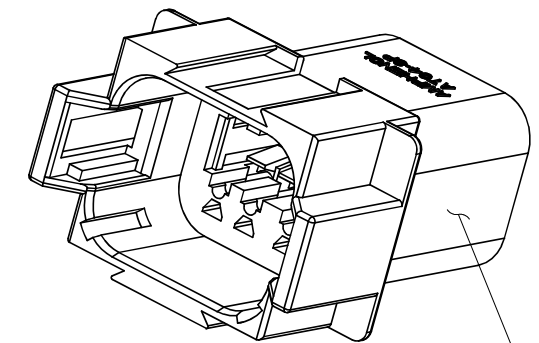
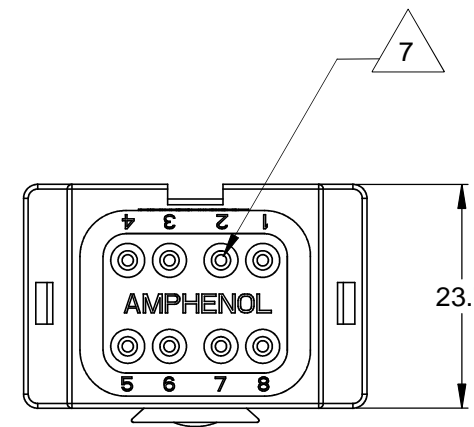
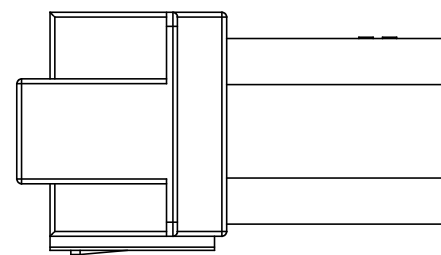
| REVISIONS |     |                            |         |       |      |
|-----------|-----|----------------------------|---------|-------|------|
| REV       | ECO | DESCRIPTION                | DATE    | BY    | APPR |
| A3        | -   | RELEASE NEW DRAWING FORMAT | 27DEC13 | JARRY | -    |



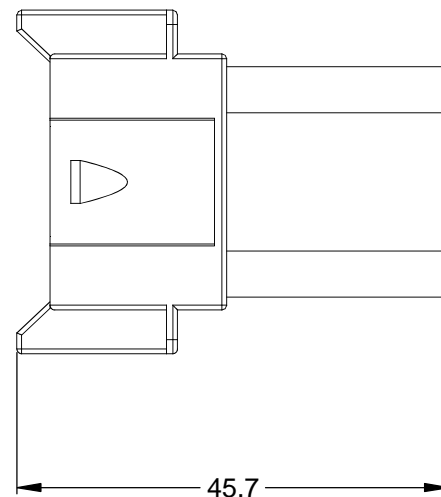
REQUIRES CONTACT RETENTION WEDGE AW8P



1 KEYWAY (2) PLACES



1 REFER TO SHEET 2 FOR AVAILABLE CONNECTOR COLORS



NOTES: UNLESS OTHERWISE SPECIFIED

1 SEE SHEET 2 FOR KEY ARRANGEMENTS AND COLORS.

2. MATERIAL:  
HOUSING: THERMOPLASTIC  
SEAL: SILICONE RUBBER

3. MODIFICATIONS: N/A

4. SPECIFICATIONS:  
4.1 CURRENT RATING: 13 AMPS  
4.2 OPERATING TEMPERATURE: -55°C TO +125°C  
4.3 DIELECTRIC WITHSTANDING VOLTAGE: LESS THAN 2 MILLIAMPS CURRENT LEAKAGE @ 1500 VOLTS AC.  
4.4 INSULATION RESISTANCE: 1000 MEGOHMS MIN @ 25°C.  
4.5 MOISTURE RESISTANCE: IP67 ( MATED CONDITION )  
4.6 MATING CYCLE DURABILITY: 100 CYCLES  
4.7 RoHS COMPLIANT

5. MATING PART: AT06-08SX\* PLUG  
( X = A,B,C,D KEYS; \* = MODIFICATIONS AND COLORS )

6. ALL DIMENSIONS ARE FOR REFERENCE USE ONLY.

7 CONTACT SIZE AND REAR SEAL WIRE RANGE:

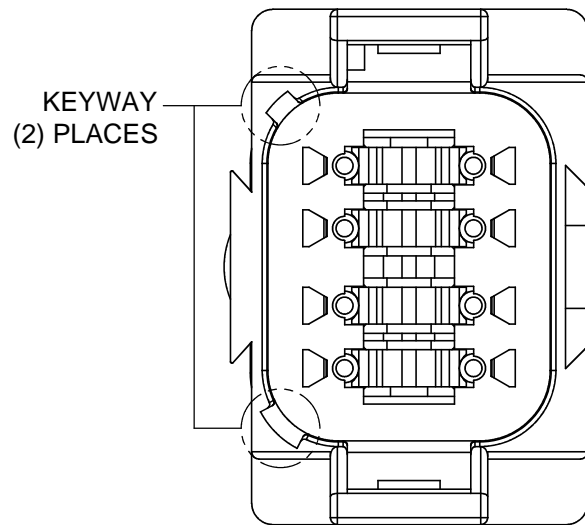
| CONTACT SIZE | MIN. INSUL O.D.   | MAX. INSUL O.D.   | TYPICAL WIRE RANGE |
|--------------|-------------------|-------------------|--------------------|
| 16           | 2.24 mm (.088 in) | 3.68 mm (.145 in) | 14 - 20 AWG        |

TITLE: RECEPTACLE 8 PIN AT SERIES, KEYED  
DWG NO.: AT04-08PX-XXX  
REV: A3  
SH: 1  
OF: 2

| QUANTITY   | SEE SHEET 2 PART NUMBER | DESCRIPTION   | ITEM            |
|--|-------------------------|---|-----------------|
| <b>MATERIALS LIST</b>  |                         |   |                 |
| UNLESS OTHERWISE SPECIFIED<br>1) All dimensions are in metric (mm).<br>2) Tolerances are as follows:<br>1 PL DEC ±0.30<br>2 PL DEC ±0.15<br>3 PL DEC ±0.08<br>Fractions ±1/64<br>Angles ±1°<br>3) Note reference = X |                         | SIGNATURES<br>DRAWN: JARRY<br>CHECKED:<br>ENGINEER:<br>APPROVAL:  | DATE<br>27DEC13 |
| MATERIAL SPECIFICATIONS:   |                         | <h1>Amphenol</h1><br>Sine Systems - www.amphenol-sine.com<br>44724 Morley Drive<br>Clinton Township, MI 48036   |                 |
| PROCESS SPECIFICATIONS:  |                         |   |                 |
| NEXT ASSY:   |                         | CUSTOMER:<br><br>THIS DRAWING IS SUPPLIED FOR INFORMATION ONLY. DESIGN FEATURES, SPECIFICATIONS AND PERFORMANCE DATA SHOWN HEREON ARE THE PROPERTY OF THE AMPHENOL CORPORATION. NO RIGHTS OF REPRODUCTION ARE IMPLIED. ALL DIMENSIONS ARE SUBJECT TO NORMAL MANUFACTURING VARIATIONS. |                 |
| SCALE: NONE  |                         | SIZE: B C-<br>DWG NO.: AT04-08PX-XXX<br>REVISION: A3  | SHEET 1 OF 2    |

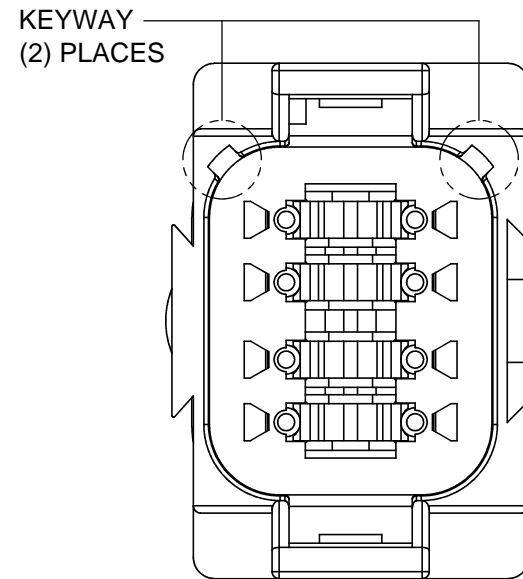
| REVISIONS |     |                            |         |       |      |
|-----------|-----|----------------------------|---------|-------|------|
| REV       | ECO | DESCRIPTION                | DATE    | BY    | APPR |
| A3        | -   | RELEASE NEW DRAWING FORMAT | 27DEC13 | JARRY | -    |

P/N AT04-08P  
KEY-A CONFIGURATION  
STANDARD COLOR: GREY



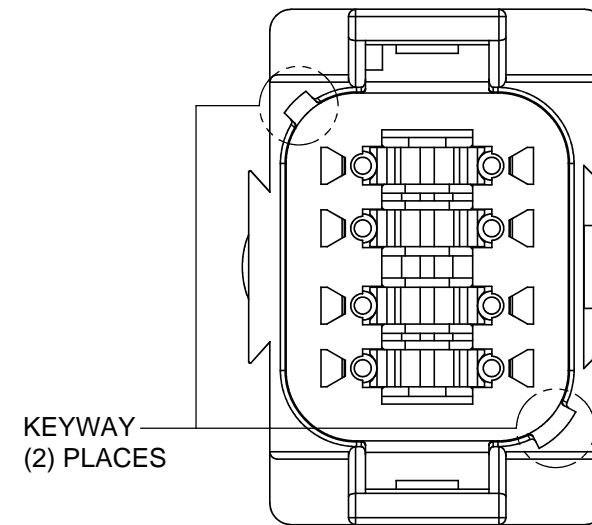
| KEY-A CONFIGURATION |                  |
|---------------------|------------------|
| COLOR               | PART NUMBER      |
| <b>* GREY</b>       | <b>AT04-08PA</b> |
| BLACK               | AT04-08PA-BLK    |
| GREEN               | AT04-08PA-GRN    |
| BROWN               | AT04-08PA-BRN    |

P/N AT04-08PB  
KEY-B CONFIGURATION  
STANDARD COLOR: BLACK



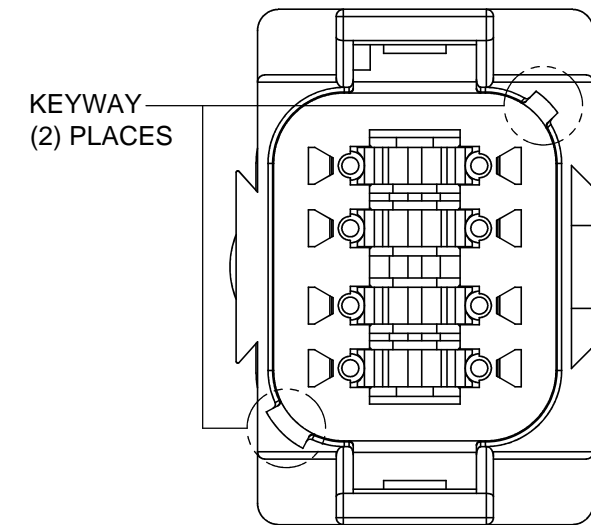
| KEY-B CONFIGURATION |                  |
|---------------------|------------------|
| COLOR               | PART NUMBER      |
| GREY                | AT04-08PB-GRY    |
| <b>* BLACK</b>      | <b>AT04-08PB</b> |
| GREEN               | AT04-08PB-GRN    |
| BROWN               | AT04-08PB-BRN    |

P/N AT04-08PC  
KEY-C CONFIGURATION  
STANDARD COLOR: GREEN



| KEY-C CONFIGURATION |                  |
|---------------------|------------------|
| COLOR               | PART NUMBER      |
| GREY                | AT04-08PC-GRY    |
| BLACK               | AT04-08PC-BLK    |
| <b>* GREEN</b>      | <b>AT04-08PC</b> |
| BROWN               | AT04-08PC-BRN    |

P/N AT04-08PD  
KEY-D CONFIGURATION  
STANDARD COLOR: BROWN



| KEY-D CONFIGURATION |                  |
|---------------------|------------------|
| COLOR               | PART NUMBER      |
| GREY                | AT04-08PD-GRY    |
| BLACK               | AT04-08PD-BLK    |
| GREEN               | AT04-08PD-GRN    |
| <b>* BROWN</b>      | <b>AT04-08PD</b> |

NOTE:

AN ASTERISKS ( \* ) PLACED BEFORE THE COLOR DENOTES THE STANDARD MOLDED COLOR OF THE CONNECTORS SHOWN ABOVE.

OTHER COLORS SHOWN ARE AVAILABLE VIA SPECIAL ORDER.

| QUANTITY   | PART NUMBER | DESCRIPTION  | ITEM   |
|--|-------------|--|--|
| <b>MATERIALS LIST</b>  |             |  |  |
| UNLESS OTHERWISE SPECIFIED<br>1) All dimensions are in metric(mm).<br>2) Tolerances are as follows:<br>1 PL DEC ±0.30<br>2 PL DEC ±0.15<br>3 PL DEC ±0.08<br>3) Note reference = $\triangle$ X |             | SIGNATURES<br>DRAWN: JARRY<br>CHECKED:<br>ENGINEER:<br>APPROVAL:   | DATE<br>27DEC13  |
| MATERIAL SPECIFICATIONS:   |             | <div style="text-align: center;"> <h1>Amphenol</h1> <p>Sine Systems - www.amphenol-sine.com<br/>44724 Morley Drive<br/>Clinton Township, MI 48036</p> <p>RECEPTACLE, 8 PIN, AT SEIRES<br/>KEYED</p> </div>   |  |
| PROCESS SPECIFICATIONS:  |             |  |  |
| NEXT ASSY:   |             | THIS DRAWING IS SUPPLIED FOR INFORMATION ONLY. DESIGN FEATURES, SPECIFICATIONS AND PERFORMANCE DATA SHOWN HEREON ARE THE PROPERTY OF THE AMPHENOL CORPORATION. NO RIGHTS OF REPRODUCTION ARE IMPLIED. ALL DIMENSIONS ARE SUBJECT TO NORMAL MANUFACTURING VARIATIONS. | SIZE: <b>B C-</b><br>TYPE: <b>C-</b><br>DWG NO.: <b>AT04-08PX-XXX</b><br>REVISION: <b>A3</b> |
|  |             | SCALE: <b>NONE</b>   | SHEET <b>2</b> OF <b>2</b>   |

TITLE: RECEPTACLE, 8 PIN, AT SERIES, KEYED  
DWG NO.: AT04-08PX-XXX  
REV: A3  
SH: 2  
OF: 2

# AT Series™ - Contact Size 16 Options

| Machined Contacts, Sockets & Pins |  |      |       |          |
|-----------------------------------|--|------|-------|----------|
| Part Number                       | Description                            | Size | AWG   | Type     |
| AT60-215-1631                     | Male Contact - Pin, Gold-plated        | 16   | 14    | Machined |
| AT62-209-1631                     | Female Contact - Socket, Gold-plated   | 16   | 14    | Machined |
| AT60-215-16141                    | Male Contact - Pin, Nickel-plated      | 16   | 14    | Machined |
| AT62-209-16141                    | Female Contact - Socket, Nickel-plated | 16   | 14    | Machined |
| AT60-202-1631                     | Male Contact - Pin, Gold-plated        | 16   | 16-20 | Machined |
| AT62-201-1631                     | Female Contact - Socket, Gold-plated   | 16   | 16-20 | Machined |
| AT60-202-16141                    | Male Contact - Pin, Nickel-plated      | 16   | 16-20 | Machined |
| AT62-201-16141                    | Female Contact - Socket, Nickel-plated | 16   | 16-20 | Machined |
| AT60-202-1631-22                  | Male Contact - Pin, Gold-plated        | 16   | 22-24 | Machined |
| AT62-201-1631-22                  | Female Contact - Socket, Gold-plated   | 16   | 22-24 | Machined |
| AT60-202-16141-22                 | Male Contact - Pin, Nickel-plated      | 16   | 22-24 | Machined |
| AT62-201-16141-22                 | Female Contact - Socket, Nickel-plated | 16   | 22-24 | Machined |

| Tooling - Machined Contacts   |             |   |
|---|-------------|---|
| Part  | Part Number | Description   |
|  | CA-5D12     | Universal Hand Crimp Tool, Size 12/16/20 (Machined contacts only) |
|  | CA-5E12     | Pneumatic Crimp Tool, Size 12/16/20 (Machined contacts only)      |

| Contact Removal Tools   |               |   |
|---|---------------|---|
| Part  | Part Number   | Description   |
|  | ATRT-100      | Used for removal of contacts for A Series™ products |
|  | AT11-310-1605 | Contact Removal Tool, Plastic, Size 16              |
|  | A114017       | Sealing Plug, Size 16, White                        |

| Stamped & Formed Contacts, Sockets & Pins |  |      |       |                  |
|---|--|------|-------|------------------|
| Part Number                               | Description                            | Size | AWG   | Type             |
| AT60-14-0144                              | Male Contact - Pin, Gold-plated        | 16   | 14-16 | Stamped & Formed |
| AT62-14-0144                              | Female Contact - Socket, Gold-plated   | 16   | 14-16 | Stamped & Formed |
| AT60-14-0122                              | Male Contact - Pin, Nickel-plated      | 16   | 14-16 | Stamped & Formed |
| AT62-14-0122                              | Female Contact - Socket, Nickel-plated | 16   | 14-16 | Stamped & Formed |
| AT60-16-0144                              | Male Contact - Pin, Gold-plated        | 16   | 16-18 | Stamped & Formed |
| AT62-16-0144                              | Female Contact - Socket, Gold-plated   | 16   | 16-18 | Stamped & Formed |
| AT60-16-0122                              | Male Contact - Pin, Nickel-plated      | 16   | 16-18 | Stamped & Formed |
| AT62-16-0122                              | Female Contact - Socket, Nickel-plated | 16   | 16-18 | Stamped & Formed |
| AT60-16-0644                              | Male Contact - Pin, Gold-plated        | 16   | 18-20 | Stamped & Formed |
| AT62-16-0644                              | Female Contact - Socket, Gold-plated   | 16   | 18-20 | Stamped & Formed |
| AT60-16-0622                              | Male Contact - Pin, Nickel-plated      | 16   | 18-20 | Stamped & Formed |
| AT62-16-0622                              | Female Contact - Socket, Nickel-plated | 16   | 18-20 | Stamped & Formed |
| AT60-16-0844                              | Male Contact - Pin, Gold-plated        | 16   | 20-22 | Stamped & Formed |
| AT62-16-0844                              | Female Contact - Socket, Gold-plated   | 16   | 20-22 | Stamped & Formed |
| AT60-16-0822                              | Male Contact - Pin, Nickel-plated      | 16   | 20-22 | Stamped & Formed |
| AT62-16-0822                              | Female Contact - Socket, Nickel-plated | 16   | 20-22 | Stamped & Formed |

| Tooling - Stamped & Formed Contacts   |             |   |
|---|-------------|---|
| Part  | Part Number | Description   |
|   | MFX-3950    | Crimp Die - Size 16, 18-20AWG (S&F contacts only)       |
|   | MFX-3953    | Crimp Die - Size 16, 16-18AWG (S&F contacts only)       |
|   | MFX-3975    | Crimp Die - Size 16, 14-16AWG (S&F contacts only)       |
|   | MFX-3990    | Crimp Die - Size 16, 20-22AWG (S&F contacts only)       |
|  | ATT-16-00   | Hand Crimp Tool - Size 16, 14-16AWG (S&F contacts only) |
|   | ATT-16-01   | Hand Crimp Tool - Size 16, 18-20AWG (S&F contacts only) |
|   | ATT-1612-03 | Hand Crimp Tool - Size 16, 20-22AWG (S&F contacts only) |

**Amphenol Sine Systems**  
 44724 Morley Drive  
 Clinton Township, MI 48036 USA  
[www.amphenol-sine.com](http://www.amphenol-sine.com)  
 09/2021