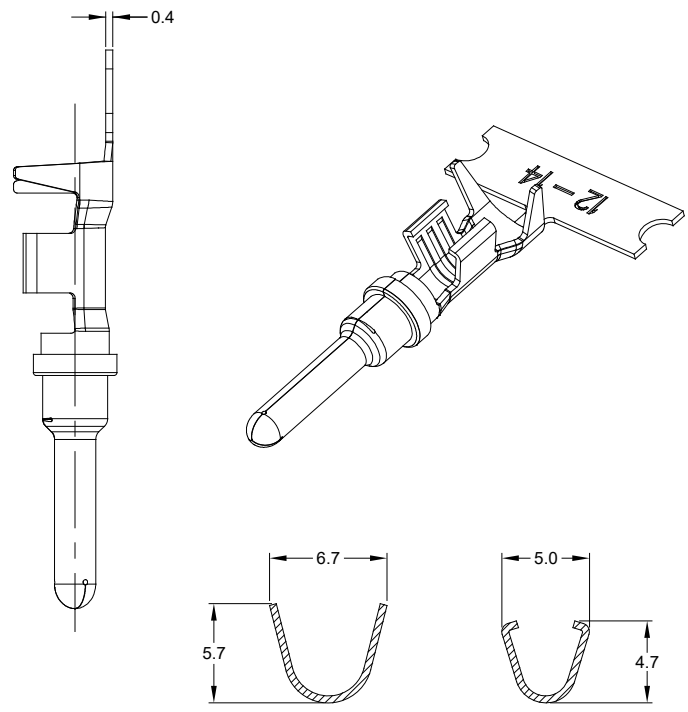
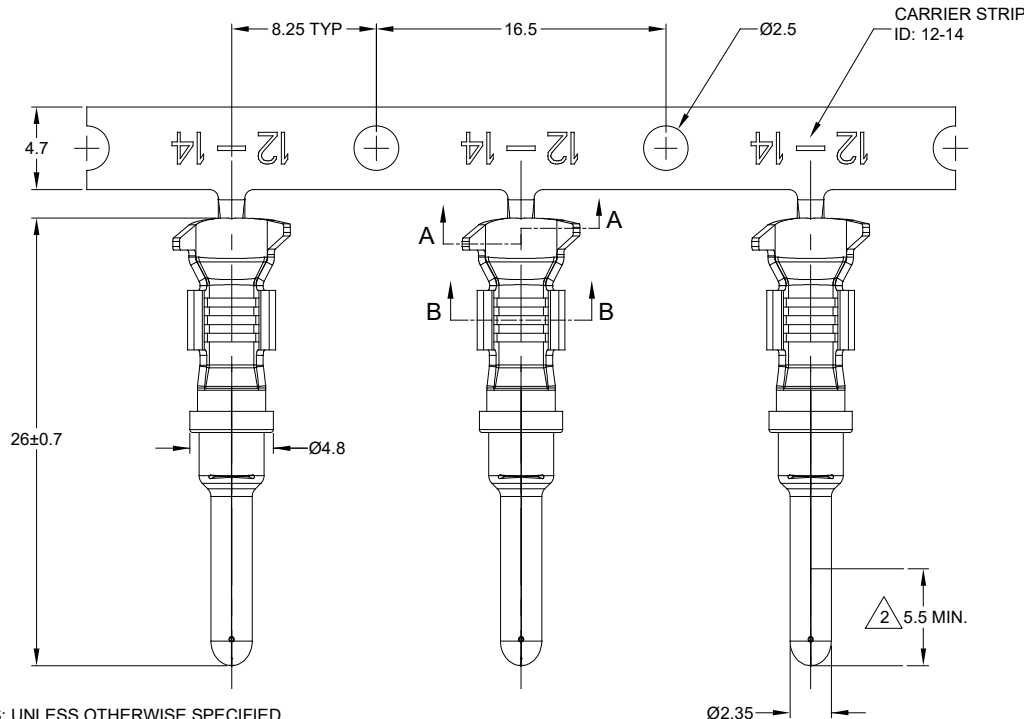
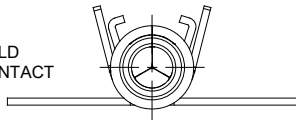


REVISIONS					
REV	ECO	DESCRIPTION	DATE	BY	APPR
A3	--	RELEASE NEW DWG FORMAT	21/OCT/13	DRP	-
A4	--	REVISED PLATING INFO	16/JUN/16	JAH	-
A5	C1070S	UPDATE DRAWING	21/JUN/19	JOE	TOMMY



- NOTES: UNLESS OTHERWISE SPECIFIED
- MATERIAL: COPPER ALLOY
 - PLATING: SEE PART NUMBER CHART
*FOR GOLD PLATED CONTACTS: SELECTIVE GOLD FLASH IN CONTACT ZONE ONLY OR ENTIRE CONTACT
 - CONTACT SIZE: 12
 - SPECIFICATIONS:
 - CURRENT RATING: 25 AMPS
 - CONTACT MILLIVOLT DROP: 100 MILLIVOLT DROP @ 25 AMP TEST CURRENT.
 - RoHS COMPLIANT
 - RECOMMENDED WIRE RANGE: 12 - 14 AWG
 - PACKAGE: 2000 PCS/REEL
 - AVAILABLE APPLICATORS: MFX-3973-K OR MFX-3973-G
 - ALL DIMENSIONS ARE FOR REFERENCE USE ONLY



PART NUMBER CHART	
PLATING	PART NUMBER
NICKEL	AT60-12-0166
GOLD	AT60-12-0144

SEE PART NUMBER CHART		REF: 1050-12-0144, 1050-12-0166	
PART NUMBER		DESCRIPTION	
QUANTITY	MATERIALS LIST		
UNLESS OTHERWISE SPECIFIED: 1) All dimensions are in metric (mm). 2) Tolerances are as follows: 1 PL DEC ±0.30 2 PL DEC ±0.15 3 PL DEC ±0.08 Fractions ±1/64 Angles ±1°		SIGNATURES	DATE
3) Note reference =		DRAWN: JOE SONG	21/JUN/19
MATERIAL SPECIFICATIONS:		CHECKED: ORION LI	21/JUN/19
PROCESS SPECIFICATIONS:		ENGINEER:	
NEXT ASSY:		APPROVAL: TOMMY XIE	21/JUN/19
THIS DRAWING IS SUPPLIED FOR INFORMATION ONLY. DESIGN FEATURES, SPECIFICATIONS AND PERFORMANCE DATA SHOWN HEREON ARE THE PROPERTY OF THE AMPHENOL CORPORATION. NO RIGHTS OF REPRODUCTION ARE IMPLIED. ALL DIMENSIONS ARE SUBJECT TO NORMAL MANUFACTURING VARIATIONS.		CUSTOMER:	
Amphenol		Sine Systems - www.amphenol-sine.com 44724 Morley Drive Clinton Township, MI 48036	
CONTACT, PIN, STAMPED, SIZE 12, 12-14 AWG, A SERIES		SIZE: B C-	TYPE: DWG NO: AT60-12-01XX
SCALE: NONE		REVISION: A5	SHEET 1 OF 1

TITLE: PIN, STAMPED, SIZE 12, 12-14 AWG, A SERIES
DWG NO: AT60-12-01XX
REV: A5
SH: 1
OF: 1