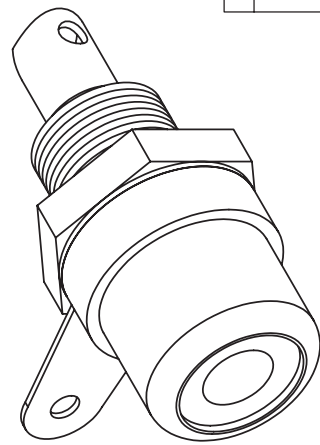
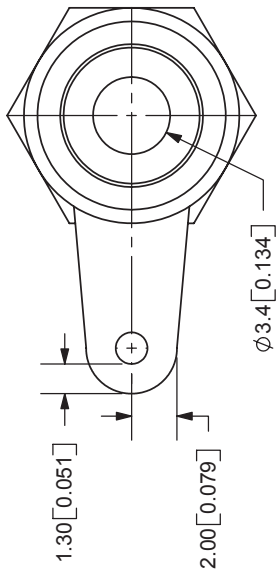
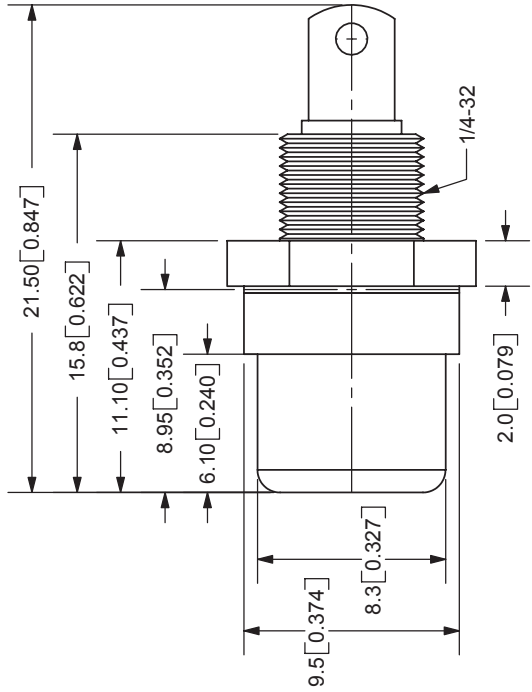
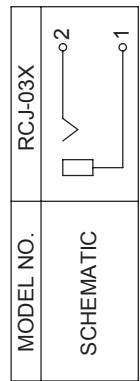


REV.	DESCRIPTION	DATE
A	NEW DRAWING	4/11/2006



COLOR INDEX	
PART NO.	COLOR
RCJ-031	Black
RCJ-032	Red
RCJ-033	White
RCJ-034	Yellow
RCJ-035	Blue
RCJ-036	Green
RCJ-037	Orange




 TOLERANCE:
 ±0.3mm UNLESS OTHERWISE
 SPECIFIED


 9615 SW Allen Blvd., Ste. 103
 Beaverton, OR 97005
 Phone: 503-643-4899
 800-275-4899
 Fax: 503-372-1266
 Website: www.cui.com

MATERIAL	PLATING
Brass	Nickel
Brass	Nickel
Brass	Nickel
Brass	Nickel
PBT	See Color Index
PBT	See Color Index

EARTH TERMINAL (1)	RCJ-03X
TERMINAL (2)	o-2
BODY SHELL	o-1
NUT	
INSULATOR	
BUSHING	

SPECIFICATIONS:
 CONTACT RESISTANCE: 30m OHMS MAX
 INSULATION RESISTANCE: 100M OHMS MIN: 500V DC
 VOLTAGE WITHSTAND: 500V AC R.M.S. FOR 1 MINUTE
 LIFE: 5,000 CYCLES
 OPERATING TEMP: -20° ~ +85°C

PC FILE NAME:	RCJ-03X
TITLE:	RCJ JACK, PANEL MOUNT W/NUT
REV:	A
PART NO:	RCJ-03X
UNITS:	MM [INCHES]
DRAWN BY:	ZRJ
APPROVED BY:	
SCALE:	3:1

COPYRIGHT 2006 BY CUI INC.