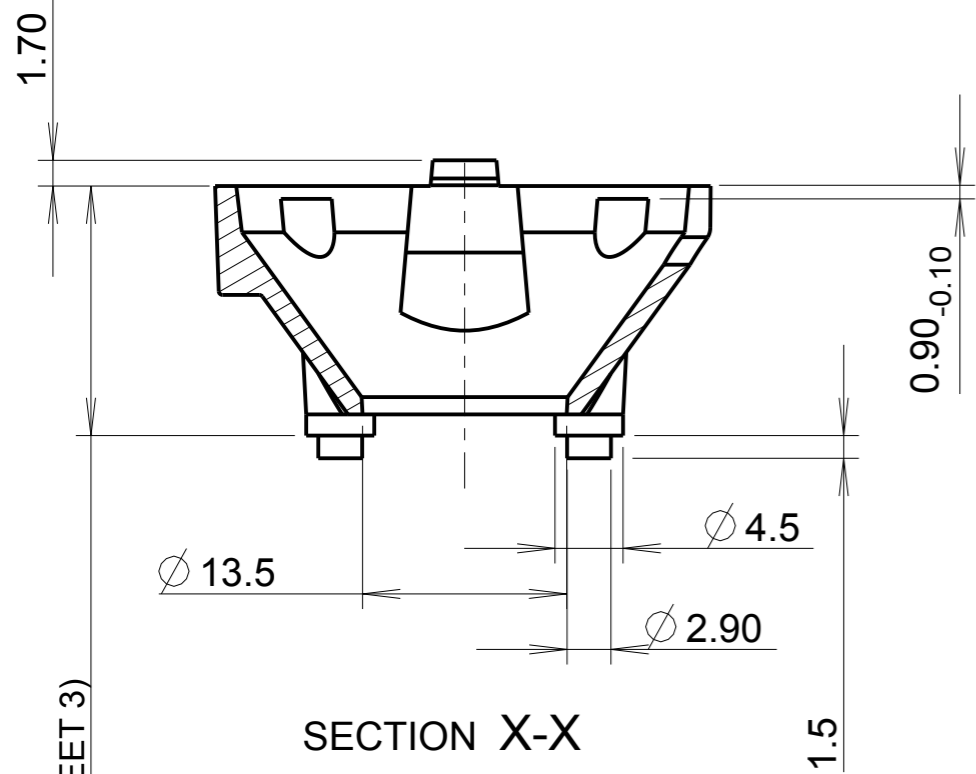
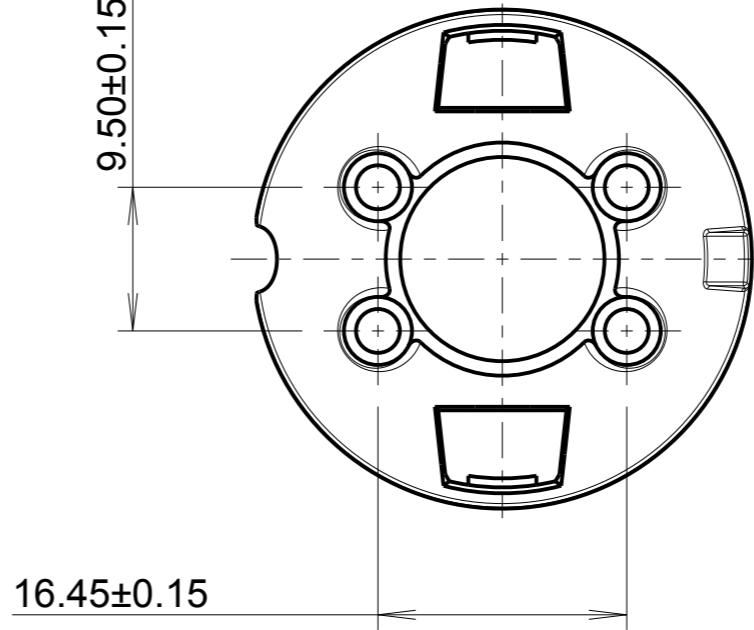
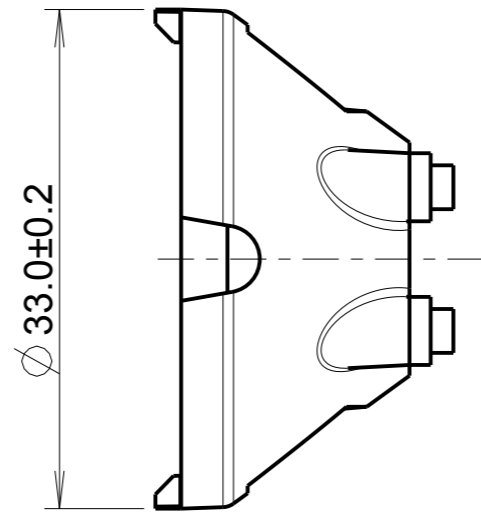
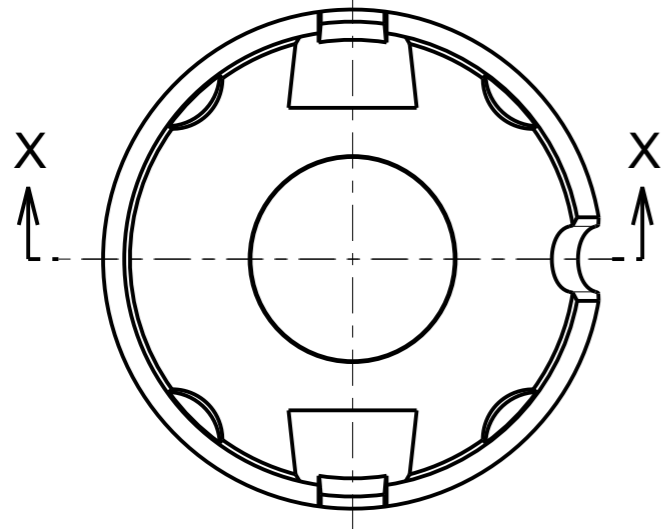
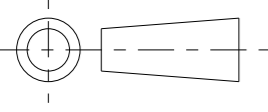


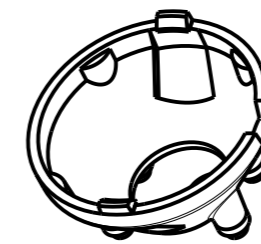
# CUSTOMER DRAWING SHEET 2 & 3

©2011 CTP-COIL  
ALL DIMENSIONS IN mm



DIM. A (SEE SHEET 3)

SECTION X-X



GENERAL 3D VIEW  
SCALE 1:1

NOTES:

1. MATERIAL: POLYCARBONATE
2. COLOUR: SEE TABLE ON SEPARATE SHEET

ISS.	DATE	E.C.N.	DESCRIPTION
1	11-Feb-09		FIRST ISSUE
1A	02-March-11		#10962 ADDED
1B	17-March-11	03/11/1290	NOTE CHANGE DIM CHANGE
1C	26-Sep-11	09/11/1309	PART NUMBERS ADDED



CARCLO TECHNICAL PLASTICS  
103 BUCKINGHAM AVE, SLOUGH  
SL1 4PF, ENGLAND  
TEL: +44 1753 575011 FAX: +44 1753 811359  
email: design@carclo-optics.com

GENERAL TOLERANCES (UNLESS STATED)

LINEAR		ANGULAR	
X	+/- 0.25	X	+/- 1°
X.X	+/- 0.1	X.X	+/- 0.5°
X.XX	+/- 0.05	X.XX	+/- 0.1°

CUSTOMER

TITLE

30.0 MM DIA OPTIC  
4 LEG HOLDER

DRAWN

MKI

DATE

11-Feb-09

CHK'D

BB

DATE

27-Sep-11

APP'D

PW

DATE

27-Sep-11

SCALE

2:1

COIL PART No.

SEE TABLE ON  
SEPARATE SHEET 3

SIZE

A3

COIL DRG. No.

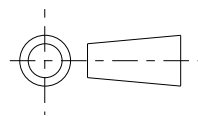
60584

SHEET

2 OF 3

ISS.	DATE	E.C.N.	DESCRIPTION
1C	27-Sep-11	09/11/1309	PART NUMBERS ADDED

© 2011 CARCLO PLC  
ALL DIMENSIONS IN mm



CARCLO TECHNICAL PLASTICS (SLOUGH)  
103 BUCKINGHAM AVE, SLOUGH  
SL1 4PF, ENGLAND  
TEL: +44 1753 575011 FAX: +44 1753 811359  
e-mail: design@carclo-optics.com

## CUSTOMER DRAWING SHEET 2 & 3

NOT ALL PARTS ARE AVAILABLE FROM STOCK.  
SOME PARTS ARE SPECIAL ORDER ONLY.

PLEASE CONTACT CARCLO FOR CURRENT AVAILABILITY

PARTS NUMBERS		
DIM A	BLACK HOLDERS	WHITE HOLDERS
15.3	10953	10954
15.5	10955	10956
15.7	10957	10958
15.9	10959	10960
16.1	10961	10962
16.3	10963	10964
16.5	10965	10966
16.7	10967	10968
16.9	10969	10970
17.1	10971	10972
17.3	10973	10974
17.5	10975	10976
17.7	10977	10978
17.9	10979	10980
18.1	10981	10982
18.3	10983	10984
18.5	10985	10986
18.7	10987	10988
18.9	10989	10990
19.1	10991	10992

### GENERAL TOLERANCES (UNLESS STATED)

LINEAR	ANGULAR
X +/- 0.25	X +/- 1°
X.X +/- 0.1	X.X +/- 0.5°
X.XX +/- 0.05	X.XX +/- 0.1°

CUSTOMER

CARCLO

TITLE

30.0MM DIA OPTIC  
4 LEG HOLDER

DRAWN

BB

DATE

27-Sep-11

CHK'D

FP

DATE

27-Sep-11

APP'D

PW

DATE

27-Sep-11

SCALE

2:1

COIL PART No.

SEE TABLE

SIZE

A4

COIL DRG. No.

60584

SHEET

3 OF 3