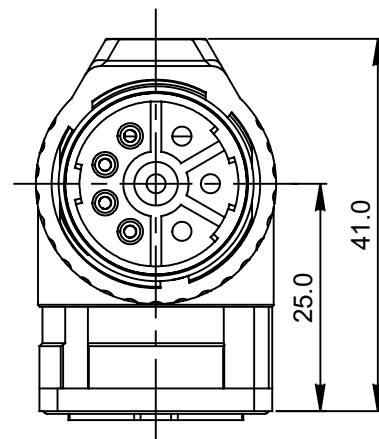
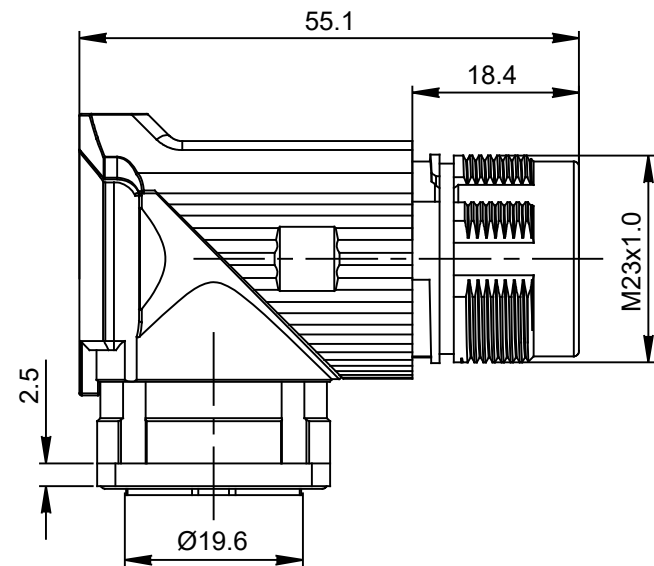
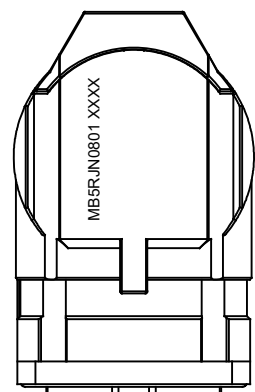


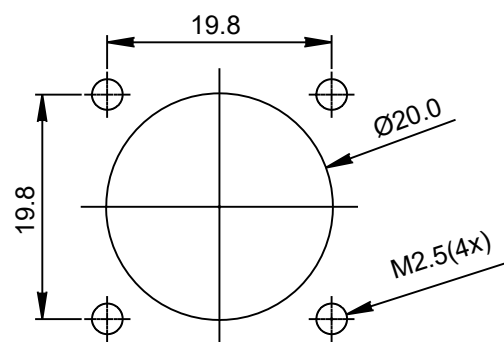
REVISIONS					
REV	ECO	DESCRIPTION	DATE	BY	APPR
A1	-	FIRST RELEASE	Jan.12.2018	White	Tommy
A2	-	ADDED ITEM 5 TO BDM.	12/15/2021	RD	RD



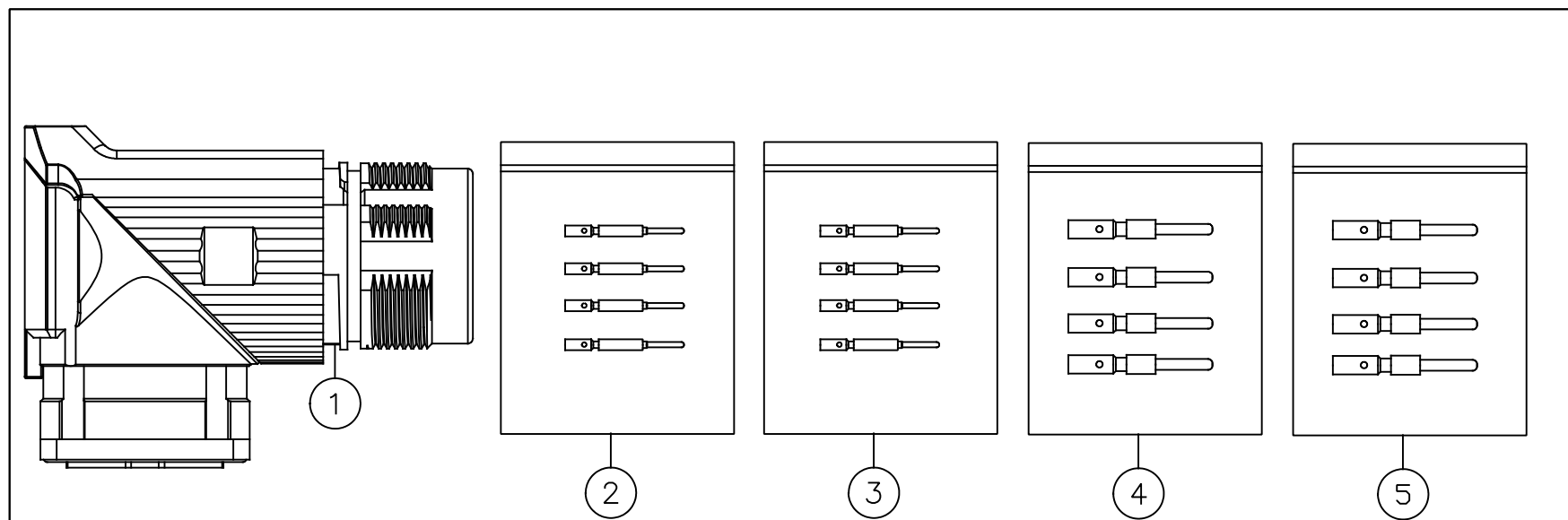
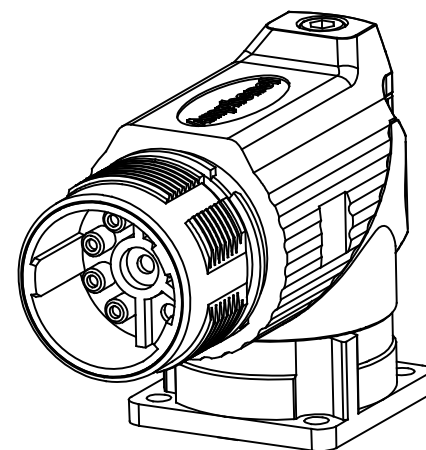
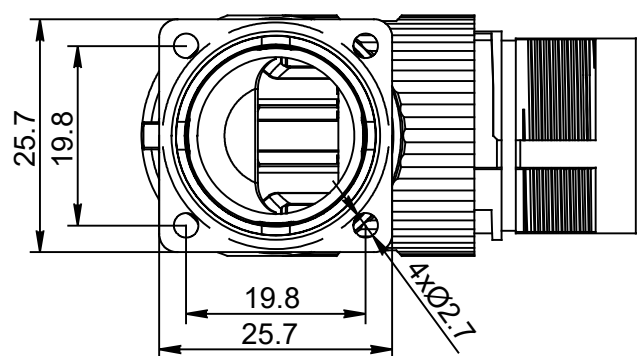
NOTES: UNLESS OTHERWISE SPECIFIED

- MATERIAL:
 - INSULATION INSERT :PA66,UL94 V0
 - SEAL: VITON
 - HOUSING BODY: ZINC DIE CAST, NICKEL PLATED
 - CONTACT: COPPER ALLOY, GOLD PLATED
- SPECIFICATIONS:
 - 2.1 CURRENT RATING: SIGNAL: 10 AMPS
POWER: 30AMPS
 - 2.2 VOLTAGE RATING: SIGNAL: 250V AC/DC
POWER: 630V AC/DC
 - 2.3 OPERATING TEMPERATURE: -20°C TO +130°C
 - 2.4 DIELECTRIC WITHSTANDING VOLTAGE: LESS THAN 2 MILLIAMPS CURRENT LEAKAGE @ SIGNAL: 2500VOLTS AC.
POWER: 6000 VOLTS AC.
 - 2.5 DEGREE OF PROTECTION: IP67 (MATED CONDITION)
 - 2.6 DEGREE OF POLLUTION: 3 PER UL840
 - 2.7 OVERVOLTAGE CATEGORY: III PER UL840
 - 2.8 MATING CYCLE DURABILITY: >500 CYCLES
 - 2.9 RoHS COMPLIANT

3. ALL DIMENSIONS ARE FOR REFERENCE USE ONLY.



MOUNTING HOLE



QUANTITY	PART NUMBER	DESCRIPTION	ITEM
4	SC000525	M23B ELITE SERIES,2.0MM PIN	5
4	SC000262	CONTACT, PIN, Ø2.0mm,CRIMP 14~18AWG	4
4	SC000386	CONTACT, PIN, Ø1.0mm,CRIMP 24~28AWG	3
4	SC000261	CONTACT, PIN, Ø1.0mm,CRIMP 18~22AWG	2
1	MB5RJN0801	CONNECTOR	1

MATERIALS LIST		
UNLESS OTHERWISE SPECIFIED 1) All dimensions are in metric(mm). 2) Tolerances are as follows: 1 PL DEC ±0.30 2 PL DEC ±0.15 3 PL DEC ±0.08 Fractions ±1/64 Angles ±1° 3) Note reference =		
SIGNATURES		DATE
DRAWN: White		Jan.12.2018
CHECKED: Tod		Jan.12.2018
ENGINEER:		
APPROVAL: Tommy		Jan.12.2018
CUSTOMER:		
MATERIAL SPECIFICATIONS:		
PROCESS SPECIFICATIONS:		
NEXT ASSY:		
Sine Systems - www.amphenol-sine.com 44724 Morley Drive Clinton Township, MI 48036		
KIT,M23B,REC.,RA,8POS(4+4),FLANGE MOUNT,CHECKMATE		
SIZE	TYPE	DWG NO.
B	C-	MB5RJN0801-KIT
SCALE: NONE		REVISION
		A2
SHEET 1 OF 1		

TITLE: KIT,M23B,REC.,RA,8POS(4+4),FLANGE MOUNT,CHECKMATE

DWG NO:

MB5RJN0801-KIT

REV: A2

SH: 1

OF: 1