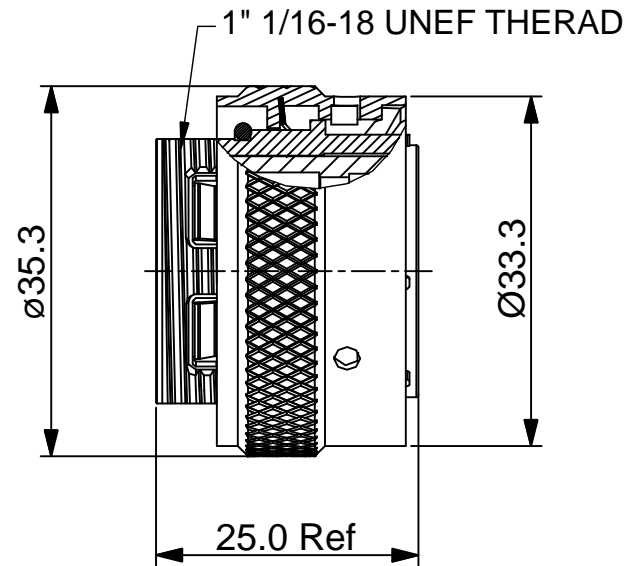
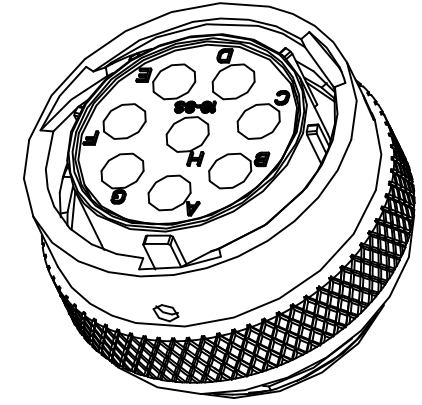
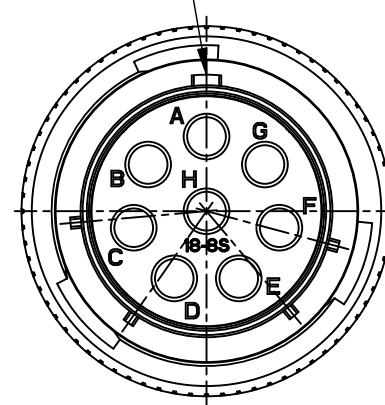


| REVISIONS |     |                  |             |     |       |
|-----------|-----|------------------|-------------|-----|-------|
| REV       | ECO | DESCRIPTION      | DATE        | BY  | APPR  |
| B1        | -   | RELEASED DRAWING | JUN-28-2014 | BEN | TOMMY |



MASTER KEYWAY



NOTES : (UNLESS OTHERWISE SPECIFIED)

- MATERIAL :  
SHELL : ZINC ALLOY , NICKEL PLATED.  
INSERT : THERMOPLASTIC , UL94 V-0.  
COUPLING NUT : AL ALLOY, NICKEL PLATED.  
WAVE WASHER : STAINLESS STEEL.  
O-RING : NBR.
- SPECIFICATIONS :  
2.1 RATED CURRENT : 23A (MAX).  
2.2 RATED VOLTAGE : 375V ( AC/DC ).  
2.3 OPERATING TEMPERATURE : -40°C ~ +105°C.  
2.4 DIELECTRIC WITHSTANDING VOLTAGE : LESS THAN  
2 MILLIAMPS CURRENT LEAKAGE@2000 VOLTS AC.  
2.5 INSULATION RESISTANCE : 5000 MEGOHMS MIN.  
2.6 IP--CLASS : IP67.  
2.7 MATING CYCLES DURABILITY : 500 CYCLES MIN.  
2.8 ROHS COMPLIANT.
- SUITABLE CONTACTS : 2.5mm CONTACTS.
- ALL DIMENSIONS ARE FOR REFERENCE USE ONLY.

| KEY POS | PART NUMBER |
|---------|-------------|
| N       | RT06188SNH  |
| W       | RT06188SWH  |
| X       | RT06188SXH  |
| Y       | RT06188SYH  |
| Z       | RT06188SZH  |

| QUANTITY   | SEE PART NUMBER<br>CHART<br>PART NUMBER | DESCRIPTION  | ITEM  |
|--|---|--|---|
| <b>MATERIALS LIST</b>  |   |  |   |
| UNLESS OTHERWISE SPECIFIED<br>1) All dimensions are in metric (mm).<br>2) Tolerances are as follows:<br>1 PL DEC ±0.30<br>2 PL DEC ±0.15<br>3 PL DEC ±0.08<br>Fractions ±1/64<br>Angles ±1°<br>3) Note reference = |   | <b>SIGNATURES</b><br>DRAWN: BEN<br>CHECKED:<br>ENGINEER:<br>APPROVAL:<br><b>DATE</b><br>JUN-28-2014  | <b>Amphenol</b><br>Sine Systems - www.amphenol-sine.com<br>44724 Morley Drive<br>Clinton Township, MI 48036 |
| MATERIAL SPECIFICATIONS:   |   | CUSTOMER:  | ECO-MATE, PLUG,<br>SIZE 18,8POS, SOCKET.  |
| PROCESS SPECIFICATIONS:  |   | THIS DRAWING IS SUPPLIED FOR INFORMATION ONLY. DESIGN FEATURES, SPECIFICATIONS AND PERFORMANCE DATA SHOWN HEREON ARE THE PROPERTY OF THE AMPHENOL CORPORATION. NO RIGHTS OF REPRODUCTION ARE IMPLIED. ALL DIMENSIONS ARE SUBJECT TO NORMAL MANUFACTURING VARIATIONS. | SIZE: <b>B</b> TYPE: <b>C-</b> DWG NO: <b>RT06188S*H</b> REVISION: <b>B1</b>                                |
| NEXT ASSY:   |   | SCALE: <b>NONE</b>   | SHEET <b>1</b> OF <b>1</b>  |

TITLE: ECO-MATE, PLUG SIZE 18,8POS, SOCKET.

DWG NO:

RT06188S\*H

REV: B1

SH: 1

OF: 1

## ecomate® RM/RSSM/Aquarius™ - Contact Size 12 Options

| Crimp Contacts, Machined |        |     |                               |         |
|--------------------------|--------|-----|-------------------------------|---------|
| Part Number              |        | AWG | Wire Range (mm <sup>2</sup> ) | Plating |
| Male                     | Female |     |                               |         |
| N/A                      |        |     |                               |         |

| Tooling, Machined |             |
|-------------------|-------------|
| Part Number       | Description |
| N/A               | N/A         |
| N/A               | N/A         |

| Plating Options, All |         |
|----------------------|---------|
| Symbol               | Plating |
| N/A                  | N/A     |

| Crimp Contacts, Stamped & Formed |         |       |                               |         |
|----------------------------------|---------|-------|-------------------------------|---------|
| Part Number                      |         | AWG   | Wire Range (mm <sup>2</sup> ) | Plating |
| Male                             | Female  |       |                               |         |
| SP12A1T                          | SS12A1T | 14-12 | 2.5-3.5                       | Tin     |

| Tooling, Stamped & Formed |  |
|---------------------------|--|
| Part Number               | Description  |
| QXRT12S                   | Contact Extraction Tool, 2.5mm Contact             |
| MF3-3962                  | Hand Tool, Stamped & Formed Contact, 2.5mm Contact |

| Misc Tooling, All |                       |
|-------------------|-----------------------|
| Part Number       | Description           |
| CA-4012-59        | Sealing Plug, Size 12 |

| Standard Quantity Order Options |                   |
|---------------------------------|-------------------|
| Machined                        | Stamped & Formed  |
| N/A                             | Reel, 1000 Pieces |