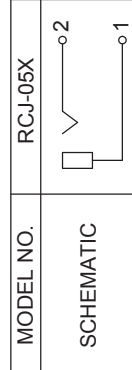
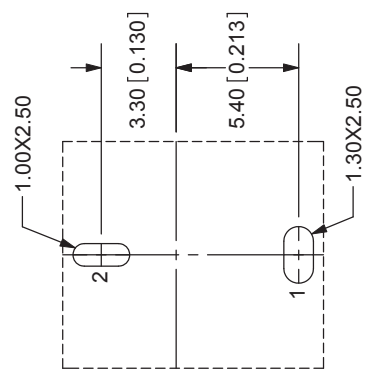
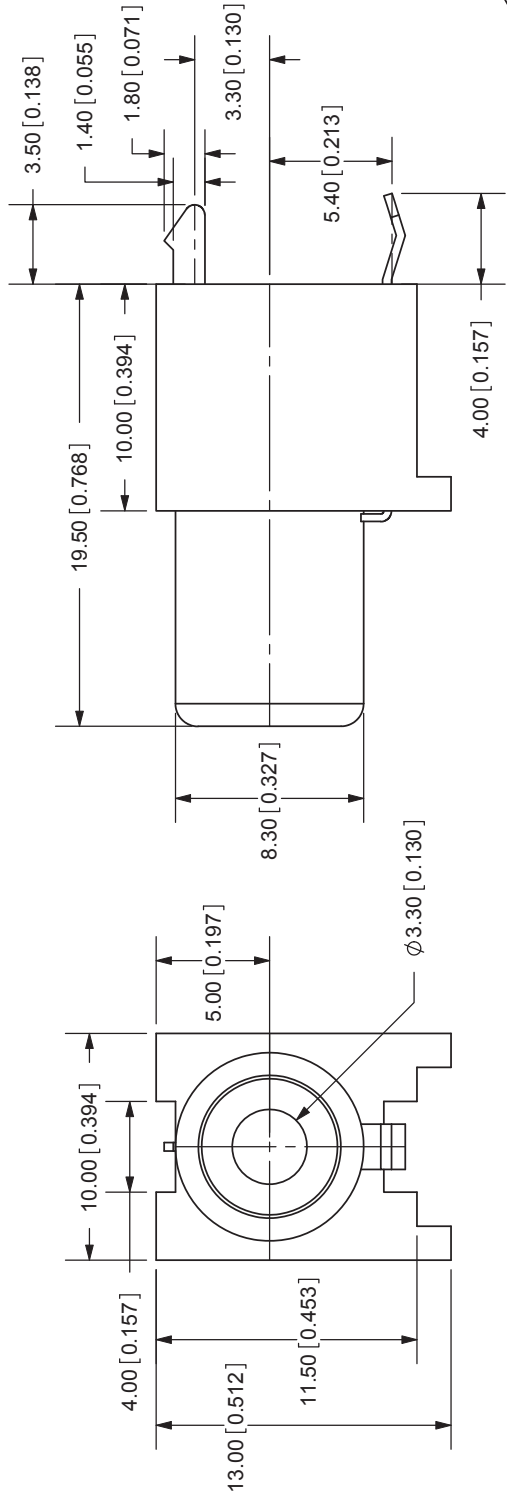


REV.	DESCRIPTION	DATE
A	NEW DRAWING	4/11/2006
B	title corrected from right angle to vertical	5/11/2009

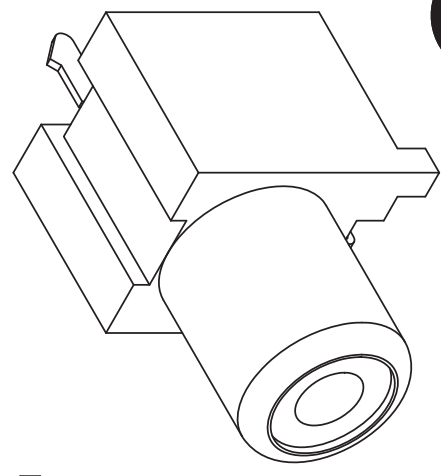


COLOR INDEX	
PART NO.	COLOR
RCJ-051	Black
RCJ-052	Red
RCJ-053	White
RCJ-054	Yellow
RCJ-055	Blue
RCJ-056	Green
RCJ-057	Orange

MATERIAL	PLATING
Brass	Nickel
Brass	Tin
PA66	

SPECIFICATIONS:

- CONTACT RESISTANCE: 30m OHMS MAX
- INSULATION RESISTANCE: 100M OHMS MIN: 500V DC
- VOLTAGE WITHSTAND: 500V AC R.M.S. FOR 1 MINUTE
- LIFE: 5,000 CYCLES
- OPERATING TEMP: -20° ~ +85°C



TOLERANCE:
±0.3mm UNLESS OTHERWISE SPECIFIED



20050 SW 112th Ave.
Tualatin, OR 97062
Phone: 503-612-2300
800-275-4899
Fax: 503-612-2383
Website: www.cui.com

TITLE: RCJ JACK, VERTICAL, PCB MOUNT	REV: B
PART NO: RCJ-05X	UNITS: MM [INCHES]
DRAWN BY: ZRJ	APPROVED BY:
	SCALE: 3:1