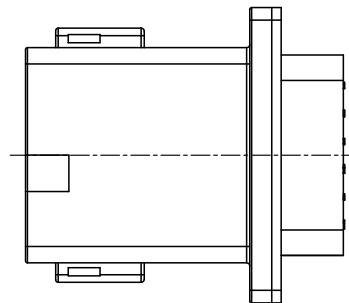
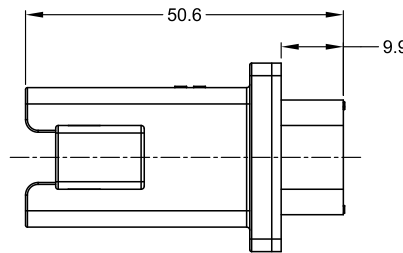
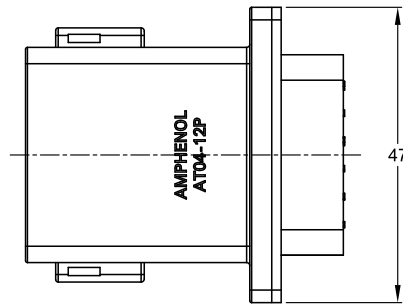
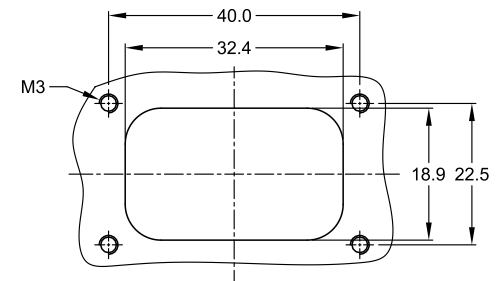
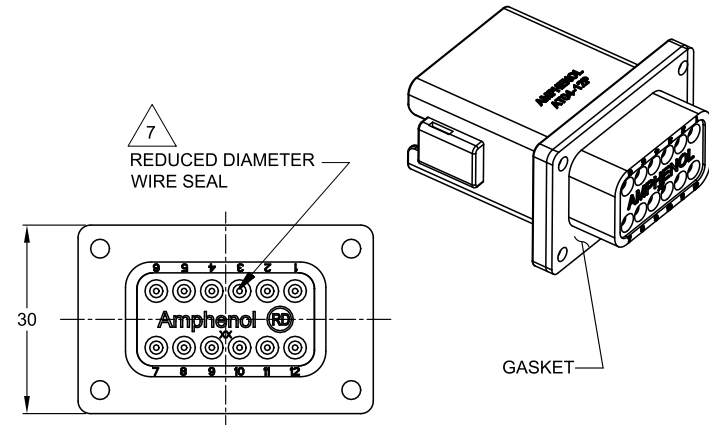
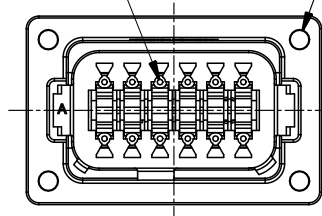


REVISIONS					
REV	ECO	DESCRIPTION	DATE	BY	APPR
A3	-	RELEASE NEW DRAWING FORMAT	03JAN14	JARRY	-
A4	-	ADD TORQUE REQUEST	10OCT15	SULLEN	TOMMY
A5	C0628S	ADD KEY C,D	01MAR17	JONY	TOMMY
A6	C1553S	UPDATE THE APPEARANCE	16DEC21	LOUIE	TOMMY



WILL ACCEPT PLASTIC
THREAD SCREWS: EXAMPLE: M3
RECOMMENDED TORQUE
VALUES: 0.15-0.35 N.m

REQUIRES CONTACT
RETENTION WEDGE AW12P



NOTES: UNLESS OTHERWISE SPECIFIED

- SEE SHEET 2 FOR KEY ARRANGEMENTS AND COLORS.
- MATERIAL:
HOUSING: THERMOPLASTIC
SEAL: SILICONE RUBBER
- MODIFICATIONS: FLANGE, REDUCED DIAMETER WIRE SEAL
- SPECIFICATIONS:
 - CURRENT RATING: 13 AMPS
 - OPERATING TEMPERATURE: -55°C TO +125°C
 - DIELECTRIC WITHSTANDING VOLTAGE: LESS THAN 2 MILLIAMPS CURRENT LEAKAGE @ 1500 VOLTS AC.
 - INSULATION RESISTANCE: 1000 MEGOHMS MIN @ 25°C.
 - MOISTURE RESISTANCE: IP69K & IP68 (1M OF WATER FOR A PERIOD OF 24 HOURS, MATED CONDITION)
 - MATING CYCLE DURABILITY: 100 CYCLES
 - RoHS COMPLIANT
- MATING PART: AT06-12SX* PLUG (X = A,B,C,D KEYS; * = MODIFICATIONS AND COLORS)
- ALL DIMENSIONS ARE FOR REFERENCE USE ONLY.

CONTACT SIZE AND REAR SEAL WIRE RANGE:

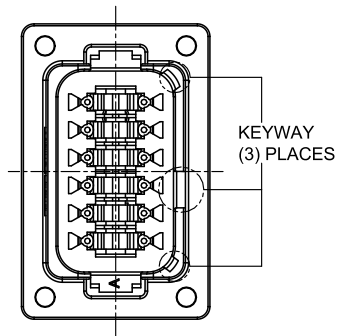
CONTACT SIZE	MIN. INSUL O.D.	MAX. INSUL O.D.	TYPICAL WIRE RANGE
16	1.35 mm (.053 in)	3.05 mm (.120 in)	14 - 20 AWG

SEE SHEET 2		DESCRIPTION		ITEM
QUANTITY	PART NUMBER			
MATERIALS LIST				
UNLESS OTHERWISE SPECIFIED 1) All dimensions are in metric (mm). 2) Tolerances are as follows: 1 PL DEC ±0.30 Fractions ±1/64 2 PL DEC ±0.15 Angles ±1° 3 PL DEC ±0.08		SIGNATURES		DATE
		DRAWN: LOUIE		16DEC21
		CHECKED: ORION		17DEC21
		ENGINEER:		
		APPROVAL: TOMMY		20DEC21
MATERIAL SPECIFICATIONS:		CUSTOMER:		
PROCESS SPECIFICATIONS:		THIS DRAWING IS SUPPLIED FOR INFORMATION ONLY. DESIGN FEATURES, SPECIFICATIONS AND PERFORMANCE DATA SHOWN HEREON ARE THE PROPERTY OF THE AMPHENOL CORPORATION. NO RIGHTS OF REPRODUCTION ARE IMPLIED. ALL DIMENSIONS ARE SUBJECT TO NORMAL MANUFACTURING VARIATIONS.		
NEXT ASSY:		SIZE	TYPE	DWG NO:
		B	C-	AT04-12PX-PM02
		SCALE: NONE		REVISION
				A6
		SHEET 1 OF 2		

TITLE: RECEPTACLE, 12 PIN, KEYS, REDUCED SEAL, AT SERIES
DWG NO: AT04-12PX-PM02
REV: A6
SH: 1
OF: 2

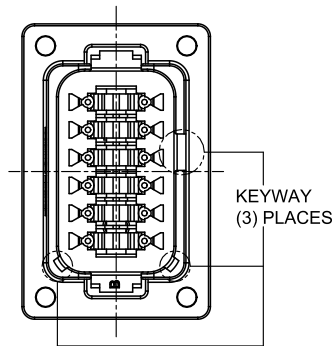
REVISIONS					
REV	ECO	DESCRIPTION	DATE	BY	APPR
A3	-	RELEASE NEW DRAWING FORMAT	03JAN14	JARRY	-
A4	-	ADD TORQUE REQUEST	10OCT15	SULLEN	TOMMY
A5	C0628S	ADD KEY C,D	01MAR17	JONY	TOMMY
A6	C1553S	UPDATE THE APPEARANCE	16DEC21	LOUIE	TOMMY

P/N AT04-12PA-PM02
KEY-A CONFIGURATION
STANDARD COLOR: GREY



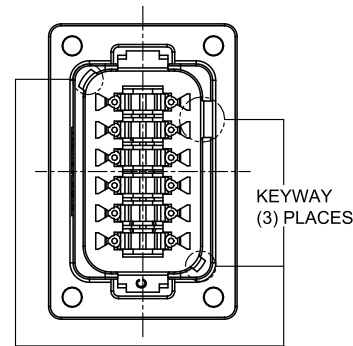
KEY-A CONFIGURATION	
COLOR	PART NUMBER
GREY	AT04-12PA-PM02

P/N AT04-12PB-PM02
KEY-B CONFIGURATION
STANDARD COLOR: BLACK



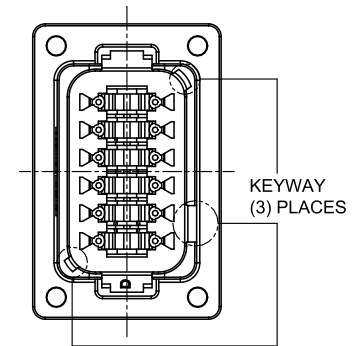
KEY-B CONFIGURATION	
COLOR	PART NUMBER
BLACK	AT04-12PB-PM02

P/N AT04-12PC-PM02
KEY-C CONFIGURATION
STANDARD COLOR: GREEN



KEY-C CONFIGURATION	
COLOR	PART NUMBER
GREEN	AT04-12PC-PM02

P/N AT04-12PD-PM02
KEY-D CONFIGURATION
STANDARD COLOR: BROWN



KEY-D CONFIGURATION	
COLOR	PART NUMBER
BROWN	AT04-12PD-PM02

NOTE:

OTHER COLORS SHOWN ARE AVAILABLE VIA SPECIAL ORDER.

TITLE: RECEPTACLE, 12 PIN, KEYED, REDUCED SEAL, AT SERIES
DWG NO.: AT04-12PX-PM02
REV: A6
SH: 2
OF: 2

SEE SHEET 2		DESCRIPTION		ITEM
PART NUMBER		DESCRIPTION		ITEM
QUANTITY				
MATERIALS LIST				
UNLESS OTHERWISE SPECIFIED		SIGNATURES	DATE	<p>Sine Systems - www.amphenol-sine.com 44724 Morley Drive Clinton Township, MI 48036</p> <p>RECEPTACLE, 12 PIN, FLANGE, REDUCED DIAMETER, KEYED, AT SERIES</p>
1) All dimensions are in metric (mm).		DRAWN: LOUIE	16DEC21	
2) Tolerances are as follows:		CHECKED: ORION	17DEC21	
1 PL DEC ±0.30 Fractions ±1/64		ENGINEER:		
2 PL DEC ±0.15 Angles ±1°		APPROVAL: TOMMY	20DEC21	
3 PL DEC ±0.08		CUSTOMER:		
3) Note reference =		THIS DRAWING IS SUPPLIED FOR INFORMATION ONLY. DESIGN FEATURES, SPECIFICATIONS AND PERFORMANCE DATA SHOWN HEREON ARE THE PROPERTY OF THE AMPHENOL CORPORATION. NO RIGHTS OF REPRODUCTION ARE IMPLIED. ALL DIMENSIONS ARE SUBJECT TO NORMAL MANUFACTURING VARIATIONS.		REVISION
MATERIAL SPECIFICATIONS:		SIZE	TYPE	DWG NO.
PROCESS SPECIFICATIONS:		B	C-	AT04-12PX-PM02
NEXT ASSY:		SCALE: NONE	SHEET 2 OF 2	