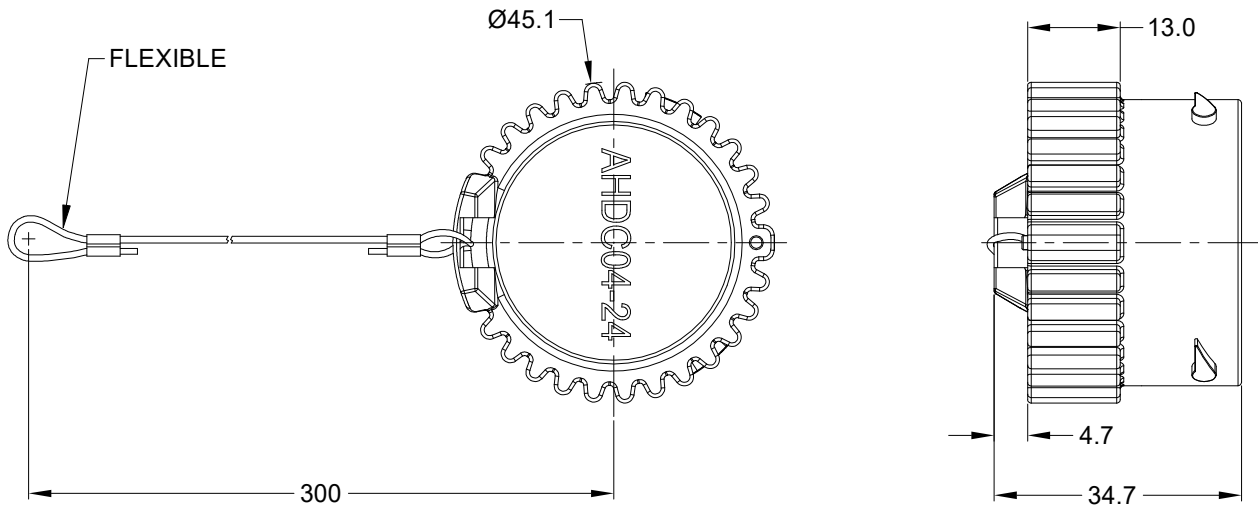


REVISIONS					
REV	ECO	DESCRIPTION	DATE	BY	APPR
A1		RELEASE NEW DRAWING	26DEC17	SULLEN	TOMMY
A2		CHANGE 230 TO 300	09JUL21	MILO	TOMMY



NOTES: UNLESS OTHERWISE SPECIFIED

- MATERIAL:  
SHELL: THERMOPLASTIC  
SEAL: SILICONE RUBBER  
CORD: NYLON
- COLORS: BLACK
- RoHS COMPLIANT
- COMPATIBLE WITH ALL SIZE 24 AHDP SERIES PLUG.
- ALL DIMENSIONS ARE FOR REFERENCE USE ONLY.

AHDC04-24-T		DESCRIPTION		ITEM
QUANTITY	MATERIALS LIST			
<b>UNLESS OTHERWISE SPECIFIED</b> 1) All dimensions are in metric (mm). 2) Tolerances are as follows: 1 PL DEC ±0.30 2 PL DEC ±0.15 3 PL DEC ±0.08 Fractions ±1/64 Angles ±1° 3) Note reference =		<b>SIGNATURES</b> DRAWN: MILO.DONG CHECKED: SULLEN.ZHANG ENGINEER: APPROVAL: TOMMY.XIE CUSTOMER:		<b>DATE</b> 09JUL21 12JUL21 13JUL21
MATERIAL SPECIFICATIONS:		THIS DRAWING IS SUPPLIED FOR INFORMATION ONLY. DESIGN FEATURES, SPECIFICATIONS AND PERFORMANCE DATA SHOWN HEREON ARE THE PROPERTY OF THE AMPHENOL CORPORATION. NO RIGHTS OF REPRODUCTION ARE IMPLIED. ALL DIMENSIONS ARE SUBJECT TO NORMAL MANUFACTURING VARIATIONS.		<b>Amphenol</b> Sine Systems - www.amphenol-sine.com 44724 Morley Drive Clinton Township, MI 48036
PROCESS SPECIFICATIONS:		<b>SIZE</b> A	<b>TYPE</b> C-	<b>DWG NO:</b> AHDC04-24-T <b>REVISION</b> A2
NEXT ASS'Y:		<b>SCALE:</b> NONE		SHEET 1 OF 1