

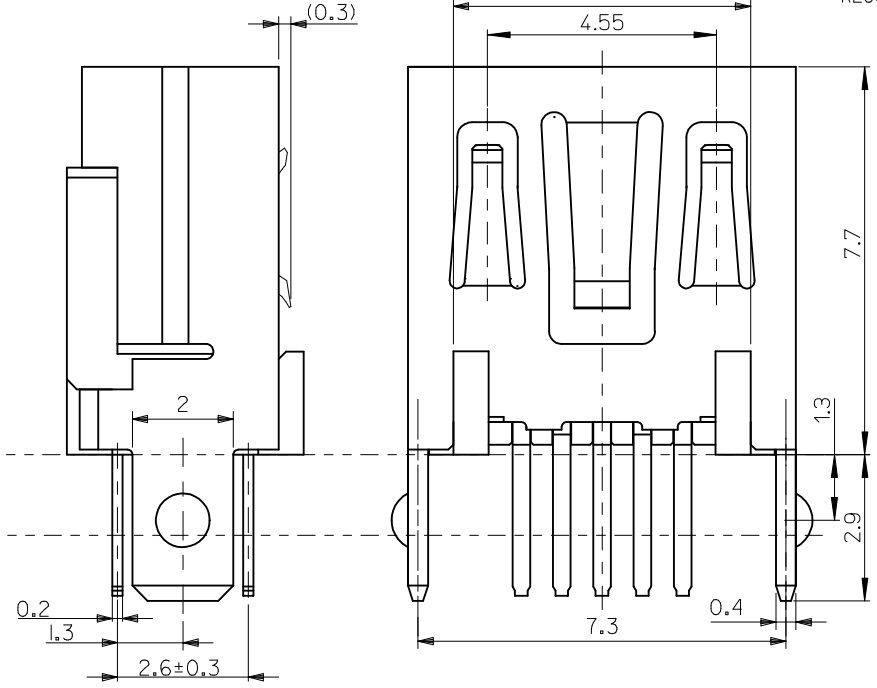
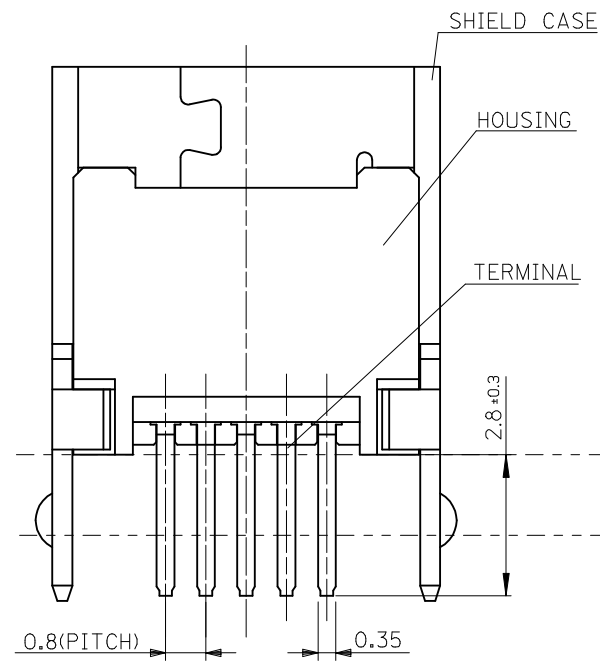
DETAIL FRONTAGE

コネクタ実装側 (CONNECTOR MOUNT SIDE)

推奨基板寸法

逆側 (REVERSE SIDE)

RECOMMENDED P.C.B. PATTERN LAYOUT (SCALE 5:1)

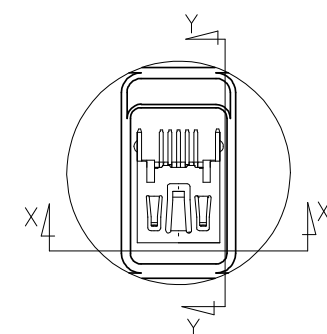
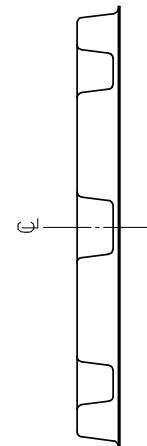
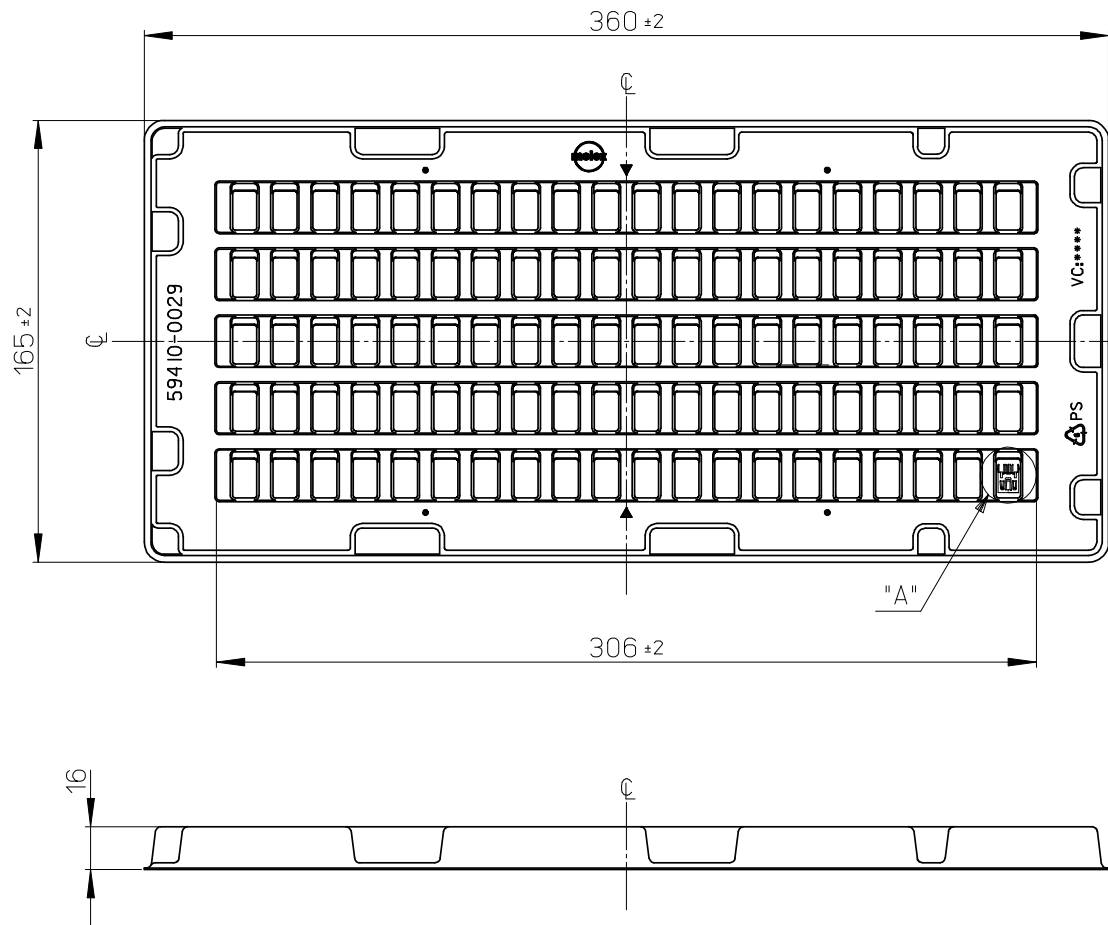


注記 NOTES

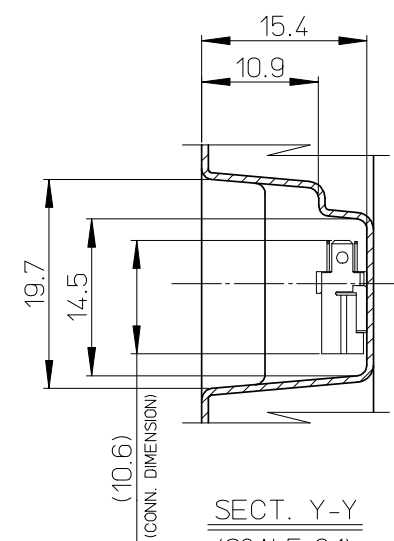
- 材質 MATERIAL  
 ハウジング: ポリアミド, 黒色, UL94V-0  
 HOUSING: POLYAMIDE, BLACK, UL94V-0  
 ターミナル: 銅合金 (t=0.2)  
 TERMINAL: COPPER ALLOY (t=0.2)  
 シールド ケース: 銅合金 (t=0.4)  
 SHIELD CASE: COPPER ALLOY (t=0.4)
- メッキ仕様 PLATING  
 ターミナル TERMINAL  
 接点部: 金メッキ CONTACT AREA: GOLD  
 半田付け部: 錫メッキ SOLDER TAIL AREA: TIN  
 下地部: ニッケルメッキ UNDER PLATING: NICKEL  
 シールド ケース SHIELD CASE  
 錫メッキ TIN  
 下地部: ニッケルメッキ UNDER PLATING: NICKEL

502237-0517  
 TRAY PKG.  
 ORDER No./オーダー番号

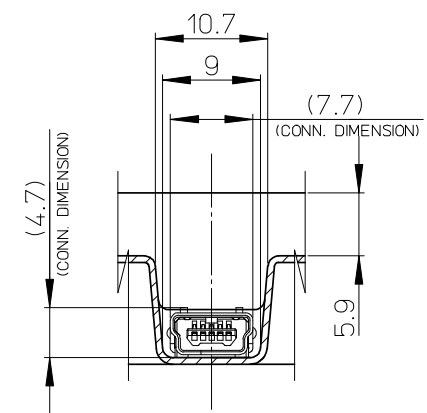
REVISED EC NO: J2009-2284 DRW: NESATO 2009/06/29 CHKD: MATSUMOTO 2009/06/30 APPR: NUKITA 2009/06/30	GENERAL TOLERANCES (UNLESS SPECIFIED)		DIMENSION STYLE	SCALE	DESIGN UNITS	THIRD ANGLE PROJECTION
			MM ONLY	10:1	METRIC	
	DESCRIPTION	10 UNDER ±0.2	DRAWN BY	DATE	TITLE	 USB SERIES MINI-B STRAIGHT REC. ASSY -LEAD FREE- MOLEX INCORPORATED
		10 OVER 30 UNDER ±0.25	MTANAKA	06/03/29		
	30 OVER ±0.3	CHCKED BY	DATE			
	ANGULAR ±3 °	NUKITA	06/03/29			
	DRAFT WHERE APPLICABLE MUST REMAIN WITHIN DIMENSIONS	APPROVED BY	DATE		DOCUMENT NO.	SHEET NO.
		NUKITA	06/03/29		SD-502237-001	1 OF 1
		MATERIAL NO.	THIS DRAWING CONTAINS INFORMATION THAT IS PROPRIETARY TO MOLEX INCORPORATED AND SHOULD NOT BE USED WITHOUT WRITTEN PERMISSION			
		SIZE	A3			



DETAIL A  
(SCALE 2:1)



SECT. Y-Y  
(SCALE 2:1)



SECT. X-X  
(SCALE 2:1)

注記

1. 一般交差 : ±0.5  
GENERAL TOLERANCES: ±0.5
2. 各部の反りは2.0MAX.  
WARP: 2.0MAX.
3. 梱包数 : 100個  
PACKAGING QUANTITY: 100PCS.

502237-1517
502237-0517
適用製品番号 APPLICABLE PART No.

RELEASED EC NO: J2008-3626 DRWN: YOKUZONO 2008/04/15 CHKD: HARUYAMA 2008/04/15 APPR: NUKITA 2008/04/16	GENERAL TOLERANCES (UNLESS SPECIFIED)		DIMENSION STYLE MM ONLY	SCALE 1:2	DESIGN UNITS METRIC	THIRD ANGLE PROJECTION
	10 UNDER	±---	DRAWN BY Y. TOKUZONO	DATE 2008/4/14	TITLE TRAY FOR 502237 (USB SERIES MINI-B REC. HS'G ASS'Y S/T)	
	10 OVER 30 UNDER	±---	CHECKED BY T. HARUYAMA	DATE 2008/4/14	MOLEX INCORPORATED	
	30 OVER	±---	APPROVED BY N. UKITA	DATE 2008/4/14	DOCUMENT NO. SD-502237-002	SHEET NO. 1 OF 1
0	DESCRIPTION DRAFT WHERE APPLICABLE MUST REMAIN WITHIN DIMENSIONS	MATERIAL NO. 594100029	THIS DRAWING CONTAINS INFORMATION THAT IS PROPRIETARY TO MOLEX INCORPORATED AND SHOULD NOT BE USED WITHOUT WRITTEN PERMISSION			