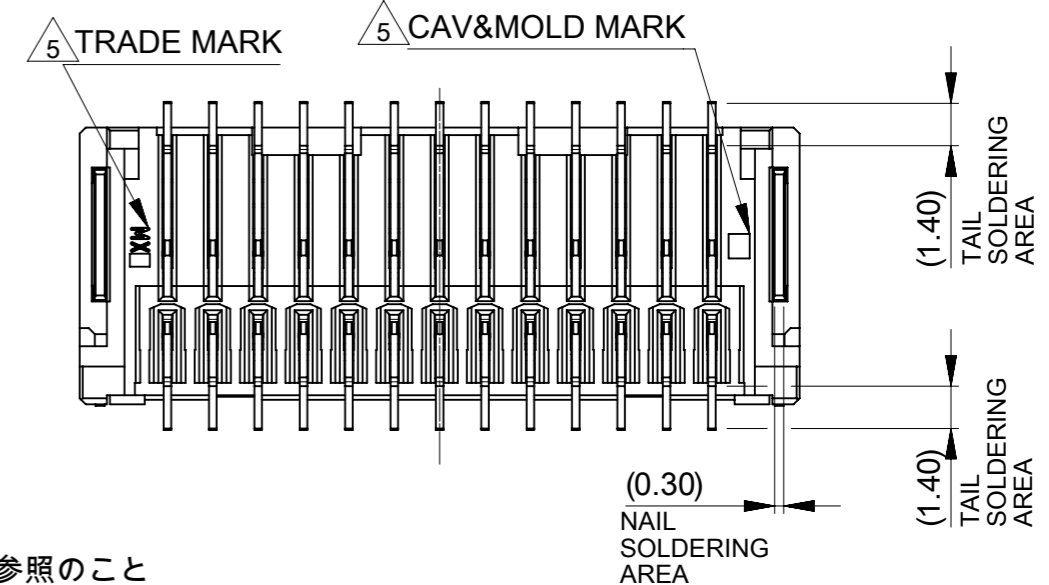
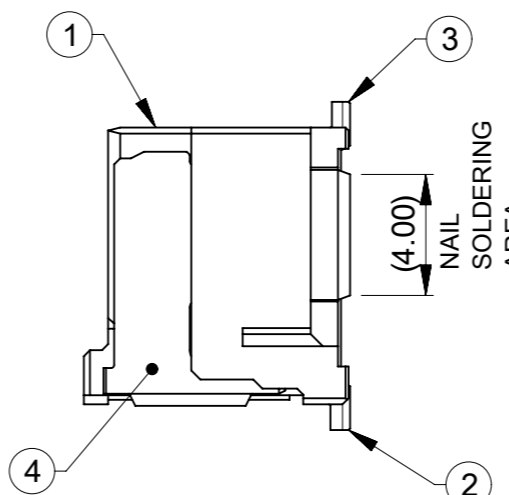
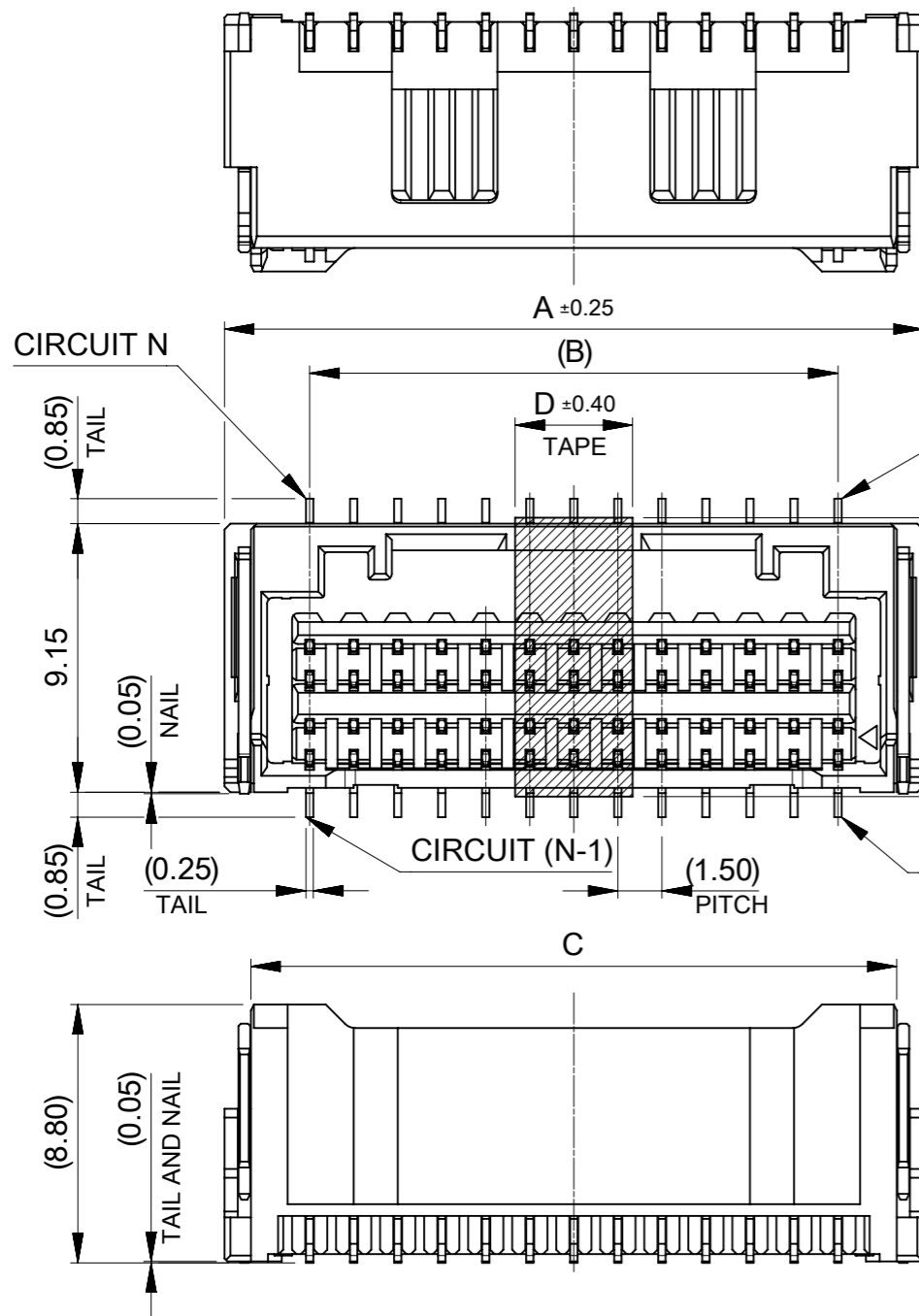
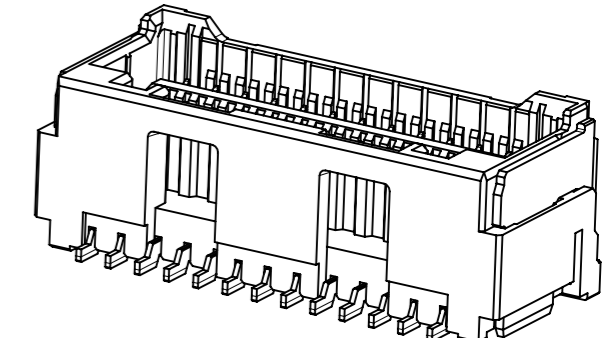


NOTE

- 端子テール部およびネイルの平坦度: 0.1mm MAX
TAIL AND NAIL COPLANARITY TO BE 0.1mm MAX
- (極数/2) = 偶数 に適用
APPLY FOR (CIRCUIT SIZE/2) = EVEN.
- 適用製品及び各種仕様書はSHEET 4を参照のこと
REFER TO SHEET 4 ABOUT APPLICABLE PRODUCTS AND VARIOUS SPECIFICATIONS.



④ オーダー番号(製品番号): SHEET 6の製品一覧を参照のこと
ORDER No (PRODUCT No) : REFER TO SHEET 6 FOR PRODUCT LIST.

503154 * * 9 *
 シリーズ番号 SERIES NO 極数 CIRCUIT SIZE 色 COLOR

CIRCUIT	NO	COLOR
08~34	0	ナチュラル (ベージュ) NATURAL (BEIGE)
	1	黒 BLACK
08~32	2	赤 RED
	4	青 BLUE
	6	緑 GREEN

D	C	B	A	極数	
				CIRCUIT NO	
5	28.0	±0.25	24.0	29.8	34
	26.5		22.5	28.3	32
	25.0		21.0	26.8	30
4	23.5	±0.25	19.5	25.3	28
	22.0		18.0	23.8	26
	20.5		16.5	22.3	24
	19.0		15.0	20.8	22
	17.5		13.5	19.3	20
	16.0		12.0	17.8	18
3	14.5	±0.2	10.5	16.3	16
	13.0		9.0	14.8	14
	11.5		7.5	13.3	12
3	10.0	±0.2	6.0	11.8	10
	8.5		4.5	10.3	8

番号 NO	部品 PART	材質 MATERIAL
①	ハウジング HOUSING	ポリアミド(PA) UL94V-0 色 : SEE CHART POLYAMIDE(PA) UL94V-0 COLOR : SEE CHART
②	ターミナル A, B TERMINAL A, B	銅合金 COPPER ALLOY
		錫めっき : 1.0 micro-meter MIN MATTE TIN PLATING(TAIL AREA)
④	ネイル NAIL	ニッケルめっき(下地) : 1.0 micro-meter MIN NICKEL (UNDER PLATING)
		黄銅 BRASS
		錫めっき : 1.0 micro-meter MIN MATTE TIN PLATING
④	ネイル NAIL	ニッケルめっき(下地) : 1.0 micro-meter MIN NICKEL (UNDER PLATING)
		ニッケルめっき(下地) : 1.0 micro-meter MIN NICKEL (UNDER PLATING)

⑤ トレードマーク : MXプラス 1文字の製造工場を示す
アルファベットにて表示。
但し、"J"はJAPANを示す。(例 : MXJ)
キャビティ番号 : 1桁から2桁の数字にて表示
金型番号 : アルファベット1文字にて表示

THIS DRAWING CONTAINS INFORMATION THAT IS PROPRIETARY TO MOLEX ELECTRONIC TECHNOLOGIES, LLC AND SHOULD NOT BE USED WITHOUT WRITTEN PERMISSION

SCALE: DIMENSION UNITS mm NTS

GENERAL TOLERANCES (UNLESS SPECIFIED): ANGULAR TOL ± 3.0°

4 PLACES ± 0.2, 3 PLACES ± 0.2, 2 PLACES ± 0.2, 1 PLACE ± 0.2, 0 PLACES ± 0.2

DRAFT WHERE APPLICABLE MUST REMAIN WITHIN DIMENSIONS

THIRD ANGLE PROJECTION

DRAWING: A3-SIZE, SERIES: 503154, MATERIAL NUMBER: 503154****, CUSTOMER: GENERAL, SHEET NUMBER: 1 OF 6

CURRENT REV DESC: REVISED

EC NO: 647134, DRWN: MIKEDA01, 2020/10/01, CHK'D: SAKIYAMA, 2021/05/10, APPR: KOMURAKAMI, 2021/05/10

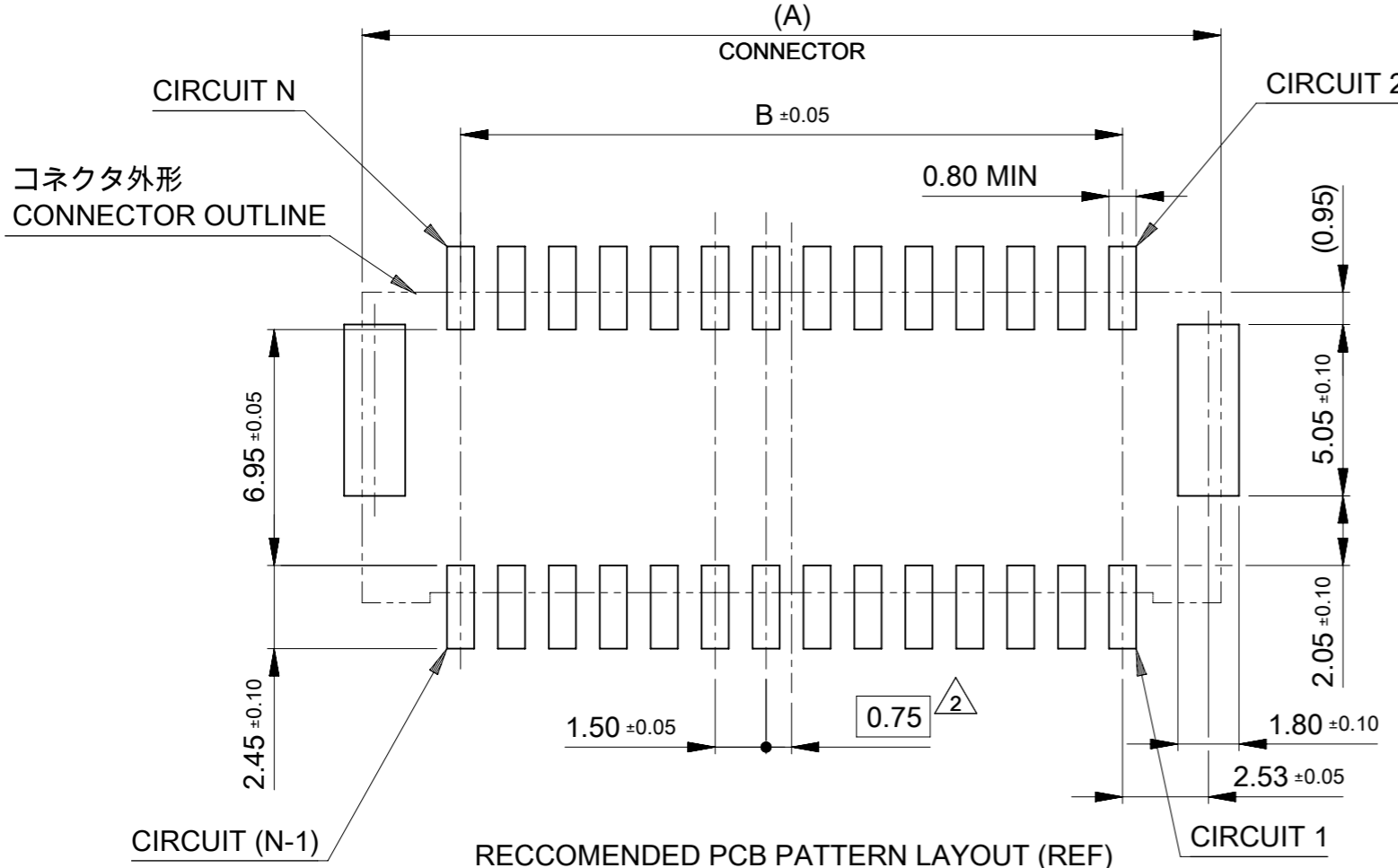
INITIAL REVISION: DRWN: MIKEDA01, 2019/04/25, APPR: KOMURAKAMI, 2020/03/03

DOCUMENT NUMBER: 5031540000-SD, DOC TYPE: PSD, DOC PART: 000, REVISION: B

PRODUCT CUSTOMER DRAWING

CLIK-MATE 1.5 DUAL ROW SMT VT TYPE REC ASSY TIN PLATING

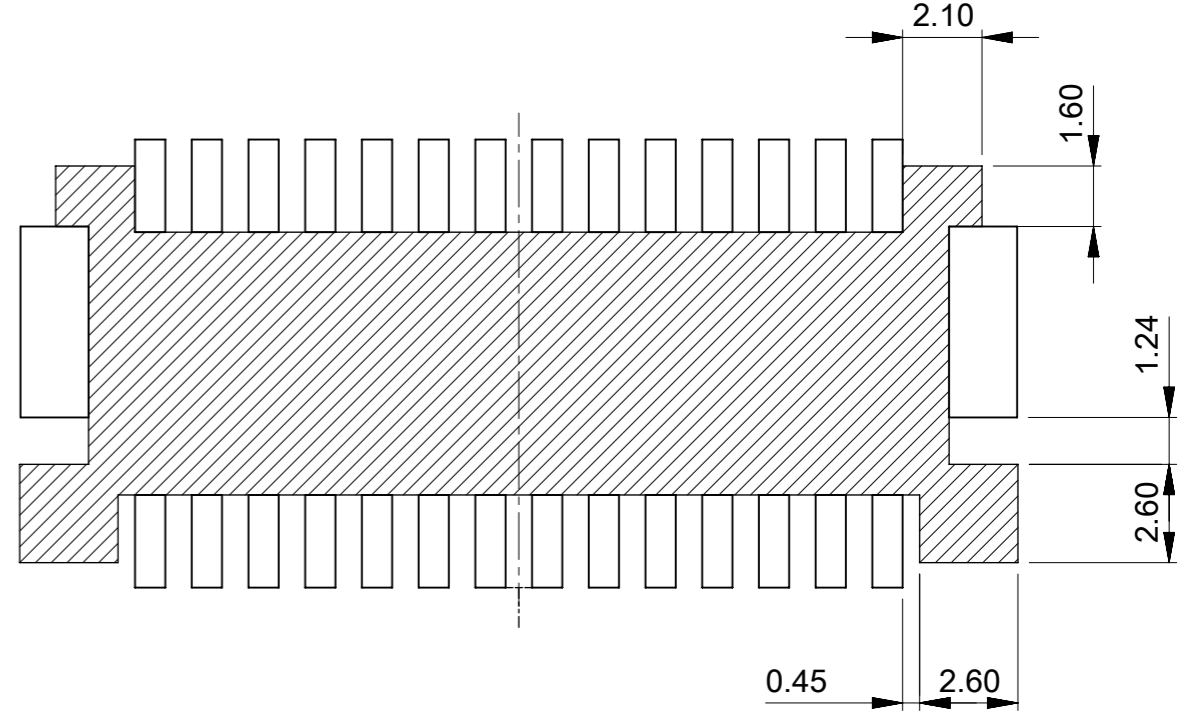
コネクタ外形
CONNECTOR OUTLINE



(参考 : メタルマスク厚さ 0.10mm, マスク開口率100%)
 (REFERENCE: METAL STENCIL THICKNESS 0.10MM, APERTURE RATIO 100%)

NOTE

△ コネクタ下にパターン及びスルーホールを設置する場合、基板面からパターン盛り上がりは0.1mm MAXとすること
 ただし、図示したパターン禁止エリアを除く
 THE CONVEX ON THE PCB TO BE 0.1mm MAX WHEN SET SOME PATTERNS OR THROUGH HOLES UNDER THE CONNECTOR.
 EXCEPT INDICATED AREA.

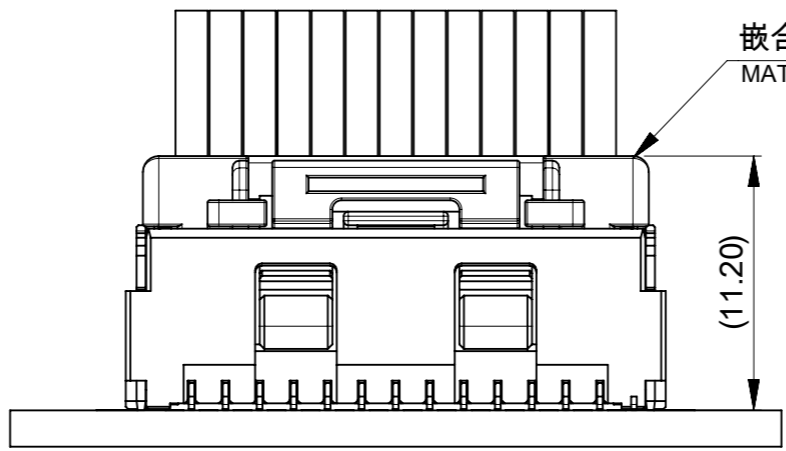
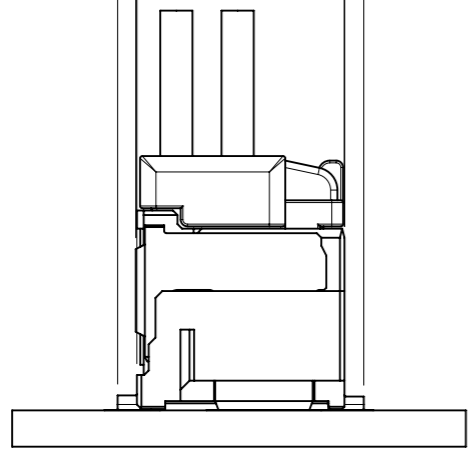


△ 6 パターン非推奨エリア

パターンを引き回す際は、製品機能に影響がないことをご確認ください。
 PATTERN IS NOT RECCOMENDED ON THE HATCHED AREA.
 PLEASE CHECK NOT TO HAVE PROBLEM FOR PRODUCT FUNCTION
 WHEN SETTING PATTERN ON THE HATCHED AREA.

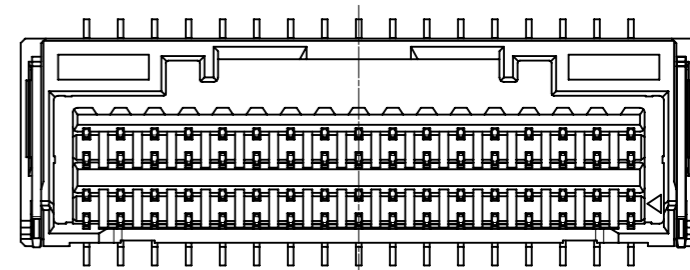
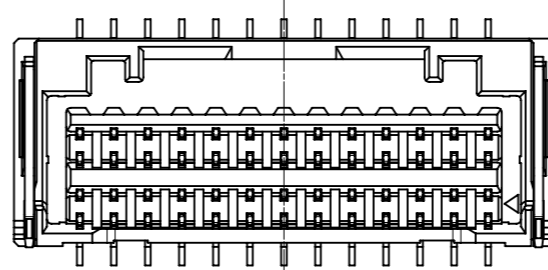
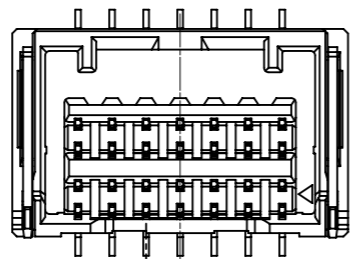
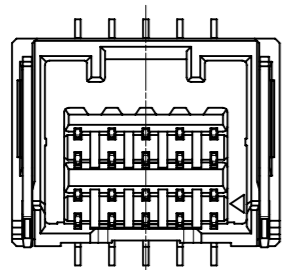
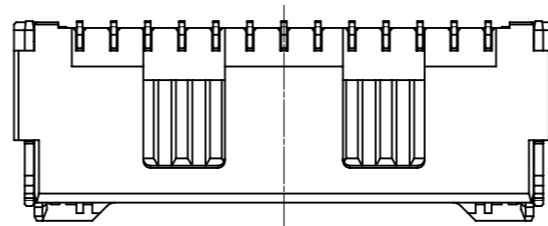
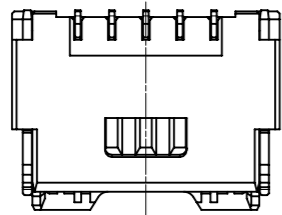
THIS DRAWING CONTAINS INFORMATION THAT IS PROPRIETARY TO MOLEX ELECTRONIC TECHNOLOGIES, LLC AND SHOULD NOT BE USED WITHOUT WRITTEN PERMISSION		CURRENT REV DESC: REVISED		molex	
DIMENSION UNITS	SCALE				
mm	NTS			CLIK-MATE 1.5 DUAL ROW SMT VT TYPE REC ASSY TIN PLATING	
GENERAL TOLERANCES (UNLESS SPECIFIED)				PRODUCT CUSTOMER DRAWING	
ANGULAR TOL	± 3.0 °			DOCUMENT NUMBER	
4 PLACES	± 0.2	EC NO: 647134		5031540000-SD	
3 PLACES	± 0.2	DRWN: MIKEDA01	2020/10/01	DOC TYPE	DOC PART
2 PLACES	± 0.2	CHK'D: SAKIYAMA	2021/05/10	PSD	000
1 PLACE	± 0.2	APPR: KOMURAKAMI	2021/05/10	REVISION	
0 PLACES	± 0.2	INITIAL REVISION:		B	
DRAFT WHERE APPLICABLE MUST REMAIN WITHIN DIMENSIONS		DRWN: MIKEDA01	2019/04/25		
THIRD ANGLE PROJECTION		APPR: KOMURAKAMI	2020/03/03		
DRAWING		SERIES	MATERIAL NUMBER	CUSTOMER	
A3-SIZE		503154	503154****	GENERAL	
SHEET NUMBER		2 OF 6			

(0.85) (9.20) (0.85)



嵌合相手 : 503149シリーズ
MATE WITH: 503149 SERIES

嵌合図
MATED CONNECTORS

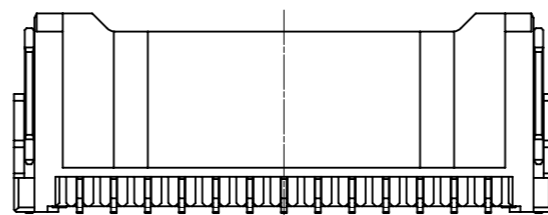
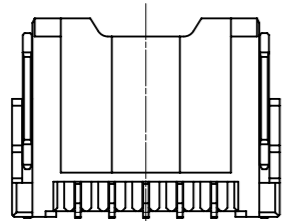


8-10極
8-10 CKT

12-18極
12-18 CKT

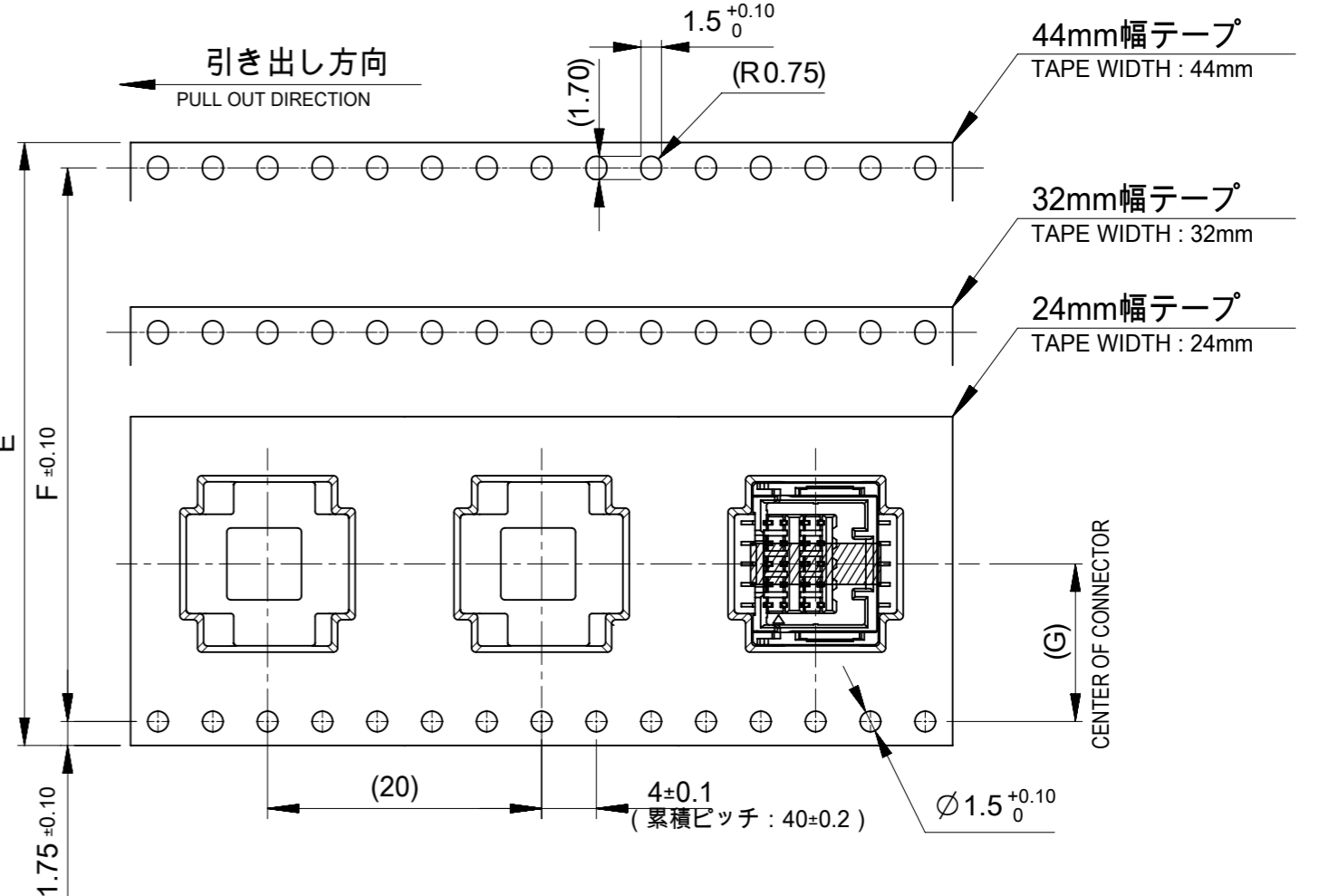
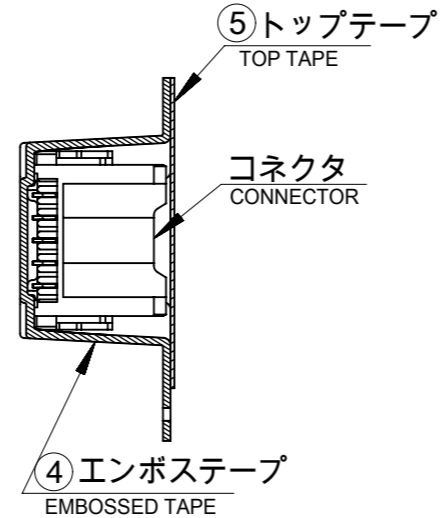
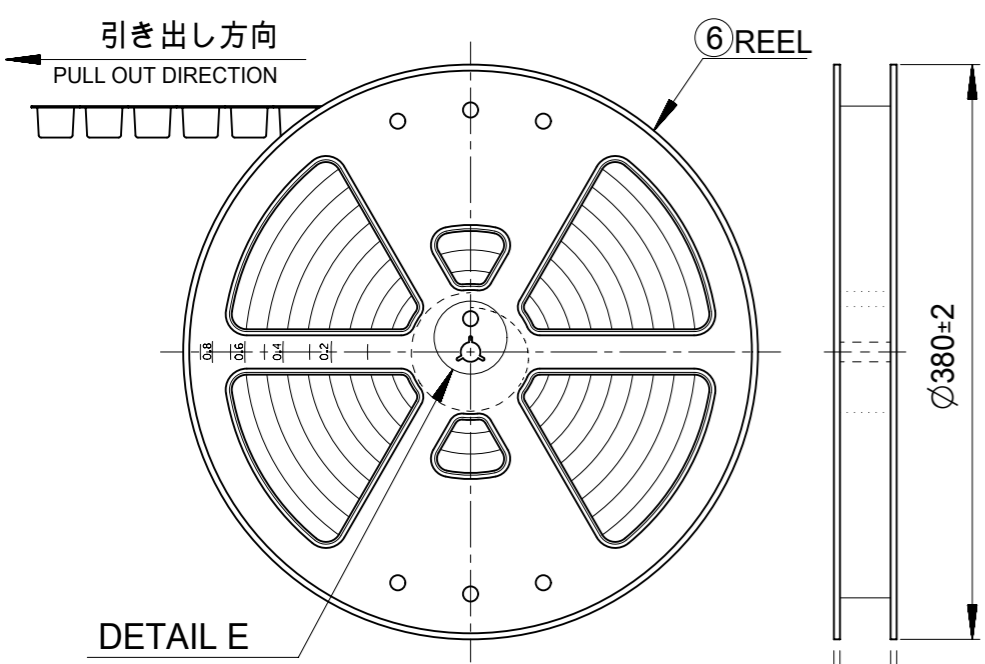
20-28極
20-28 CKT

30-34極
30-34 CKT



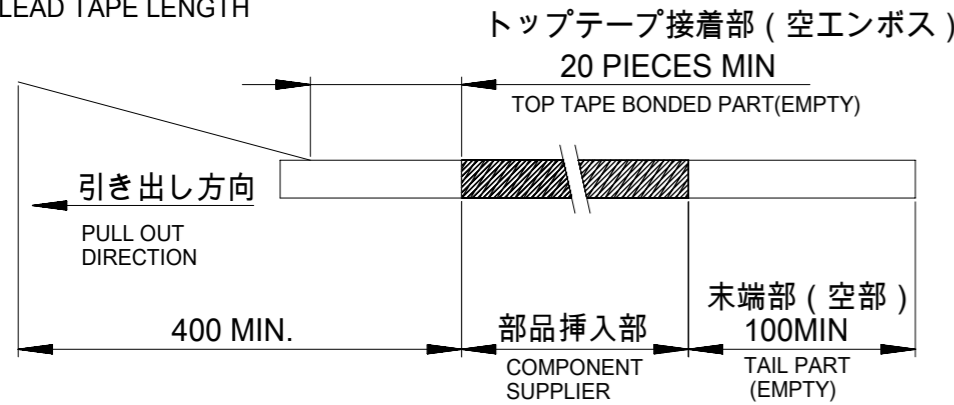
極数別ハウジング形状
HOUSING SHAPE OF EACH CKTS

THIS DRAWING CONTAINS INFORMATION THAT IS PROPRIETARY TO MOLEX ELECTRONIC TECHNOLOGIES, LLC AND SHOULD NOT BE USED WITHOUT WRITTEN PERMISSION		CURRENT REV DESC: REVISED		molex	
DIMENSION UNITS	SCALE				
mm	NTS			CLIK-MATE 1.5 DUAL ROW SMT VT TYPE REC ASSY TIN PLATING	
GENERAL TOLERANCES (UNLESS SPECIFIED)				PRODUCT CUSTOMER DRAWING	
ANGULAR TOL	± 3.0 °			DOCUMENT NUMBER	
4 PLACES	± 0.2	EC NO: 647134		5031540000-SD	
3 PLACES	± 0.2	DRWN: MIKEDA01 2020/10/01		DOC TYPE	
2 PLACES	± 0.2	CHK'D: SAKIYAMA 2021/05/10		PSD	
1 PLACE	± 0.2	APPR: KOMURAKAMI 2021/05/10		DOC PART	
0 PLACES	± 0.2	INITIAL REVISION:		000	
DRAFT WHERE APPLICABLE MUST REMAIN WITHIN DIMENSIONS		DRWN: MIKEDA01 2019/04/25		REVISION	
		APPR: KOMURAKAMI 2020/03/03		B	
THIRD ANGLE PROJECTION		DRAWING	SERIES	MATERIAL NUMBER	CUSTOMER
		A3-SIZE	503154	503154****	GENERAL
				SHEET NUMBER	
				3 OF 6	

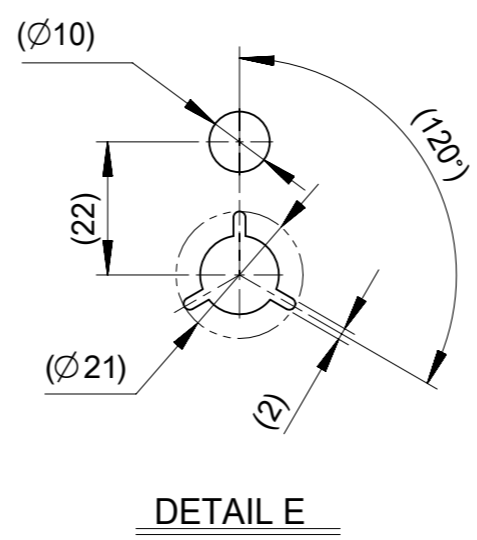
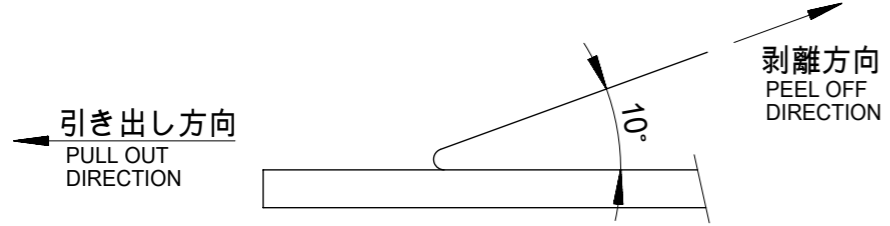


NOTE

- 6. 梱包数量 : 450個 / リール
NUMBER OF CONNECTORS : 450 PIECES/REEL
- 7. リードテープ長さ
LEAD TAPE LENGTH



8. トップテープの剥離強度: 0.1~1.3N
剥離方向は下記参照:
PEELING OFF FORCE OF TOP TAPE
PEELING DIRECTION AS SHOWN IN FOLLOWING FIGURE:
尚、本規格は出荷時に適用。(ただし輸送時に剥離が発生しないこと)
THIS REQUIREMENT SHOULD BE APPLIED AT SHIPMENT.
PEELING OFF SHOULD NOT BE ALLOWED DURING TRANSPORTING.



					34
					32
					30
					28
					26
					24
					22
					20
					18
					16
					14
					12
					10
					8
J	H	G	F	エンボステープ幅E WIDTH OF TAPE	極数 CIRCUIT NO

番号 No.	部品 PART	材質 MATERIAL
④	エンボステープ EMBOSSSED TAPE	ポリスチレン(PS) POLYSTYLENE
⑤	トップテープ TOP TAPE	ポリエチレン、ポリエチレンテレフタレート POLYETHYLENE (PE), POLYETHYLENE TELEPHTHALATE(PET)
⑥	リール REEL	ポリスチレン (リサイクル材を含む) POLYSTYLENE (CONTAINED RECYCLED MATERIAL)

THIS DRAWING CONTAINS INFORMATION THAT IS PROPRIETARY TO MOLEX ELECTRONIC TECHNOLOGIES, LLC AND SHOULD NOT BE USED WITHOUT WRITTEN PERMISSION

DIMENSION UNITS: mm SCALE: NTS

GENERAL TOLERANCES (UNLESS SPECIFIED):
 ANGULAR TOL ± 3.0°
 4 PLACES ± 0.2
 3 PLACES ± 0.2
 2 PLACES ± 0.2
 1 PLACE ± 0.2
 0 PLACES ± 0.2

THIRD ANGLE PROJECTION

DRAWING: A3-SIZE SERIES: 503154 MATERIAL NUMBER: 503154**** CUSTOMER: GENERAL SHEET NUMBER: 4 OF 6

EC NO: 647134 DRWN: MIKEDA01 2020/10/01
 CHK'D: SAKIYAMA 2021/05/10
 APPR: KOMURAKAMI 2021/05/10

INITIAL REVISION:
 DRWN: MIKEDA01 2019/04/25
 APPR: KOMURAKAMI 2020/03/03

DOCUMENT NUMBER: 5031540000-SD DOC TYPE: PSD DOC PART: 000 REVISION: B

CURRENT REV DESC: REVISED

molex

CLIK-MATE 1.5
 DUAL ROW SMT VT TYPE REC ASSY TIN PLATING

PRODUCT CUSTOMER DRAWING

△ 3 適用製品及び各種仕様書
 APPLICABLE PRODUCTS AND VARIOUS SPECIFICATIONS

梱包仕様書 PACKAGING SPECIFICATION	PART NUMBER 503154**9*	DOCUMENT NUMBER SPK-503154-001
----------------------------------	---------------------------	-----------------------------------

適用嵌合相手 MATE WITH	HOUSING	TERMINAL	
		#24-28	#28-30
シリーズ番号 SERIES NUMBER	503149	502579	503429
製品仕様書 PRODUCT SPECIFICATION	5031490000-PS		
アプリケーション仕様書 APPLICATION SPECIFICATION	AS-503149-001		

THIS DRAWING CONTAINS INFORMATION THAT IS PROPRIETARY TO MOLEX ELECTRONIC TECHNOLOGIES, LLC AND SHOULD NOT BE USED WITHOUT WRITTEN PERMISSION										
DIMENSION UNITS	SCALE	CURRENT REV DESC: REVISED				molex				
mm	NTS					CLIK-MATE 1.5 DUAL ROW SMT VT TYPE REC ASSY TIN PLATING				
GENERAL TOLERANCES (UNLESS SPECIFIED)						PRODUCT CUSTOMER DRAWING				
ANGULAR TOL	± 3.0 °									
4 PLACES	± 0.2	EC NO: 647134								
3 PLACES	± 0.2	DRWN: MIKEDA01				2020/10/01				
2 PLACES	± 0.2	CHK'D: SAKIYAMA				2021/05/10				
1 PLACE	± 0.2	APPR: KOMURAKAMI				2021/05/10				
0 PLACES	± 0.2	INITIAL REVISION:								
		DRWN: MIKEDA01				2019/04/25				
		APPR: KOMURAKAMI				2020/03/03				
DRAFT WHERE APPLICABLE MUST REMAIN WITHIN DIMENSIONS		THIRD ANGLE PROJECTION 	DRAWING A3-SIZE	SERIES 503154	MATERIAL NUMBER 503154****	CUSTOMER GENERAL	DOCUMENT NUMBER 5031540000-SD	DOC TYPE PSD	DOC PART 000	REVISION B

DOCUMENT STATUS	P1	RELEASE DATE	2021/05/10	08:34:29
-----------------	----	--------------	------------	----------

4 製品一覧
PRODUCTS LIST

緑 GREEN	青 BLUE	赤 RED	黒 BLACK	ナチュラル(ベージュ) NATURAL(BEIGE)	HOUSING COLOR
-	-	-	503154 3491	503154 3490	34
503154 3296	503154 3294	503154 3292	503154 3291	503154 3290	32
503154 3096	503154 3094	503154 3092	503154 3091	503154 3090	30
503154 2896	503154 2894	503154 2892	503154 2891	503154 2890	28
503154 2696	503154 2694	503154 2692	503154 2691	503154 2690	26
503154 2496	503154 2494	503154 2492	503154 2491	503154 2490	24
503154 2296	503154 2294	503154 2292	503154 2291	503154 2290	22
503154 2096	503154 2094	503154 2092	503154 2091	503154 2090	20
503154 1896	503154 1894	503154 1892	503154 1891	503154 1890	18
503154 1696	503154 1694	503154 1692	503154 1691	503154 1690	16
503154 1496	503154 1494	503154 1492	503154 1491	503154 1490	14
503154 1296	503154 1294	503154 1292	503154 1291	503154 1290	12
503154 1096	503154 1094	503154 1092	503154 1091	503154 1090	10
503154 0896	503154 0894	503154 0892	503154 0891	503154 0890	8
オーダー番号 ORDER NO					極数 CIRCUIT NO

THIS DRAWING CONTAINS INFORMATION THAT IS PROPRIETARY TO MOLEX ELECTRONIC TECHNOLOGIES, LLC AND SHOULD NOT BE USED WITHOUT WRITTEN PERMISSION									
DIMENSION UNITS	SCALE	CURRENT REV DESC: REVISED				molex			
mm	NTS								
GENERAL TOLERANCES (UNLESS SPECIFIED)						CLIK-MATE 1.5 DUAL ROW SMT VT TYPE REC ASSY TIN PLATING			
ANGULAR TOL	± 3.0 °					PRODUCT CUSTOMER DRAWING			
4 PLACES	± 0.2	EC NO: 647134							
3 PLACES	± 0.2	DRWN: MIKEDA01	2020/10/01						
2 PLACES	± 0.2	CHK'D: SAKIYAMA	2021/05/10						
1 PLACE	± 0.2	APPR: KOMURAKAMI	2021/05/10						
0 PLACES	± 0.2	INITIAL REVISION:				DOCUMENT NUMBER		DOC TYPE	DOC PART
		DRWN: MIKEDA01	2019/04/25		5031540000-SD		PSD	000	B
		APPR: KOMURAKAMI	2020/03/03						
DRAFT WHERE APPLICABLE MUST REMAIN WITHIN DIMENSIONS		THIRD ANGLE PROJECTION	DRAWING	SERIES	MATERIAL NUMBER	CUSTOMER	SHEET NUMBER		
			A3-SIZE	503154	503154****	GENERAL	6 OF 6		