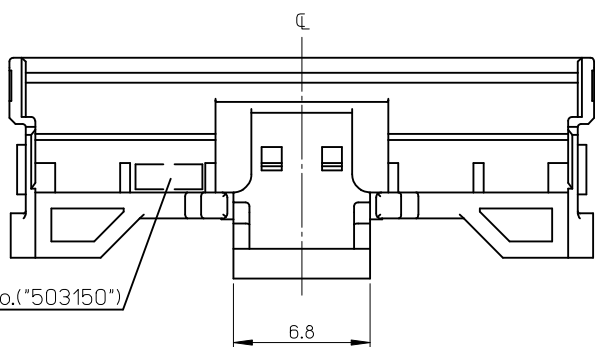
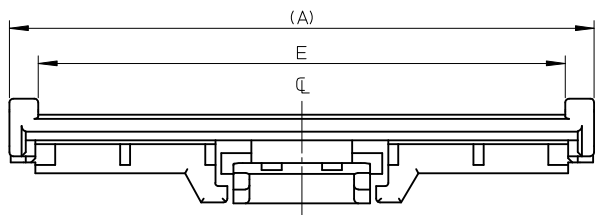
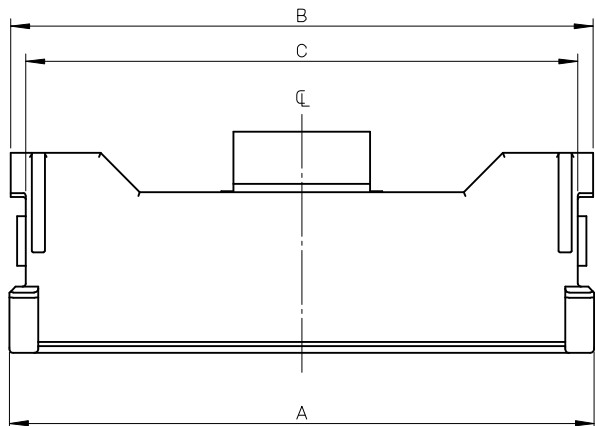


ELV AND RoHS COMPLIANT.

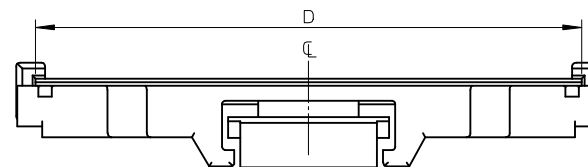
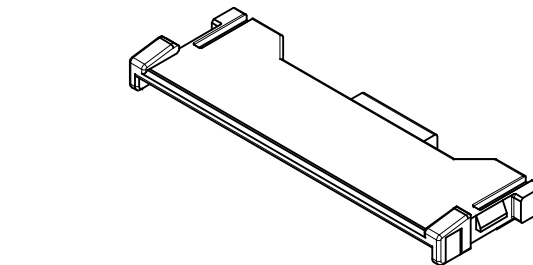
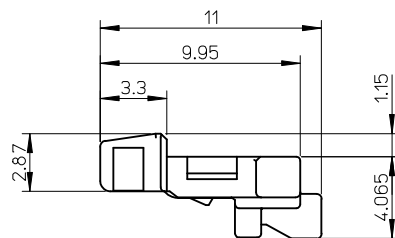


EGN. No.("503150")

注記 NOTE

1. 適合プラグジャケットカバー: 503151-\*\*\*\*  
 APPLICABLE PLUG JACKET COVER : 503151-\*\*\*\*

2. 材質  
 MATERIAL  
 PBT, UL94V-0, 色:黒色  
 PBT, UL94V-0, COLOR:BLACK



26.2	27.16	27.46	28.96	29.08	503150-5009	50
E	D	C	B	A	PLASTIC BAG	CKTS.
					ORDER NO. オーダー番号	

REVISED EC NO: J2009-1709 DRWN:NAKAGAWA01 2009/01/14 CHKD:HMATSUMOTO 2009/01/14 APPR:NUKITA 2009/01/14	DESCRIPTION	GENERAL TOLERANCES (UNLESS SPECIFIED)		DIMENSION STYLE	SCALE	DESIGN UNITS	THIRD ANGLE PROJECTION
		10 UNDER	±0.2	MM ONLY	///	METRIC	
		10 OVER 30 UNDER	±0.25				
		30 OVER	±0.3				
		ANGULAR	±1 °				
		DRAFT WHERE APPLICABLE MUST REMAIN WITHIN DIMENSIONS		SEE TABLE			
		SIZE	A3	THIS DRAWING CONTAINS INFORMATION THAT IS PROPRIETARY TO MOLEX INCORPORATED AND SHOULD NOT BE USED WITHOUT WRITTEN PERMISSION			

DRAWN BY		DATE	TITLE	
M.NABEI		'08/07/07	0.5 FFC TO BOARD CONN. PLUG JACKET	
CHECKED BY		DATE		
K.MORIKAWA		'08/07/07		
APPROVED BY		DATE		
H.HIRATA		'08/07/07		
MATERIAL NO.		DOCUMENT NO.		
		SD-503150-001		
		SHEET NO.	1 OF 1	