

CONTACT ORIENTATION ON ROLL

NOTES: (UNLESS OTHERWISE SPECIFIED)  
1. MATERIAL:

- 1.1. CONTACT BODY: COPPER ALLOY.
- 1.2. OUTER SPRING: STAINLESS STEEL.

2. SPECIFICATIONS:

- 2.1 CURRENT RATING: 5A MAX.
- 2.2 TERMINATION TYPE: CRIMPING.
- 2.3 WIRE RANGE: 30-28AWG.
- 2.4 WIRE INSULATION DIA(MAX):  $\varnothing 1.8\text{mm}$ .

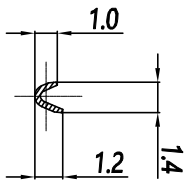
3. ROHS COMPLIANT.

4. ALL DIMENSIONS ARE FOR REFERENCE USE ONLY.

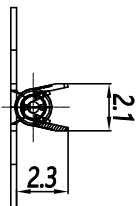
5. AVAILABLE TOOLS:

- 5.1 HAND CRIMPER: MFX-3958. (B2)
- 5.2 CRIMP APPLICATOR: MFX-3957.
- 5.3 EXTRACTION TOOL: QXRT20.

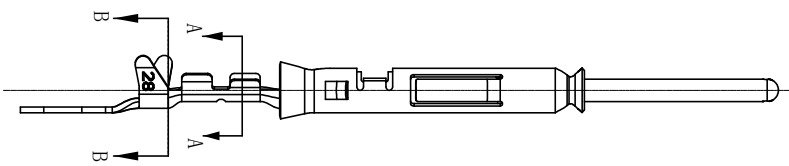
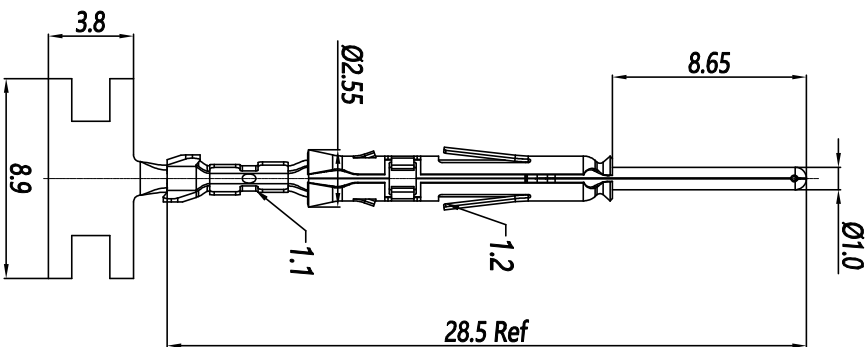
| P/N       | CONTACT PLATING(MATING AREA)         |
|-----------|--------------------------------------|
| SP28W1T   | TIN PLATING OVER NICKEL.             |
| SP28W1F   | GOLD FLASH PLATING OVER NICKEL.      |
| SP28W1G5  | 5 $\mu$ " GOLD PLATING OVER NICKEL.  |
| SP28W1G10 | 10 $\mu$ " GOLD PLATING OVER NICKEL. |
| SP28W1G15 | 15 $\mu$ " GOLD PLATING OVER NICKEL. |
| SP28W1G30 | 30 $\mu$ " GOLD PLATING OVER NICKEL. |



SECTION A-A



SECTION B-B



| REVISIONS |     |                     |             |      |       |
|-----------|-----|---------------------|-------------|------|-------|
| REV       | ECO | DESCRIPTION         | DATE        | BY   | APPR  |
| B1        | -   | RELEASED DRAWING    | AUG-18-2014 | BEN  | TOMMY |
| B2        | -   | CHANGE HAND CRIMPER | Nov-8-19    | Flan | Tommy |

| QUANTITY | PART NUMBER | DESCRIPTION           | ITEM |
|----------|-------------|-----------------------|------|
|          |             | <b>MATERIALS LIST</b> |      |

| UNLESS OTHERWISE SPECIFIED            |           |       |          |
|---------------------------------------|-----------|-------|----------|
| 1) All dimensions are in millimeters. | DRAWN:    | RAI   | Nov-8-19 |
| 2) Tolerances are as follows:         | CHECKED:  | MWH   | Nov-8-19 |
| 1 Pt. DEC 20-90                       | ENGINEER: |       |          |
| 3 Pt. DEC 20-08                       | APPROVE:  | Tommy | Nov-8-19 |
| 3) Note reference = $\Delta$          | CUSTOMER: |       |          |

| PROCESS SPECIFICATIONS                            |             | MATERIAL SPECIFICATIONS |          |
|---|-------------|-------------------------|----------|
| ECO-MATE PIN CONTACT, STAMPED, 30-28AWG, SIZE 20. | SIZE        | TYPE                    | DWG NO.  |
|   | B           | C-                      | SP28W1XX |
|   | SCALE: NONE |                         | REVISION |
|   |             |                         | B2       |

**Amphenol**

Sine Systems - www.amphenol-sine.com  
44724 Montley Drive  
Clinton Township, MI 48038

ECO-MATE PIN CONTACT,  
STAMPED, 30-28AWG, SIZE 20.

| SCALE | TYPE | DWG NO. | REVISION |
|-------|------|---------|----------|
| NONE  | B    | C-      | SP28W1XX |
|       |      |         | B2       |