

SPECIFICATION

Part No. : **GP.1575.25.4.A.02**

Product Name : 4mm thick GPS/Galileo Patch Antenna

Features : 25mm*25mm*4mm
Halogen Free
RoHS and REACH Compliant



1. Introduction

This miniaturized ceramic GPS/Galileo patch antenna is based on smart **XtremeGain**™ technology. It is mounted via pin and double-sided adhesive and has been tuned as optimal solution for the customer device environment.

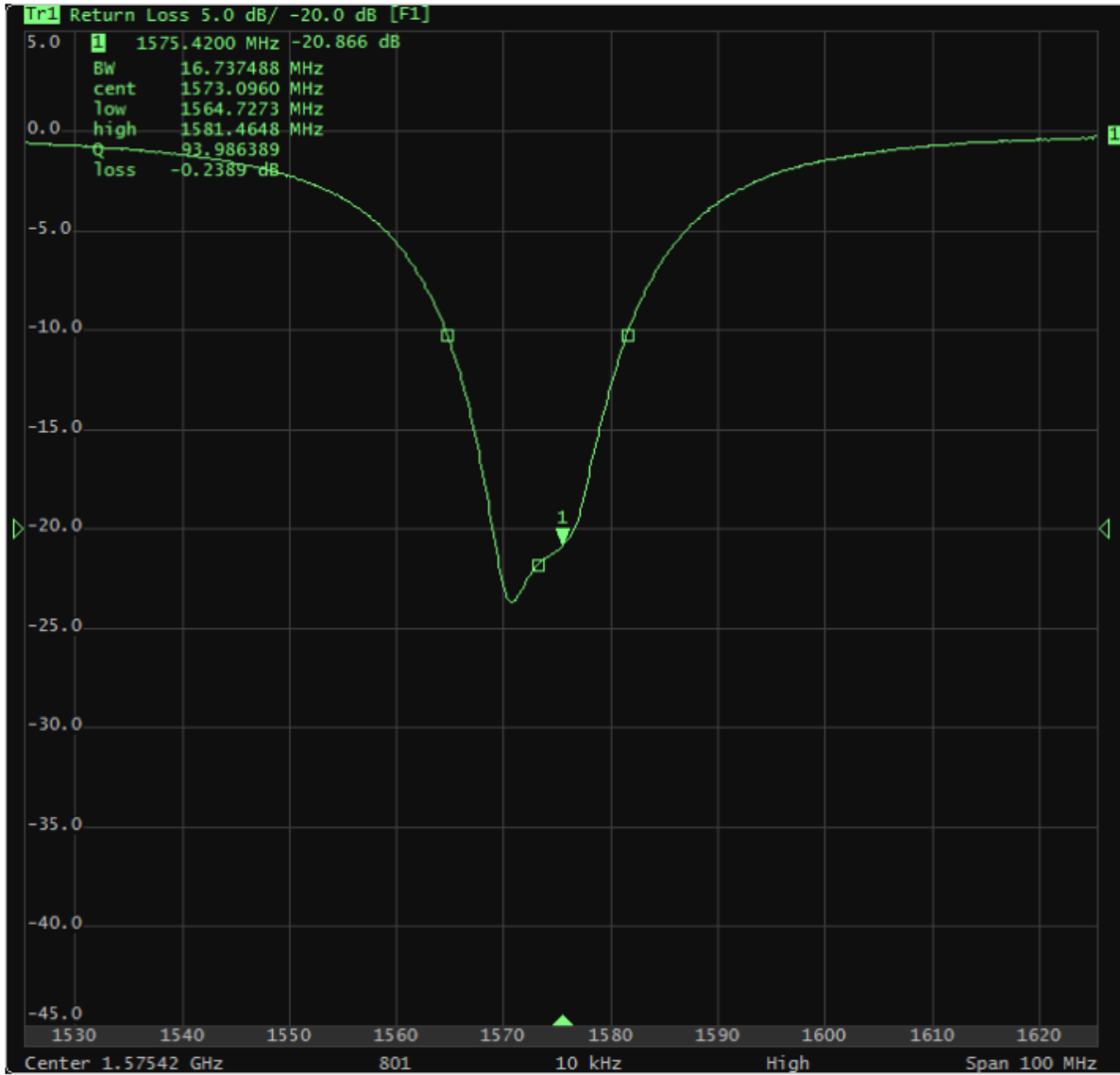
2. Specification Table

Original Patch Specification tested on 50*50mm ground plane

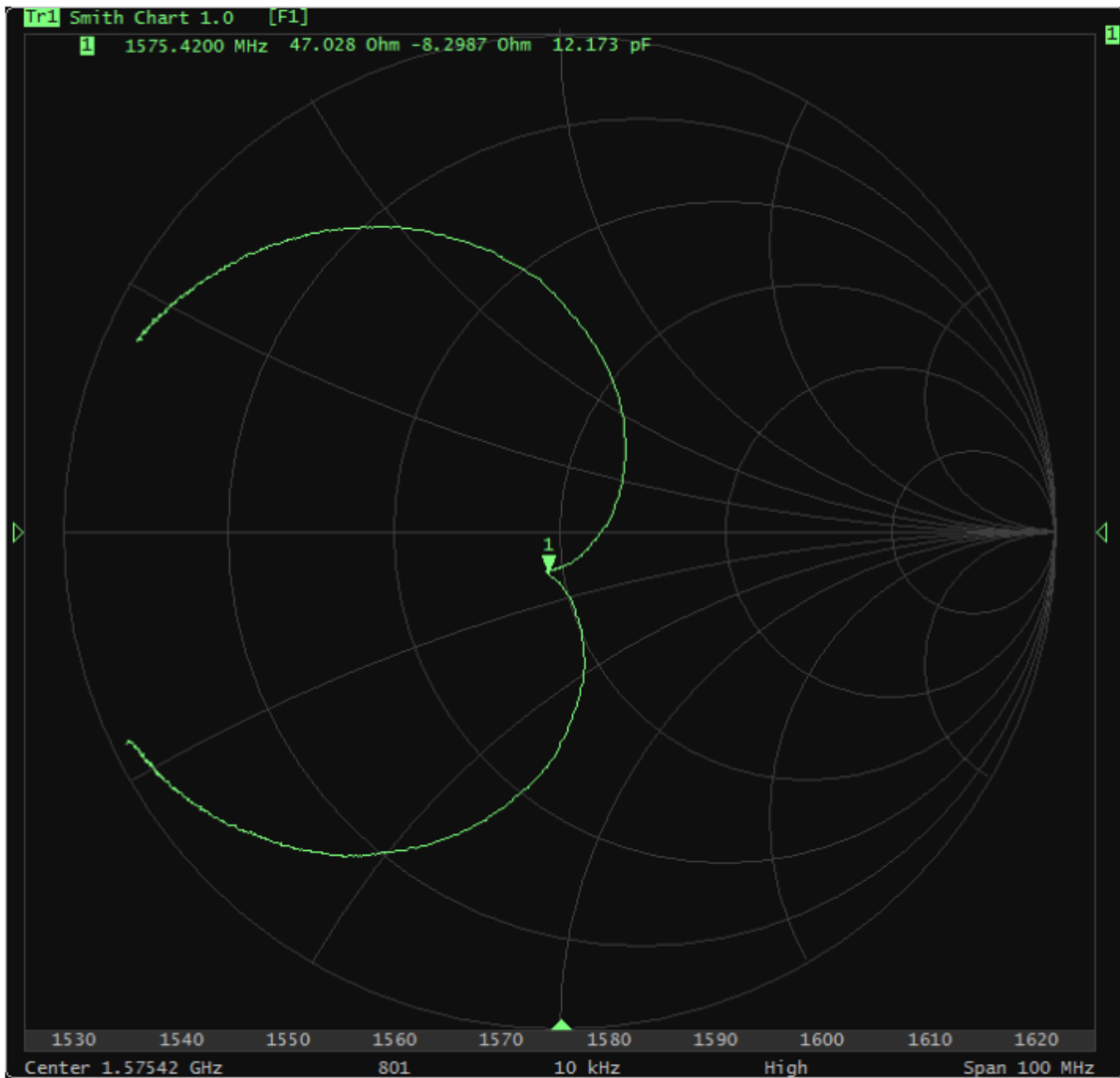
No	Parameter	Specification
1	Range of Receiving Frequency	1575.42MHz +/- 1.023MHz
	Center Frequency	1575MHz +/- 3MHz
2	Impedance	50Ω
3	Bandwidth	10 MHz min Return Loss <-10dB
4	VSWR	2:1
5	Gain toward Zenith	1.55 dBic typ.
6	Gain at 10°Elevation	-2.5 dBic typ.
7	Axial Ratio	3dB Max.
8	Polarization	Right Hand Circular Polarization
9	Frequency Temperature Coefficient (Tf)	0 ± 20ppm/°C
	Operating Temperature	-40°C to +85°C

3. Electrical Specification

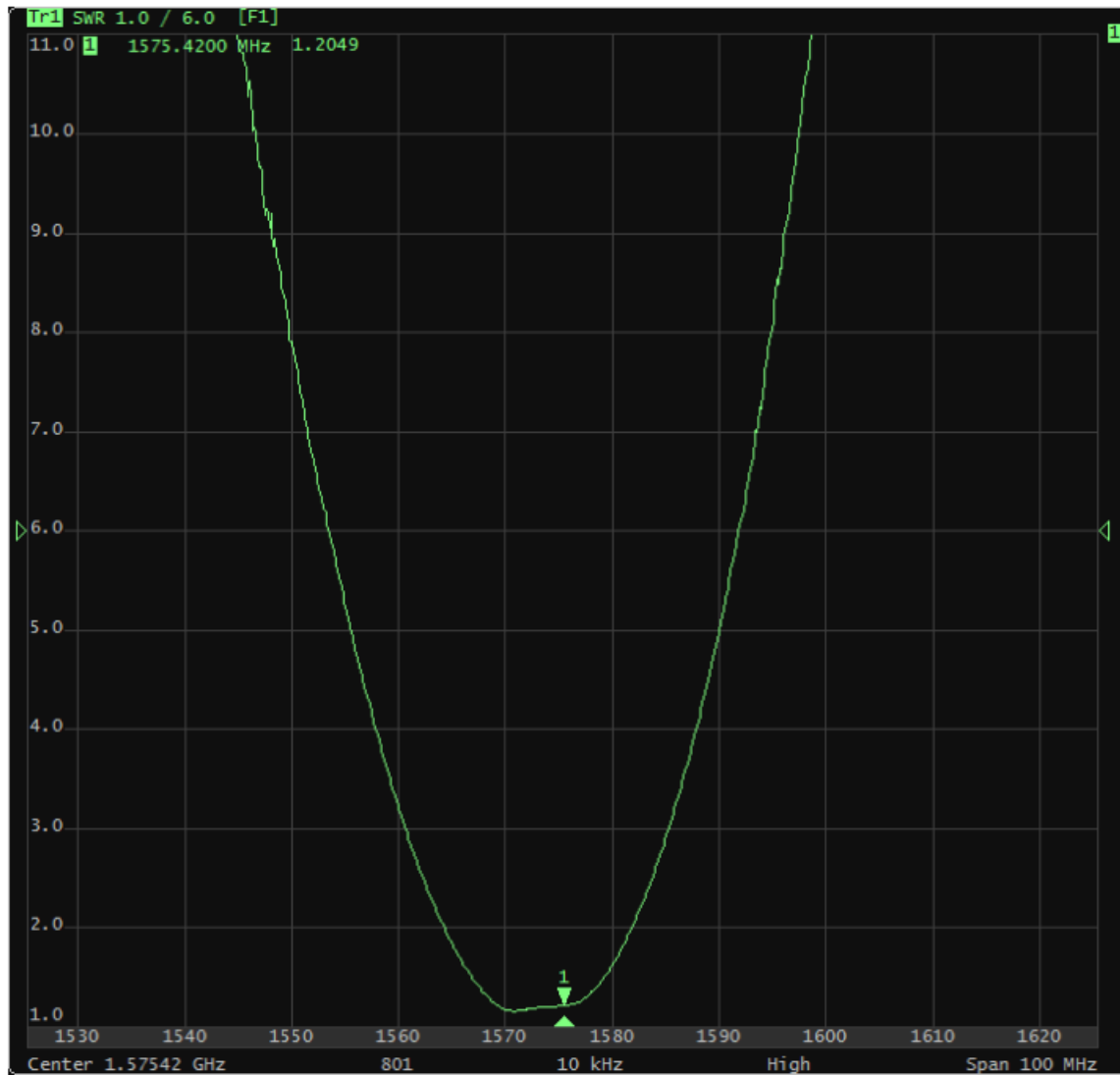
3.1 Return Loss



3.2 Smith Chart

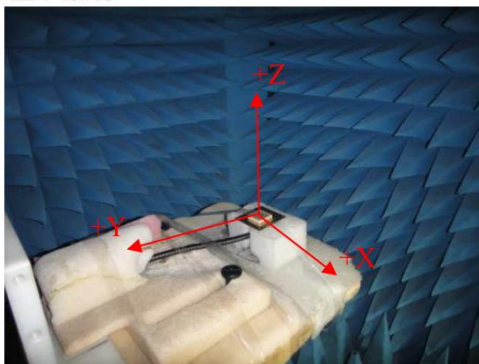


3.3. VSWR

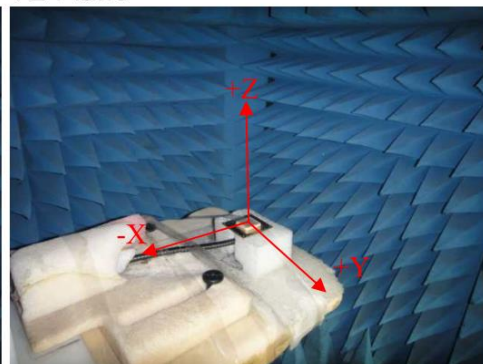


4. 2D Radiation Patterns

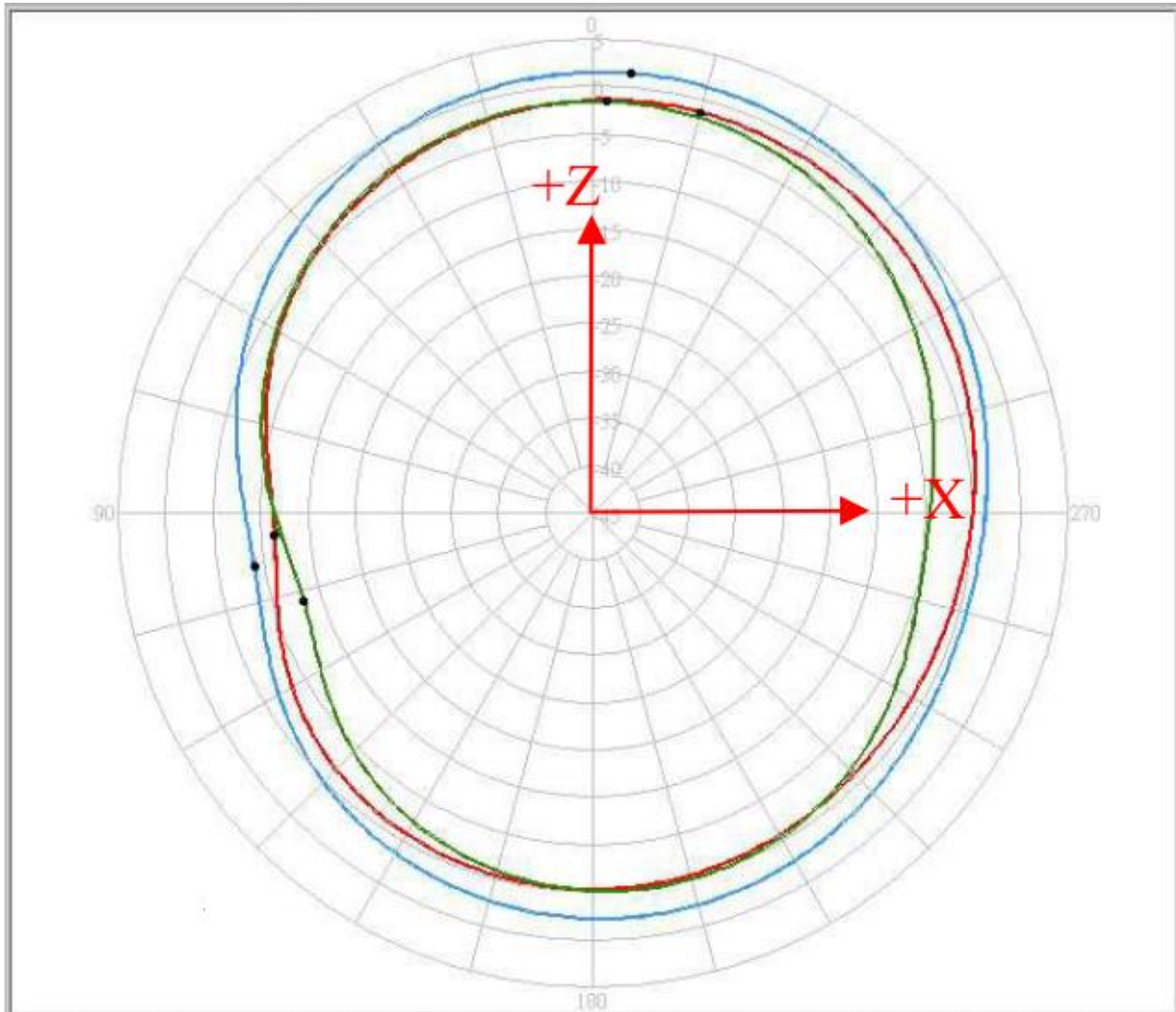
XZ-Plane



YZ-Plane

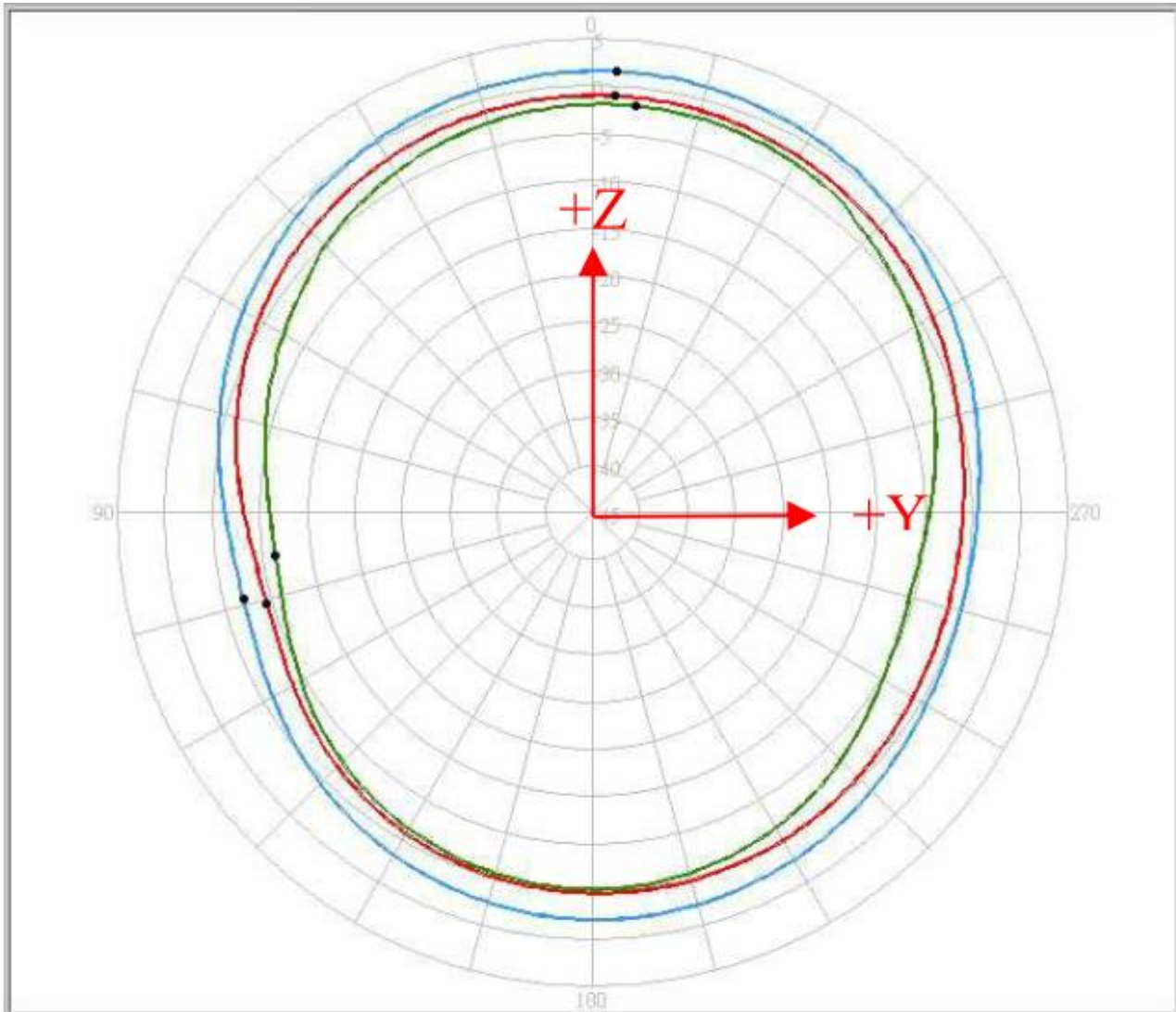


4.1 XZ Patterns



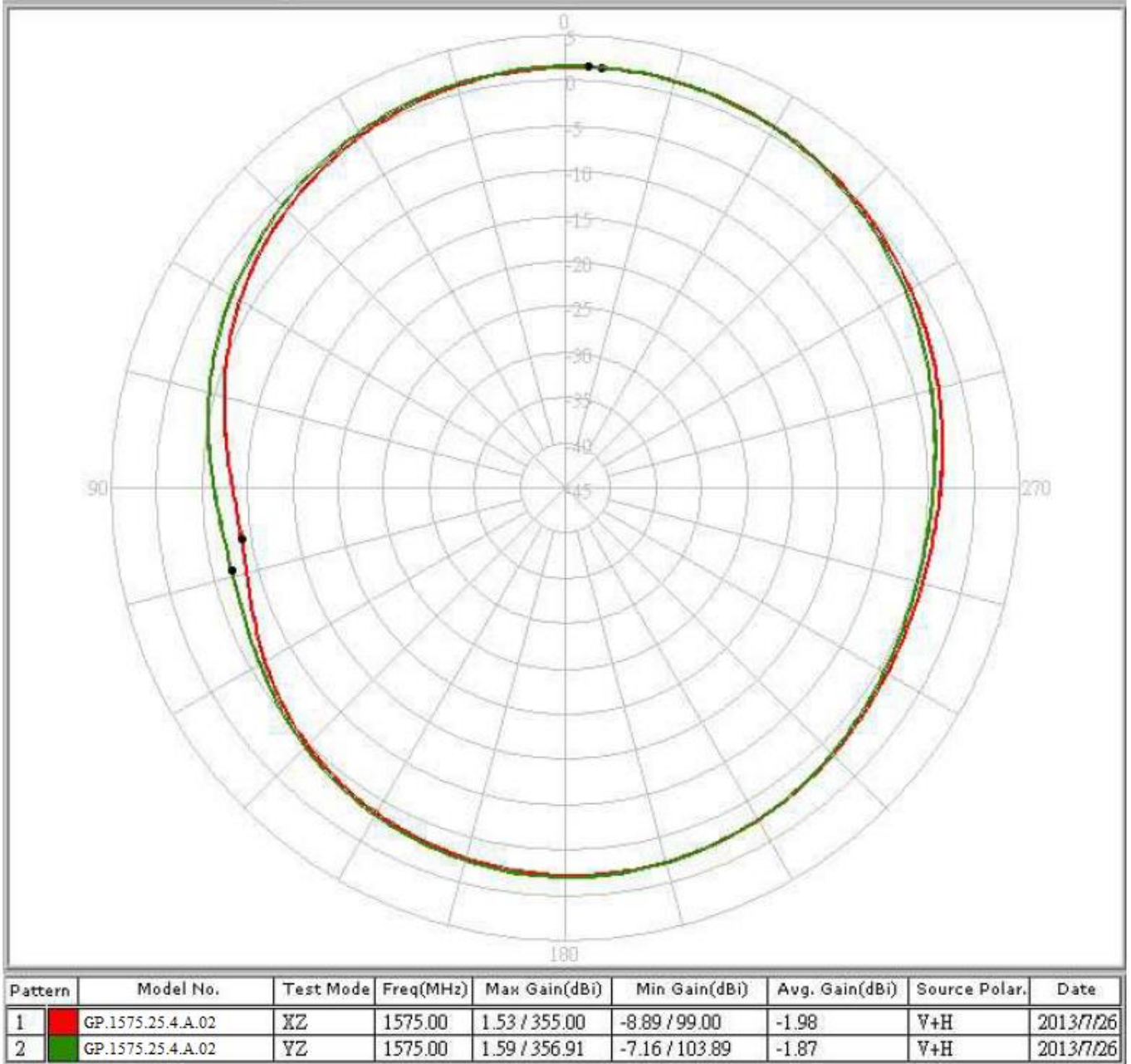
Pattern	Model No.	Test Mode	Freq(MHz)	Max Gain(dBi)	Min Gain(dBi)	Avg. Gain(dBi)	Source Polar.	Date
1	GP.1575.25.4.A.02	XZ	1575.00	-1.28 / 345.00	-11.43 / 94.00	-4.54	Hor.	2013/7/26
2	GP.1575.25.4.A.02	XZ	1575.00	-1.60 / 358.00	-13.17 / 107.00	-5.50	Ver.	2013/7/26
3	GP.1575.25.4.A.02	XZ	1575.00	1.53 / 355.00	-8.89 / 99.00	-1.98	Y+H	2013/7/26

4.2 YZ Patterns



Pattern	Model No.	Test Mode	Freq(MHz)	Max Gain(dBi)	Min Gain(dBi)	Avg. Gain(dBi)	Source Polar.	Date
1	GP.1575.254.A.02	YZ	1575.00	-1.00 / 356.97	-9.42 / 105.88	-4.18	Hor.	2013/7/26
2	GP.1575.254.A.02	YZ	1575.00	-1.88 / 353.83	-11.35 / 97.71	-5.68	Ver.	2013/7/26
3	GP.1575.254.A.02	YZ	1575.00	1.59 / 356.91	-7.16 / 103.89	-1.87	V+H	2013/7/26

5. Gain Pattern Value



Angle	XZ-Plane	YZ-Plane
90°	-8.37	-6.59
75°	-6.12	-4.70
60°	-3.66	-2.80
45°	-1.65	-1.05
30°	-0.11	0.26
15°	0.94	1.14
0°	1.45	1.55
345°	1.46	0.00
330°	0.99	0.00
315°	0.11	0.57
300°	-1.10	-0.82
285°	-2.45	-2.45
270°	-3.69	-3.94

(Unit : dBi)

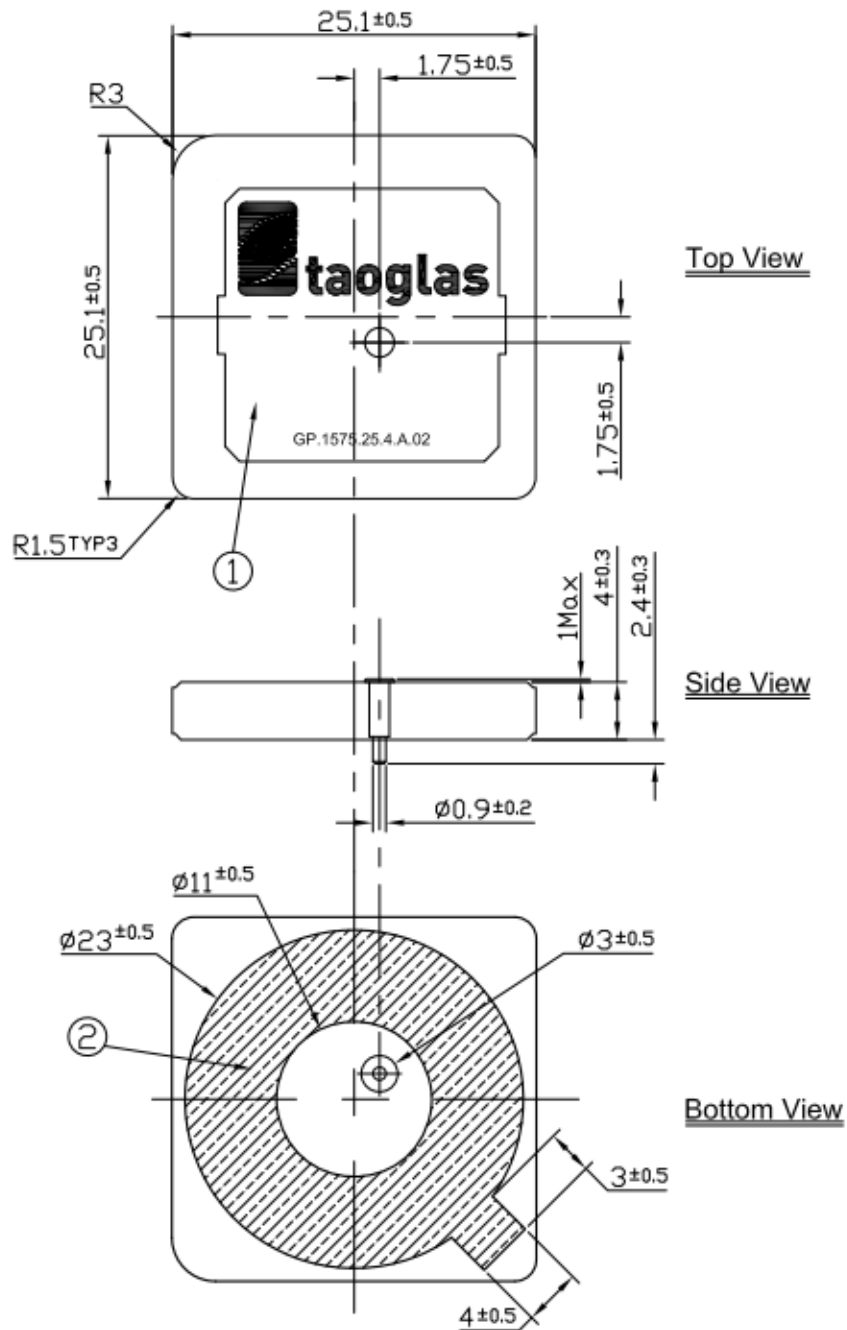
6. Axial Ratio Pattern



Angle	Axial Ratio
90°	10.17
75°	3.27
60°	2.03
45°	1.51
30°	1.14
15°	0.87
0°	0.83
345°	1.14
330°	1.88
315°	2.94
300°	4.58
285°	6.86
270°	12.88

(At 1575.42MHz)

7. 2D Mechanical Drawing

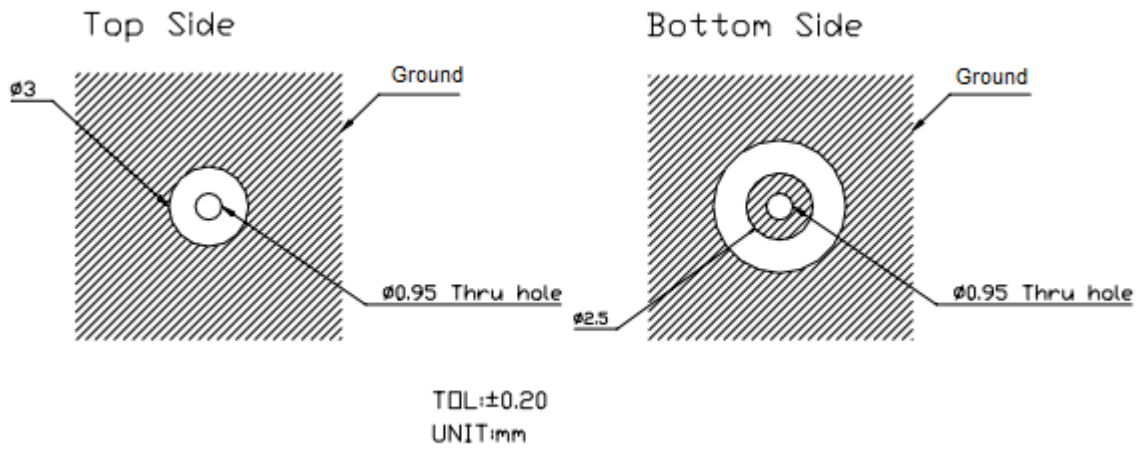


NOTES:

1. Double sided adhesive area 

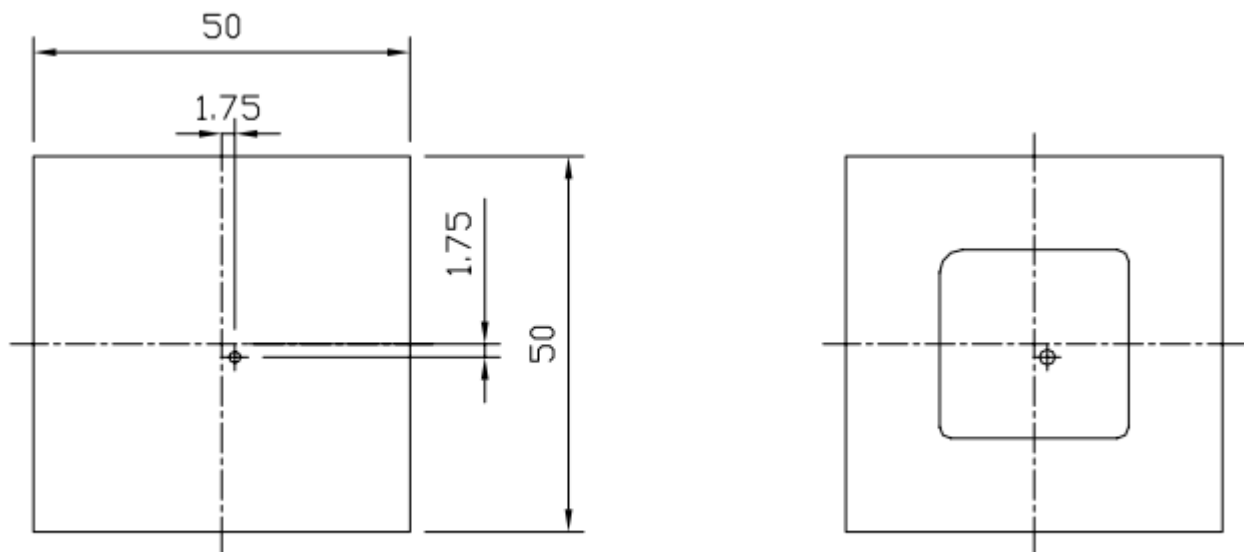
	Name	Material	Finish	QTY
1	GP.1575 Patch 25x25x4	Ceramic	Clear	1
2	Double sided Adhesive	NITTO 5015	White Liner	1

7.1 Layout Dimension

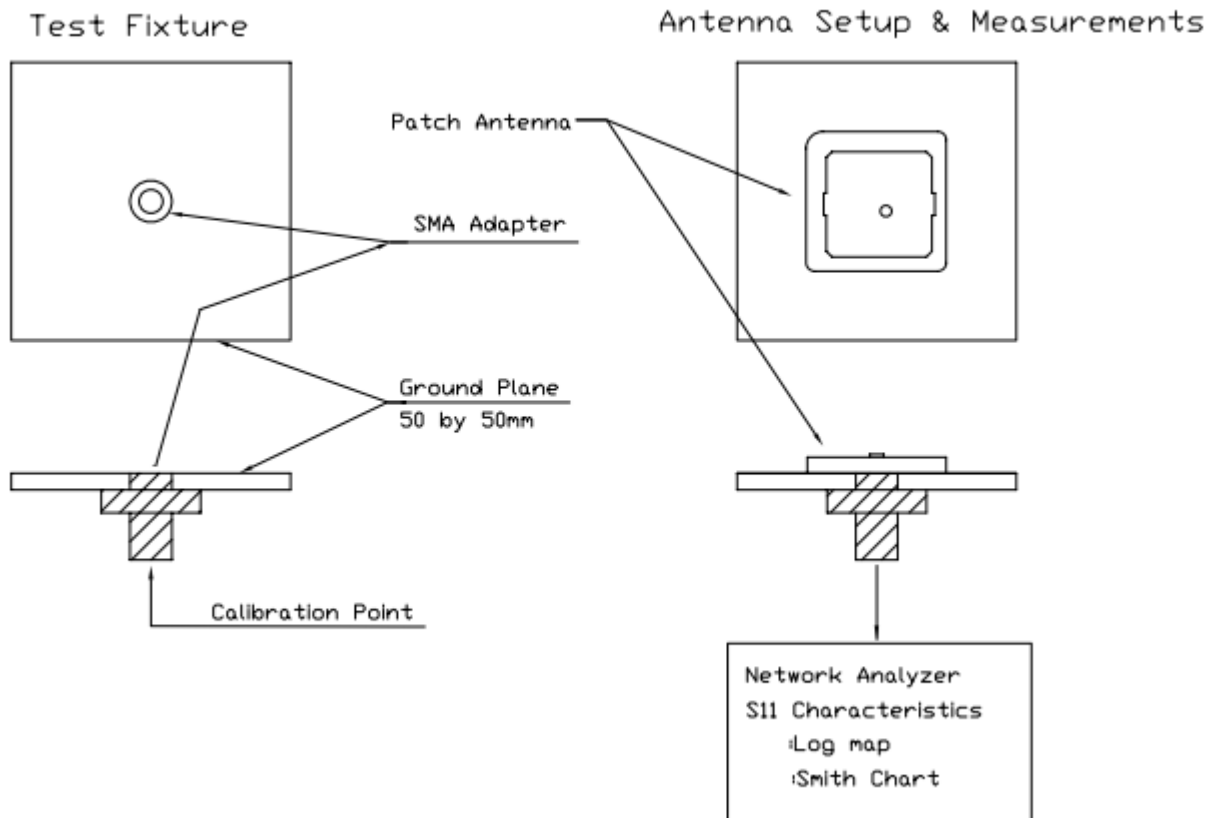


*Note Layout Dimensions may be affected by the thickness of the PCB

8. Test Jig and Dimension



8.1 Test Fixture Antenna Setup and Measurements

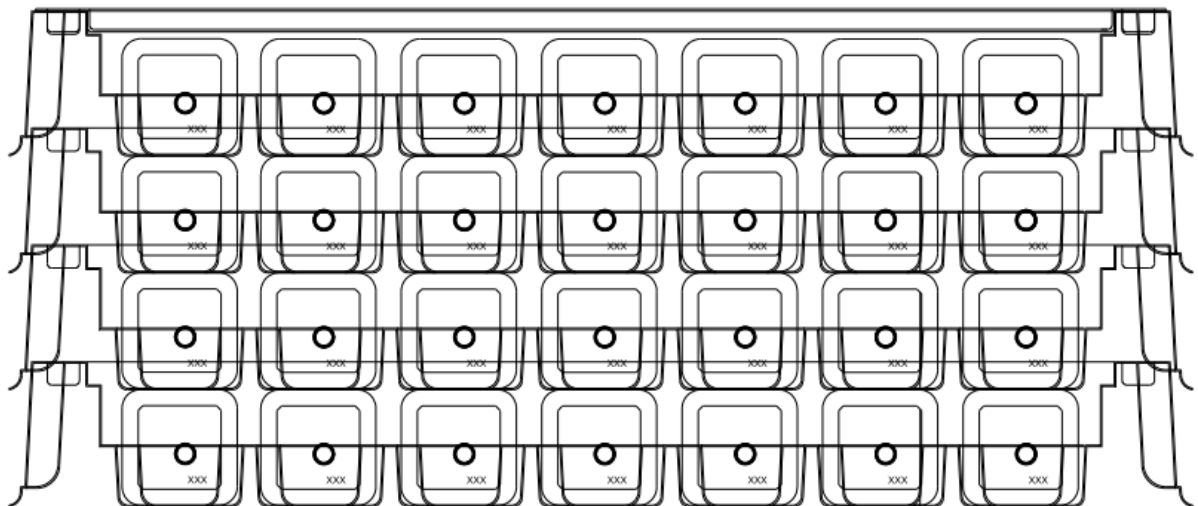
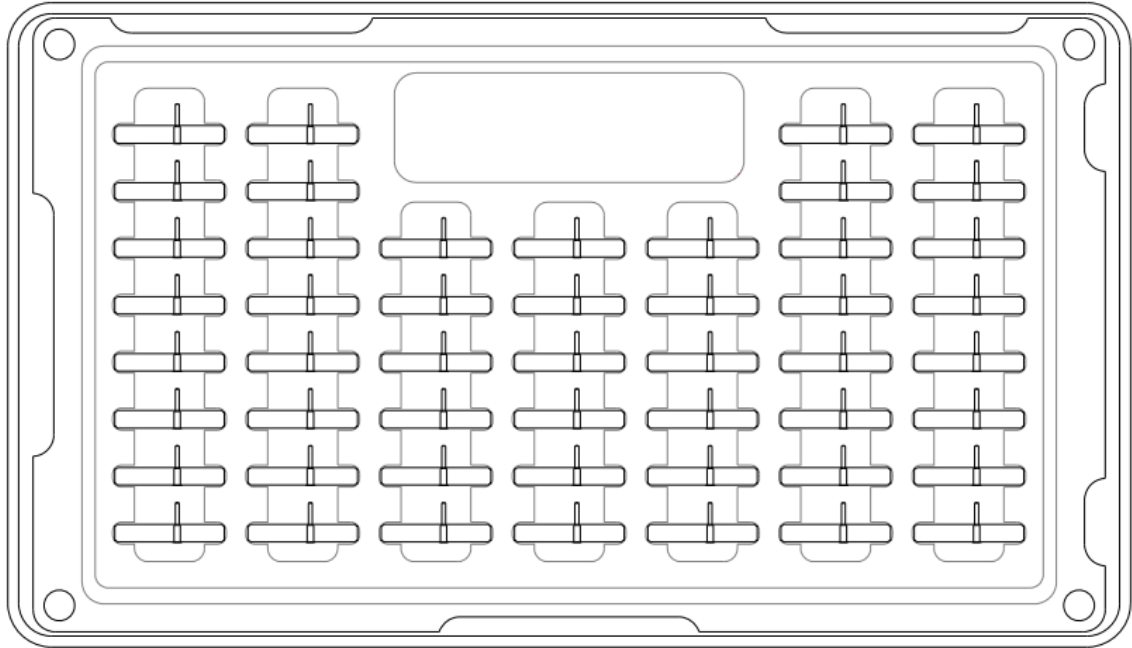


9. Packaging

50 pieces per Tray

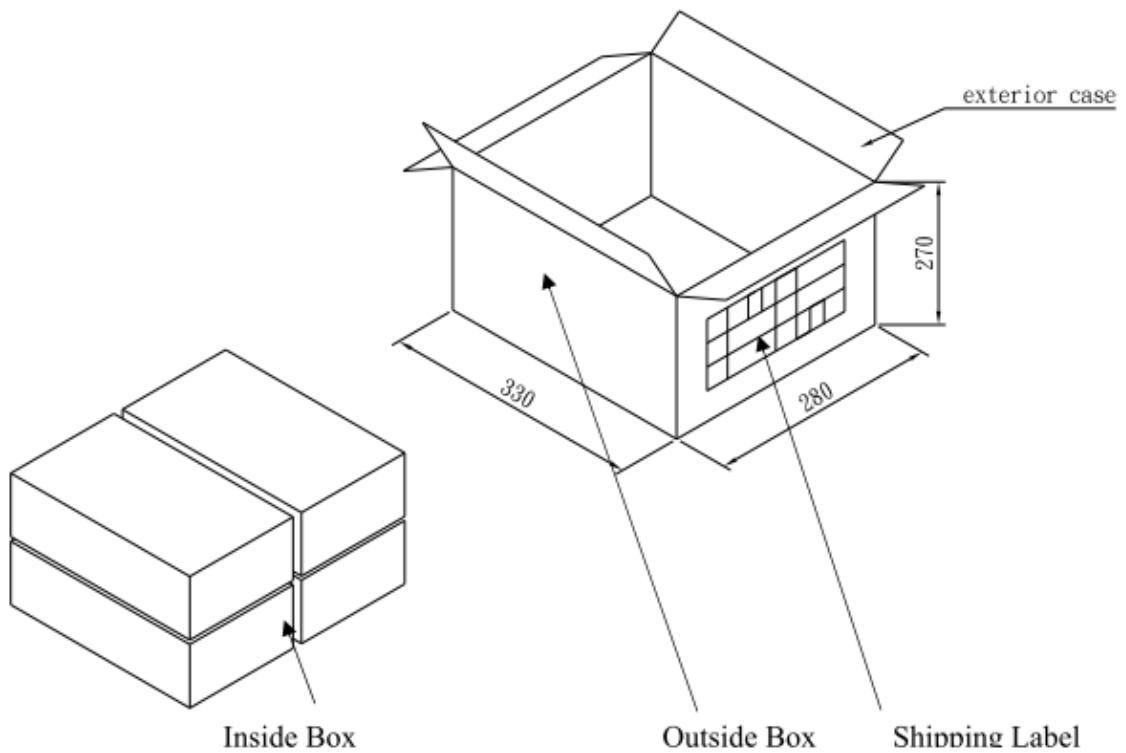
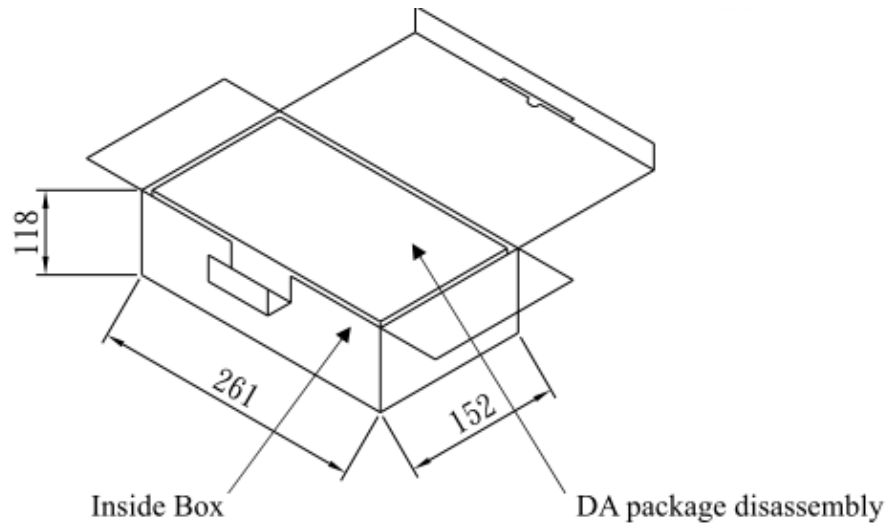
200 per Inner Carton

4 x 200 – 800 pieces per Outer Carton





TAOGLAS®



Taoglas makes no warranties based on the accuracy or completeness of the contents of this document and reserves the right to make changes to specifications and product descriptions at any time without notice. Taoglas reserves all rights to this document and the information contained herein.

Reproduction, use or disclosure to third parties without express permission is strictly prohibited.

© Taoglas