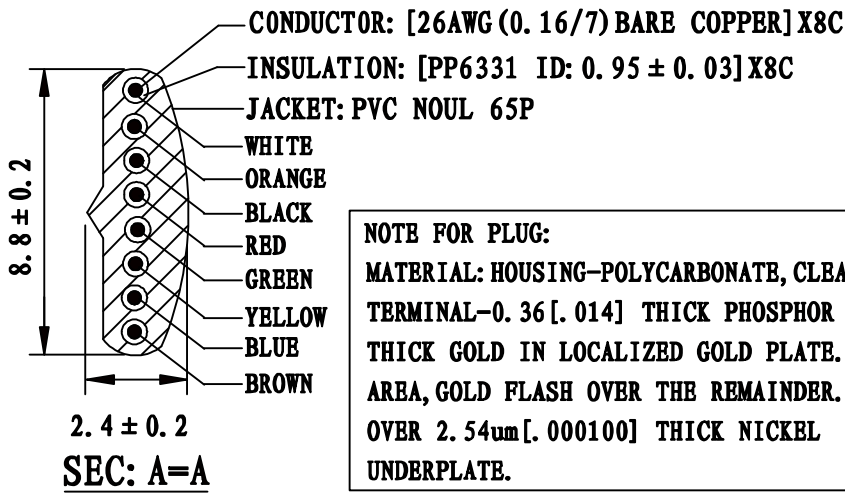
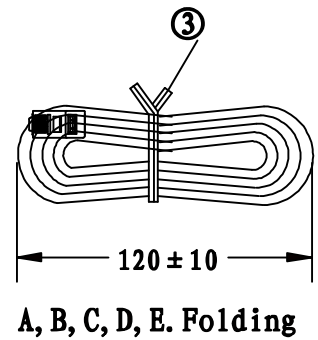


**PACKAGE: INDIVIDUAL PE BAG.**

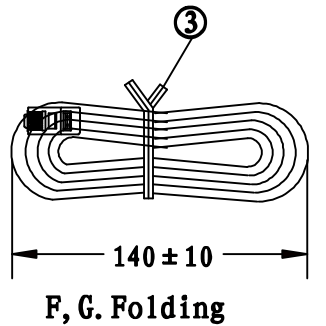


P1	COLOR
1	WHITE
2	ORANGE
3	BLACK
4	RED
5	GREEN
6	YELLOW
7	BLUE
8	BROWN

NO	ITEM	DESCRIPTION	Q' TY
①	CABLE		1 PCS
②	PLUG	8P8C 50U"	1 PCS
③	CABLE TIE		1 PCS
④			
⑤			
⑥			



PART NO	DRAWING NO	WIRE LENTH "L"	BUYER COLOR	VENDOR COLOR	CUT LENGTH
513-26-8800-SV-0005F	A	1525 ± 20 (5FT)	Silver	S49-1 LIGHT	1525-1535MM
513-26-8800-SV-0007F	B	2135 ± 30 (7FT)	Silver	S49-1 LIGHT	2135-2145MM
513-26-8800-SV-0010F	C	3050 ± 60 (10FT)	Silver	S49-1 LIGHT	3050-3060MM
513-26-8800-SV-0012F	D	3660 ± 60 (12FT)	Silver	S49-1 LIGHT	3660-3670MM
513-26-8800-SV-0014F	E	4270 ± 60 (14FT)	Silver	S49-1 LIGHT	4270-4280MM
513-26-8800-SV-0025F	F	7625 ± 100 (25FT)	Silver	S49-1 LIGHT	7625-7635MM
513-26-8800-SV-0050F	G	15250 ± 150 (50FT)	Silver	S49-1 LIGHT	15250-15260



REVISE	VERSION	BASIS	CONTENTS
12-02-20	A/0	T0210A	NEW DRAWING

CnC Tech, LLC	
Industrial Cable and Connector Technology	
IDRAWING NO: 671-352	CUSTOMER: L-671
ITEM NO: 8C CABLE P+O PLUG	UNIT: mm
DATE: 2012-02-20	ISSUE: (A/0)
DRAWN: _____	QE: _____
SALES DEPT: _____	SALES MANAGER: _____