

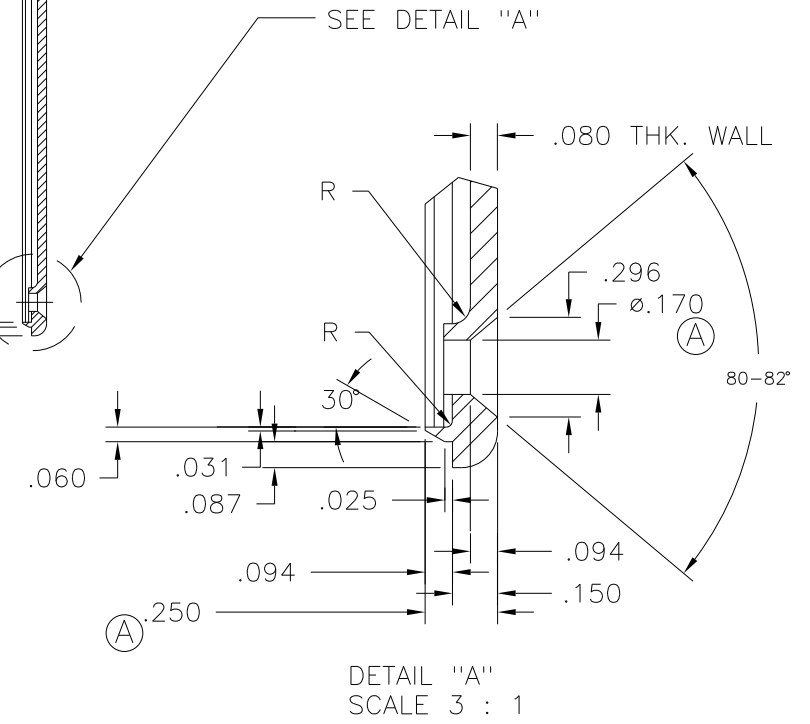
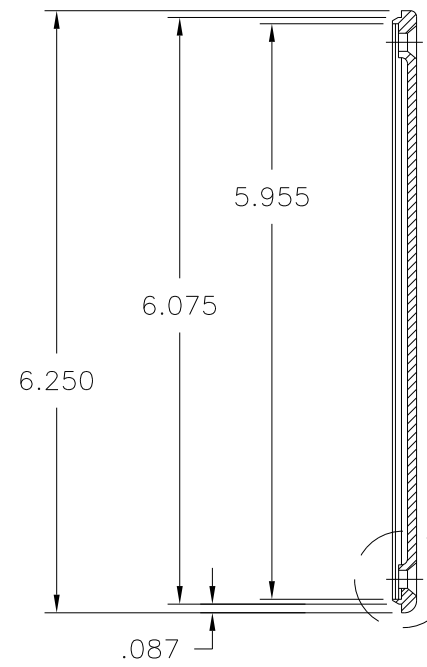
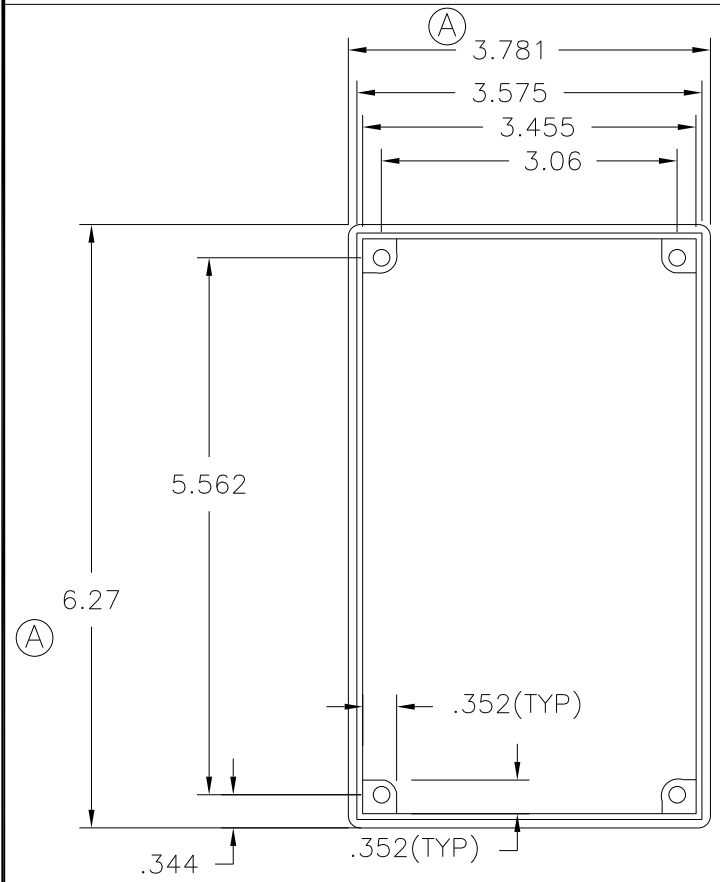
PART NAME: COVER SCALE: HALF DATE: 7/25/86 DR. BY HD

THIS DRAWING IS THE PROPERTY OF DAVIES MOLDING COMPANY, IS SUBMITTED SOLELY AS A DESIGN OR ENGINEERING PROJECT. WE ACCEPT NO RESPONSIBILITY WHATSOEVER FOR THE PRACTICAL APPLICATION OF THE PIECES MADE TO THIS DESIGN.

DAVIES MOLDING COMPANY
CAROL STREAM, ILLINOIS 60188

P/N 0251	
M NO.	
CAVITY	0251
CORE	0251
PINS	0251

(TOOL ORDER # 5000)



MATERIAL :ABS
COLOR: BLACK

TOLERANCES: UNLESS OTHERWISE SPECIFIED	DO NOT SCALE DRAWING			
DECIMALS: X.XXX ± .005 X.XX ± .015	MM: X.XX ± 0.15MM X.X ± 0.4MM	A	6.280 WAS 6.250 0.250 WAS 0.243 ø0.170 WAS 0.172 3.781 WAS 3.750	DS 6/7/06
FRACTIONS ± 1/64	ANG. ± 1°	-	CAD/REDRAWN	HD 10/16/96
CHANGES				