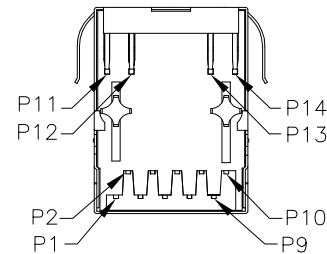
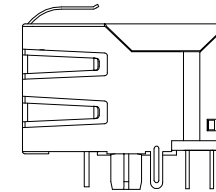
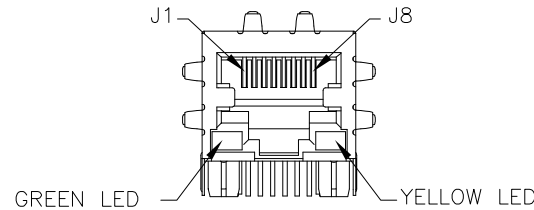
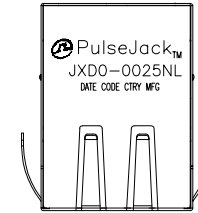




NOTES:

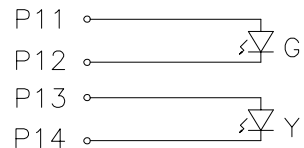
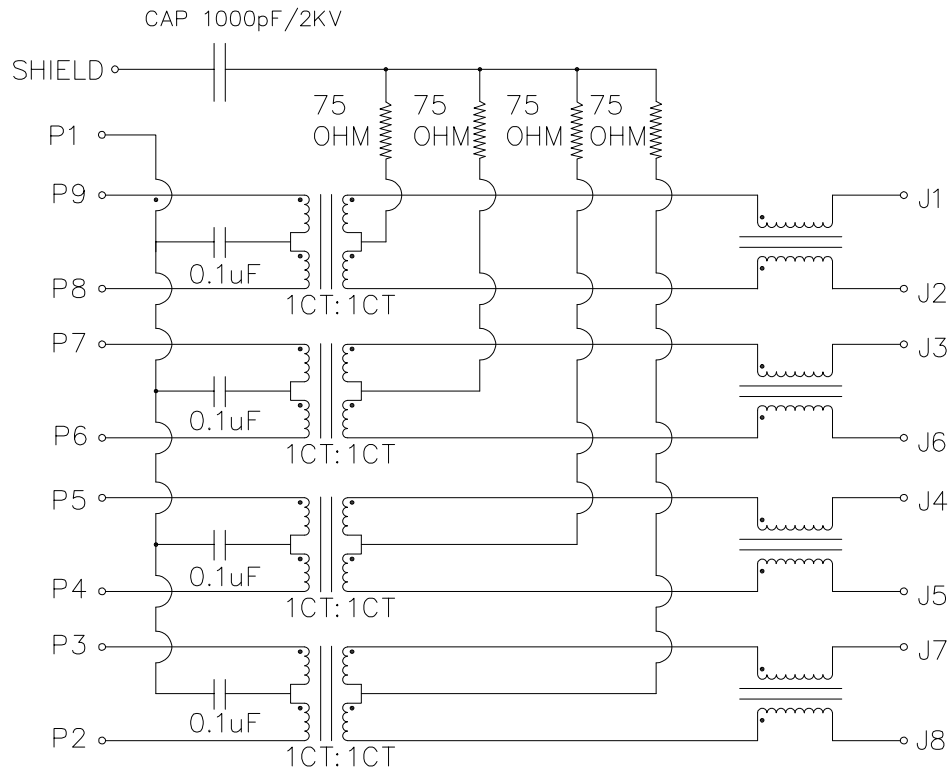
- CONNECTOR MATERIAL:  
HOUSING:THERMOPLASTIC BLACK UL94 V-0  
SHIELD:Brass  
SHIELD PLATING:NICKEL  
CONTACT:PHOSPHOR BRONZE  
CONTACT PLATING: SELECTIVE GOLD, 30 MICRO-INCHS MIN  
IN CONTACT AREA
- PIN NOT ELECTRICALLY CONNECTED MAYBE OMITTED SEE  
ELECTRICAL DRAWING FOR OMITTED PINS
- RJ45 CAVITIES CONFORM TO FCC RULES AND REGULATION  
PART 68.
- THE PART IS RECOMMENDED FOR WAVE SOLDERING  
PROCESS PEAK SOLDERING TEMPERATURE IS  
260°C MAX,10 SECS MAX
- OPERATING TEMPERATURE T=-40°C TO +85°C.
- STORAGE TEMPERATURE T=-40°C TO +85°C.
- PACKAGING INFORMATION: 50 PCS/ TRAY, 1200 PCS/BOX.



FINAL OUTLINE

© Copyright, 2017. Pulse Electronics Corp. All rights reserved. Pulse confidential & proprietary. (07/26/17)

| PRODUCT DESCRIPTION      | TLA DRAWING    | PS DRAWING | SHEET  | PART NO.    | DATASHEET REV. |
|--------------------------|----------------|------------|--------|-------------|----------------|
| CONN,RJ45,1X1,1GD,1:1,TU | JXD0-0025NL-11 | -          | 1 OF 5 | JXD0-0025NL | B              |



SCHEMATIC

ELECTRONICAL SPECIFICATIONS:

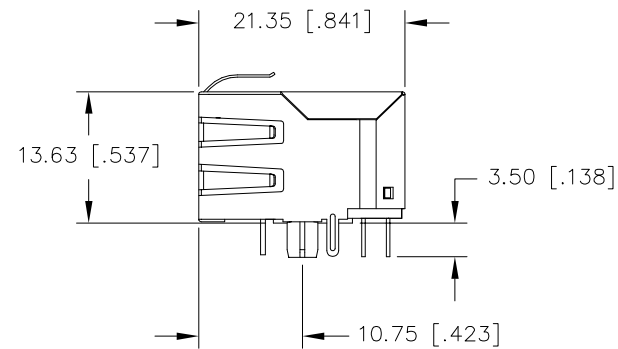
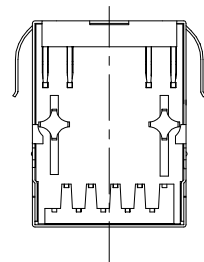
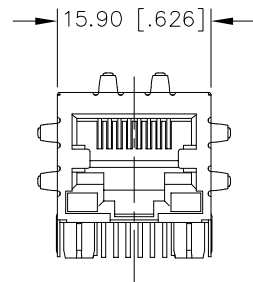
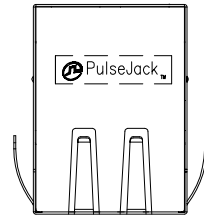
- TURN RATIO @100KHz: (P9~P8):(J1~J2) = 1:1±5%  
(P7~P6):(J3~J6) = 1:1±5%  
(P5~P4):(J4~J5) = 1:1±5%  
(P3~P2):(J7~J8) = 1:1±5%
- PRIMARY INDUCTANCE: 350uH MIN @100KHZ,0.1V 8mA DC BIAS
- DC RESISTANCE: 1.2 OHMS MAX
- INSERTION LOSS: 1-100MHz -1.0dB MAX  
100-125MHz -1.2dB MAX
- RETURN LOSS: 1-40MHz -16dB MIN  
40-60MHz -12dB MIN  
60-80MHz -10dB MIN  
80-100MHz -8dB MIN
- CROSS TALK: 1-100MHz -30dB MIN
- COMMON TO COMMON MODE ATTENUATION: 1-100MHz -30dB MIN
- ISOLATION: PHY SIDE TO LINE SIDE: 2250VDC

LED SPECIFICATIONS:

| STANDARDLED | WAVELENGTH | FORWARD V (MAX) | TYP  |
|-------------|------------|-----------------|------|
| GREEN       | 565nm      | 2.4V            | 2.2V |
| YELLOW      | 590nm      | 2.5V            | 2.1V |

\*WITH A FORWARD CURRENT OF 20mA

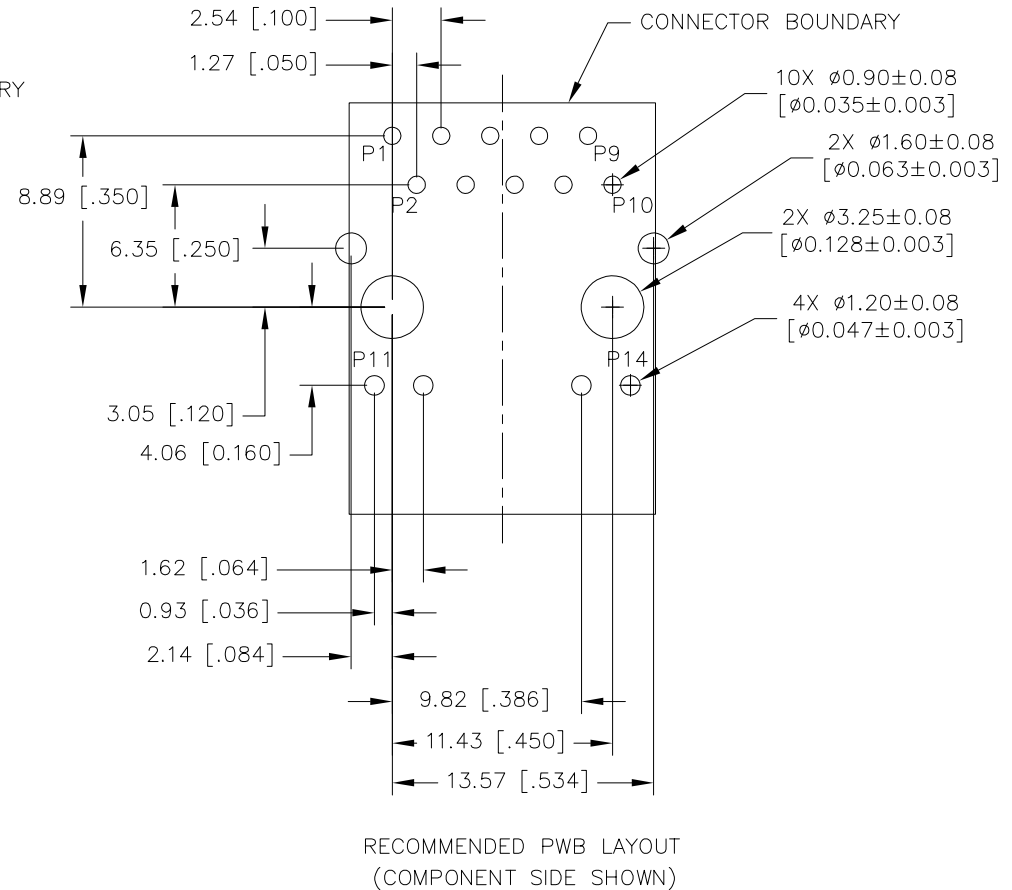
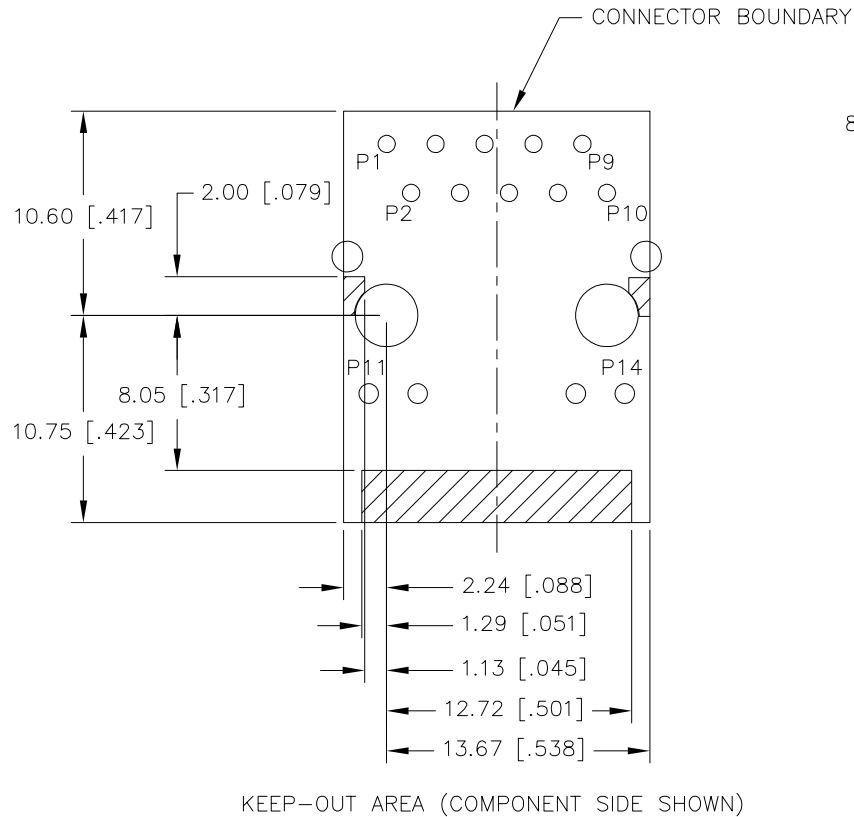
| PRODUCT DESCRIPTION      | TLA DRAWING    | PS DRAWING | SHEET  | PART NO.    | DATASHEET REV. |
|--------------------------|----------------|------------|--------|-------------|----------------|
| CONN,RJ45,1X1,1GD,1:1,TU | JXD0-0025NL-11 | -          | 2 OF 5 | JXD0-0025NL | B              |



DIMENSIONS ARE IN MILLIMETERS [INCHES] WITH THE FOLLOWING TOLERANCES: [INCHES] ARE FOR REFERENCE ONLY.  
X.XX= ±0.25 [±.010]

© Copyright, 2017. Pulse Electronics Corp. All rights reserved. Pulse confidential & proprietary. (07/26/17)

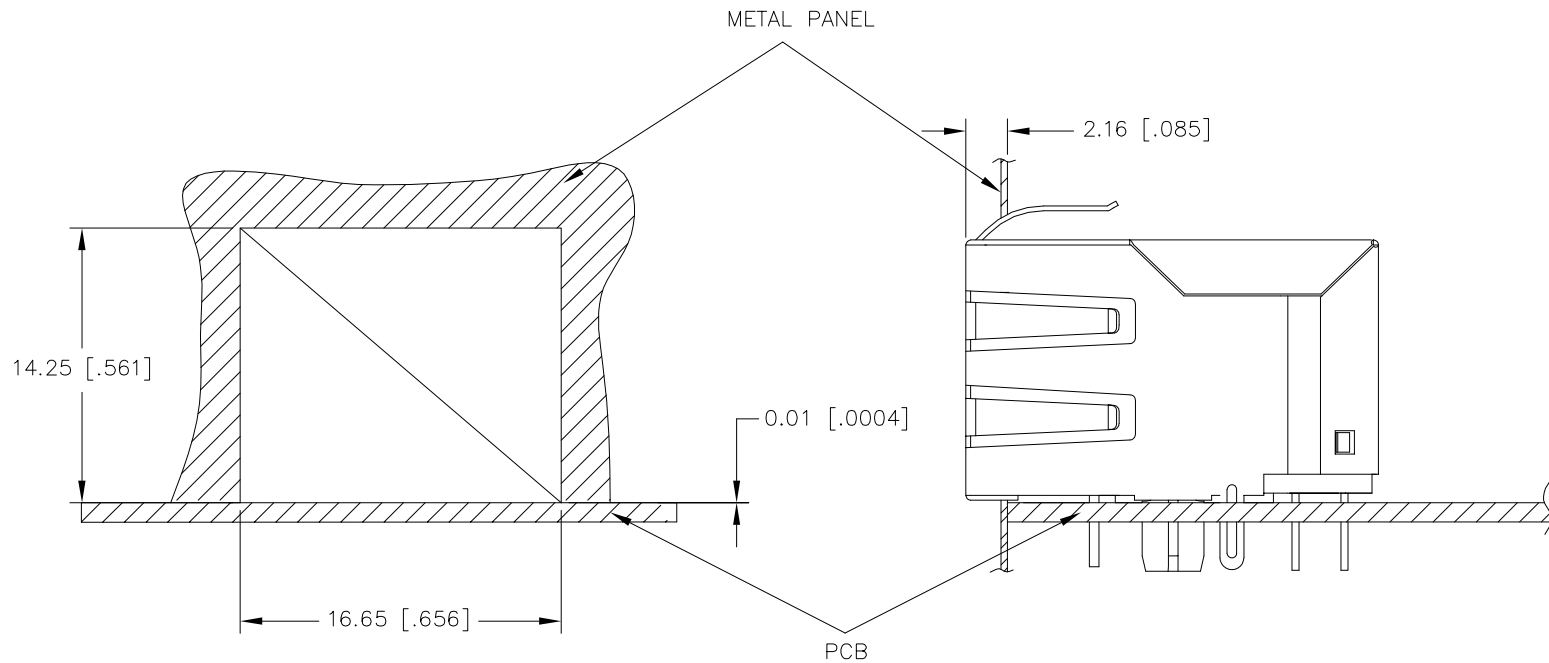
| PRODUCT DESCRIPTION      | TLA DRAWING    | PS DRAWING | SHEET  | PART NO.    | DATASHEET REV. |
|--------------------------|----------------|------------|--------|-------------|----------------|
| CONN,RJ45,1X1,1GD,1:1,TU | JXD0-0025NL-11 | -          | 3 OF 5 | JXD0-0025NL | B              |



DIMENSIONS ARE IN MILLIMETERS [INCHES] WITH THE FOLLOWING TOLERANCES: [INCHES] ARE FOR REFERENCE ONLY.  
X.XX=  $\pm 0.10$  [ $\pm 0.004$ ]

© Copyright, 2017. Pulse Electronics Corp. All rights reserved. Pulse confidential & proprietary. (07/26/17)

| PRODUCT DESCRIPTION      | TLA DRAWING    | PS DRAWING | SHEET  | PART NO.    | DATASHEET REV. |
|--------------------------|----------------|------------|--------|-------------|----------------|
| CONN,RJ45,1X1,1GD,1:1,TU | JXD0-0025NL-11 | -          | 4 OF 5 | JXD0-0025NL | B              |



SUGGESTED PANEL CUTOUT

DIMENSIONS ARE IN MILLIMETERS [INCHES] WITH THE FOLLOWING TOLERANCES: [INCHES] ARE FOR REFERENCE ONLY.  
X.XX=  $\pm 0.10$  [ $\pm .004$ ]

© Copyright, 2017. Pulse Electronics Corp. All rights reserved. Pulse confidential & proprietary. (07/26/17)

| PRODUCT DESCRIPTION      | TLA DRAWING    | PS DRAWING | SHEET  | PART NO.    | DATASHEET REV. |
|--------------------------|----------------|------------|--------|-------------|----------------|
| CONN,RJ45,1X1,1GD,1:1,TU | JXD0-0025NL-11 | -          | 5 OF 5 | JXD0-0025NL | B              |