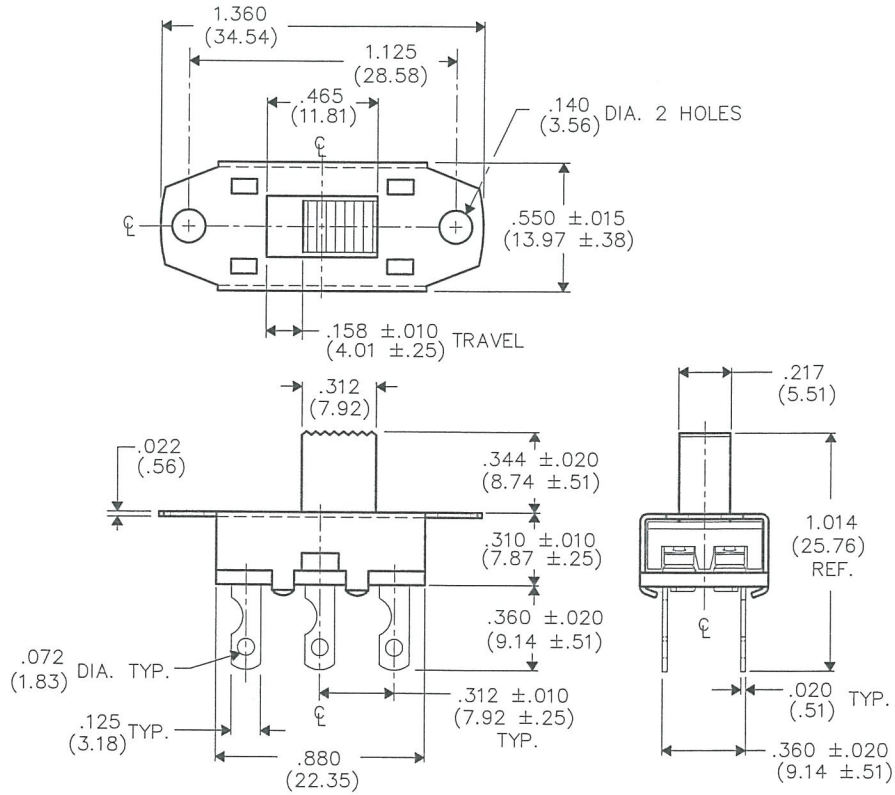


F
 D
 C
 B
 A

THIS INFORMATION IS CONFIDENTIAL AND PROPRIETARY TO CW INDUSTRIES INCORPORATED AND ITS AFFILIATES. IT MAY NOT BE DISCLOSED TO ANYONE OTHER THAN CW INDUSTRIES PERSONNEL, WITHOUT WRITTEN AUTHORIZATION FROM CW INDUSTRIES INCORPORATED, SOUTHAMPTON, PENNSYLVANIA USA.

DIMENSIONS IN INCHES (MILLIMETERS)
 DO NOT SCALE DRAWING

Dwg. No.
G-326-0032



1 2 3 4 5 6 7 8 9 10

B-FORMAT 2002	REVISIONS	0
	RELEASED. DGW 7-08-13	JUL 19 2013

PDF MADE	CW INDUSTRIES Southampton, Pa. 18966	Title: STANDARD SWITCH ASSEMBLY D.P. / D.T.							
	<table border="1"> <tr> <td colspan="2">TOLERANCES UNLESS OTHERWISE SPECIFIED</td> </tr> <tr> <td>2 Place Decimal ±.010</td> <td>METRIC</td> </tr> <tr> <td>3 Place Decimal ±.005</td> <td>1 Place Dec. ±.25mm</td> </tr> <tr> <td>Angles ±1°</td> <td>2 Place Dec. ±.13mm</td> </tr> </table>		TOLERANCES UNLESS OTHERWISE SPECIFIED		2 Place Decimal ±.010	METRIC	3 Place Decimal ±.005	1 Place Dec. ±.25mm	Angles ±1°
	TOLERANCES UNLESS OTHERWISE SPECIFIED								
	2 Place Decimal ±.010	METRIC							
3 Place Decimal ±.005	1 Place Dec. ±.25mm								
Angles ±1°	2 Place Dec. ±.13mm								
Made for: CW IND.	Division: SWITCH								
Drawn by: DGW 7-08-13 Checked by: <i>G. Gold</i> 7-10-13 Approval: <i>G. Gold</i> 7-10-13	Dwg. No. G-326-0032								

MASTER