

PART NAME: KNOB SCALE: 1:1 DATE: 9/11/47 DR. BY JWC

THIS DRAWING IS THE PROPERTY OF DAVIES MOLDING COMPANY, IS SUBMITTED SOLELY AS A DESIGN OR ENGINEERING PROJECT. WE ACCEPT NO RESPONSIBILITY WHATSOEVER FOR THE PRACTICAL APPLICATION OF THE PIECES MADE TO THIS DESIGN.



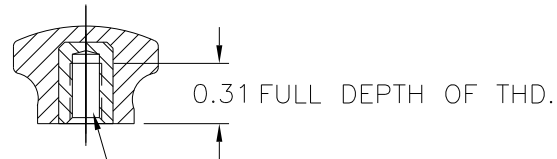
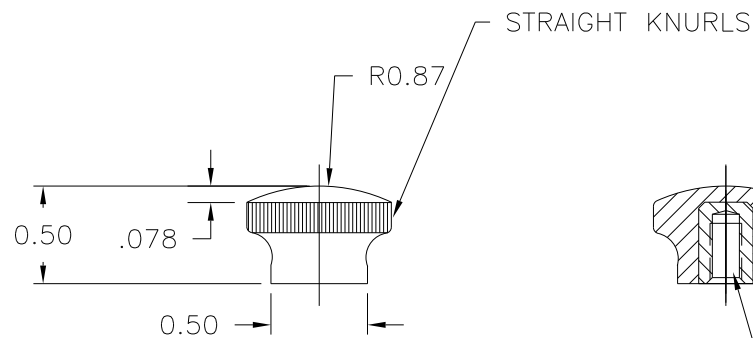
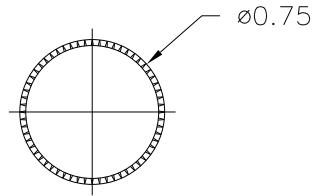
DESIGNERS & MANUFACTURERS OF KNOBS, HANDLES, CASES & CUSTOM PLASTIC COMPONENTS

P/N 2710-B

M NO. 2710

CAD/REDRAWN : 1/15/93 : HD

|         |        |
|---------|--------|
| CAVITY  | 2710   |
| PLUNGER | 2710   |
| PIN     | 2710-B |
| INSERT  | I0192  |



# 8-32 UNC-2B THD'D. FM. I0192, H.H.BRASS

MATERIAL: G.P. PHENOLIC (B11)  
COLOR: BLACK

|                                           |                                  |         |  |  |
|-------------------------------------------|----------------------------------|---------|--|--|
| TOLERANCES:<br>UNLESS OTHERWISE SPECIFIED | DO NOT SCALE<br>DRAWING          |         |  |  |
| DECIMALS: X.XXX ± .005<br>X.XX ± .015     | MM: X.XX ± 0.15MM<br>X.X ± 0.4MM |         |  |  |
| FRACTIONS ± 1/64                          | ANG. ± 1°                        | CHANGES |  |  |