

**Ratings**

Temperature: -40 ~ 70 °C  
Voltage: 150 V

**Conductor**

Gauge: 26 AWG, 0.13 mm<sup>2</sup>  
Material: tinned copper strands  
Stranding:  $\phi 0.08 \times 26$   
Resistance at 20 °C: 150  $\Omega$ /km max

**Insulator**

Material: HDPE  
Color: black, white, yellow, red  
Outer diameter:  $\phi 0.9 \pm 0.10$  mm  
Nominal thickness: 0.20 mm  
Resistance at 20 °C: 1000 M $\Omega$ /km min

**Shield**

Type: spiral  
Material: tinned copper strands  
Strand size:  $\phi 0.08$   
Coverage: 90 % minimum

**Outer jacket**

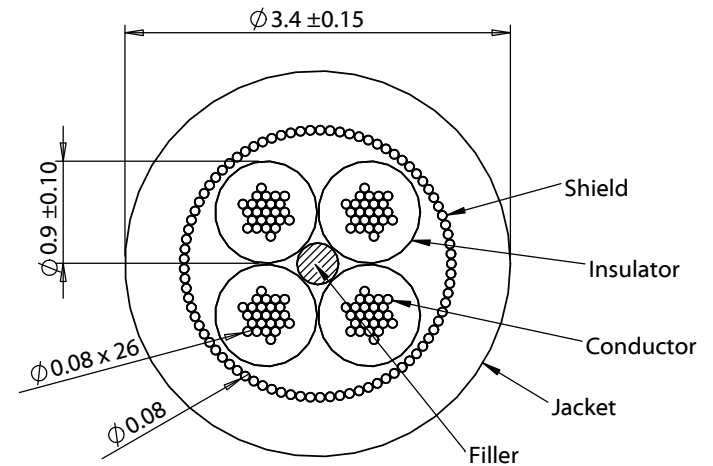
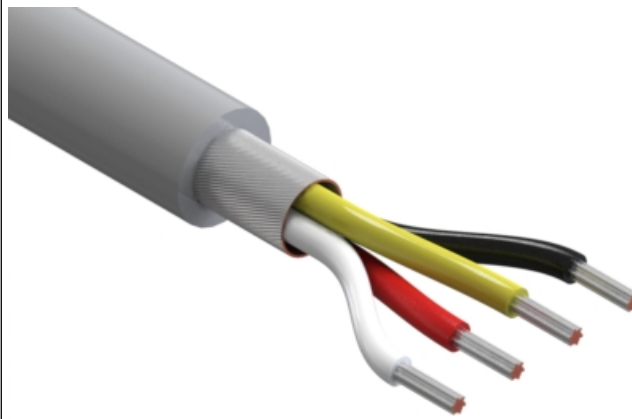
Material: TPU, 70 °C  
Color: cool gray 9C  
Nominal thickness: 0.50 mm  
Diameter:  $\phi 3.4 \pm 0.15$  mm

**Filler**

Material: aramid fiber

**Tests**

Tensile strength: 35.7 kgf  
Dielectric test: 1500 V dc for 1 minute without breakdown  
Bend test at 200 g,  $\pm 90^\circ$ , 30 cycles /min: 15,000 cycle minimum



REVISION	DATE	DESCRIPTION	PREPARED:	NOTES	<b>TENSILITY</b> 20802 Sockeye Place #130 Bend, OR 97701 USA tel 541.323.3228 fax 541.323.4202 800 877.670.7118 www.tensility.com		
A	9/28/2015	Initial release		RoHS and REACH compliant			
A1	1/13/2016	Updated notes, corrected tolerances	VERIFIED:	Jacket meets ISO 10993 for biological compatibility	SIZE	PART NUMBER	
A2	1/17/2019	Changed filler material to generic name		Phthalate and halogen free	A	30-00449	
			DIMENSIONS ARE IN MILLIMETERS	Function test: no open, no short, no intermittent	SCALE: 1:1		
			TOLERANCES: X: $\pm 0.5$ mm X.X: $\pm 0.3$ mm X.XX: $\pm 0.05$ mm	DESCRIPTION: Wire, 4C TS, 26 AWG, 150V, 70C, 3.4 mm, spiral shield, TPU, gray	SHEET 1 OF 1		