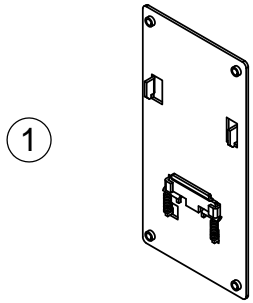
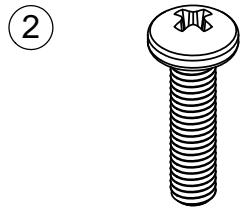


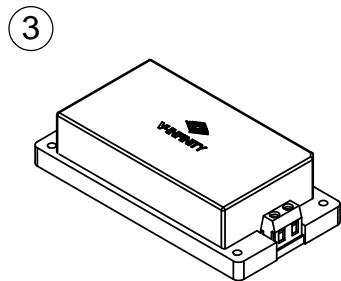
REV.	DESCRIPTION	DATE
A	NEW DRAWING	9/15/2008



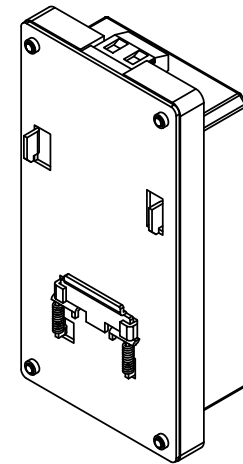
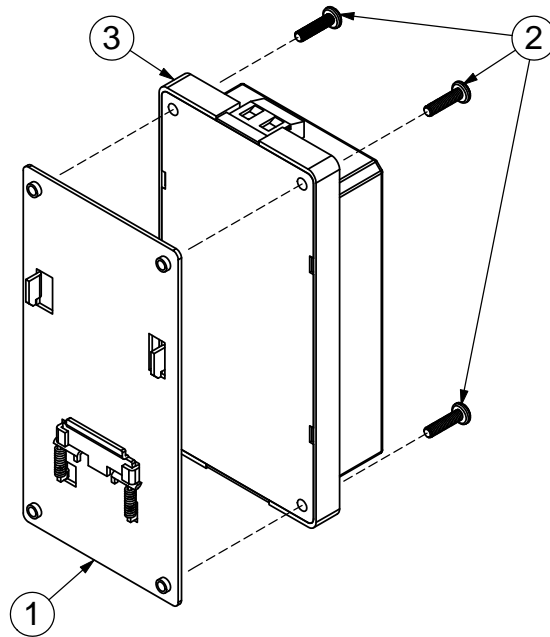
DIN RAIL BRACKET
QTY: 1



M3X0.5
12mm length
QTY: 4

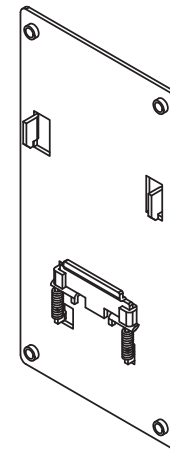
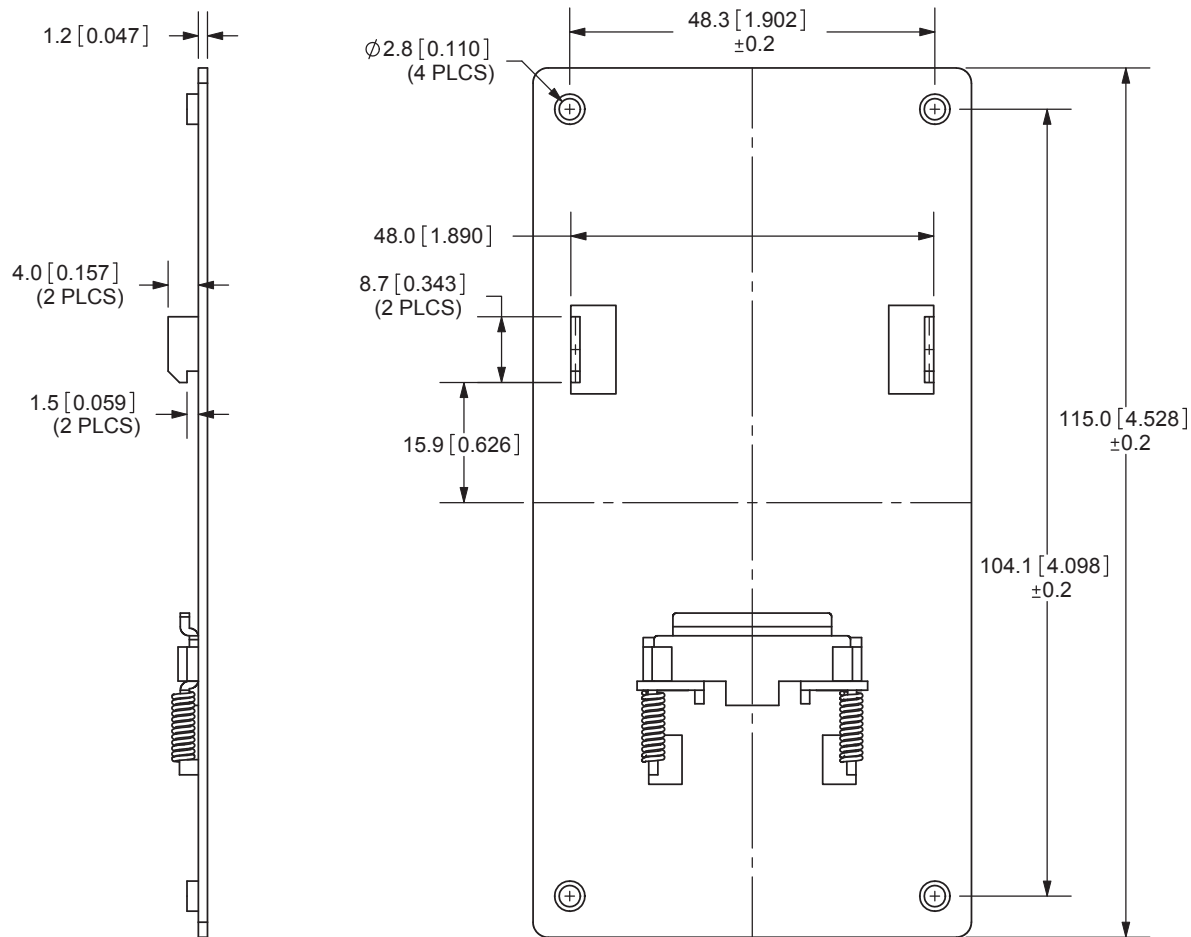


V-INFINITY
AC/DC CONVERTER
QTY: 1
(sold separately)



TITLE: DIN RAIL MOUNTING BRACKET ASSEMBLY INSTRUCTIONS		REV: A
PART NO. FSC-S30-DIN	UNITS: MM [INCHES]	
DRAWN BY: ZRJ	APPROVED BY:	SCALE: 1:2

REV.	DESCRIPTION	DATE
A	NEW DRAWING	9/15/2008



SCALE: 1:2

TOLERANCE:
 ± 0.3 mm UNLESS OTHERWISE
 SPECIFIED



20050 SW 112th Ave.
 Tualatin, OR 97062
 Phone: 503-612-2300
 800-275-4899
 Fax: 503-612-2383
 Website: www.cui.com

TITLE: DIN RAIL MOUNTING BRACKET ASSEMBLY INSTRUCTIONS		REV: A
PART NO: DIN RAIL BRACKET	UNITS: MM [INCHES]	
DRAWN BY: ZRJ	APPROVED BY:	SCALE: 1:1

PC FILE NAME:

COPYRIGHT 2008 BY CUI INC.