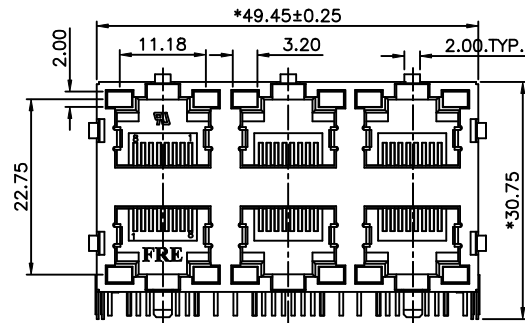
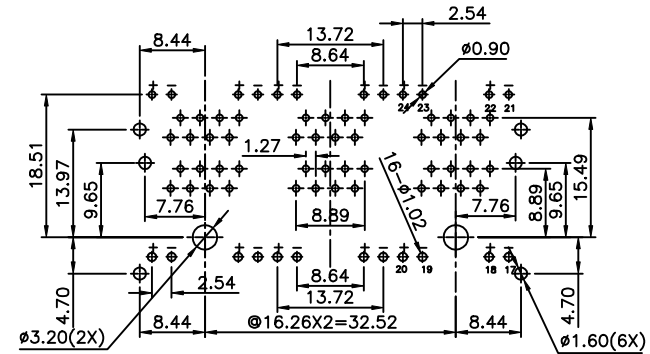
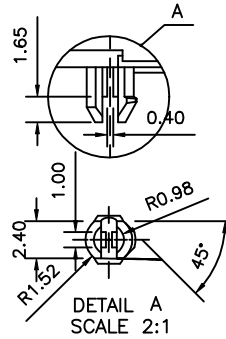
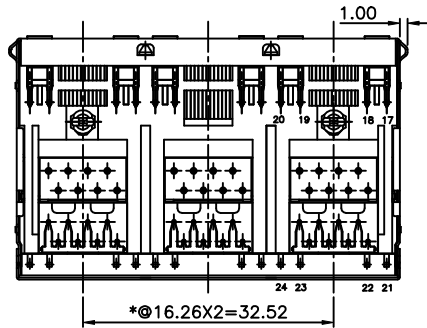
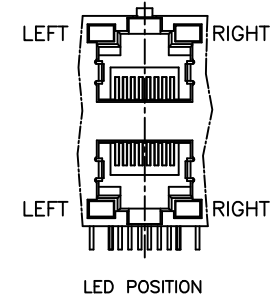
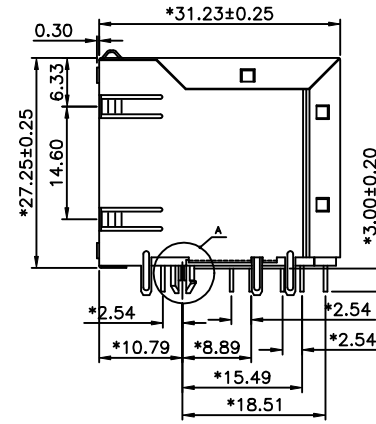


REVISION RECORD				
REV	ECO	DESCRIPTION	DRFT	CHKD



GREEN GREEN  
 12 10 10 10  
 RED RED  
 GREEN GREEN  
 12 10 10 10  
 RED RED  
 FOR P/N: E5J88-D4BHF-X-L



PC Board Layout  
 Component Side Shown

**NOTES:**

**ELECTRICAL:**

- VOLTAGE RATING : 125 VAC RMS.
- CURRENT RATING : 1.5 AMP.
- CONTACT RESISTANCE : 35 MILLIOHMS MAX.
- INSULATION RESISTANCE: 1000 MEGOHMS MIN @ 500 VDC.
- DIELECTRIC STRENGTH : 1000 VAC RMS 60HZ, 1MIN.

**MECHANICAL:**

- HOUSING MATERIAL : PBT+30%G.F UL94V-0.
- CONTACT MATERIAL : PHOSPHOR BRONZE Ø0.46mm
- CONTACT PLATING : GOLD PLATING OVER NICKLE
- SHIELD PLATING : NICKEL PLATING OVER BRASS
- OPERATING LIFE : 750 CYCLES MIN.
- PCB RETENTION PRE-SOLDER : 1 LB MIN.
- PCB RETENTION POST-SOLDER: 10 LBS MIN.
- LED COLOR : GREEN

**ENVIRONMENTAL:**

- STORAGE : -40°C TO +85°C.
- OPERATION: -40°C TO +85°C.
- WAVE SOLDERING TEMPERATURE: 230~250°(3~5 SECONDS)

MATES WITH MODULAR PLUG CONFORMING TO  
 FCC PART 68, SUBPART F.

RoHS PART NUMBER: E5J88-X4B2FX-L

- A-LEFT LED:G RIGHT LED:G Gold Thickness:  
 B-LEFT LED:G RIGHT LED:O 1- 3u" 2- 6u" 3-15u"  
 C-LEFT LED:G RIGHT LED:Y 4-30u" 5-50u"  
 D-LEFT LED:G+R RIGHT LED:G+R

DETACHED LISTS	MM (INCH)	DFTO Jake	DATE 10/19/05'
	TOLERANCES EXCEPT AS NOTED	CHKD ANNE	DATE 2005/10/20
	MM	MFO	DATE
	.0 ±0.20 .00 ±0.15 .00 ±0.075	APPVL LUBENGO	DATE 2005/10/20
ANGLES ±	QT'Y :	MATERIAL :	
THIRD ANGLE PROJECTION	FINISH :	SCALE : 5:3	

FULL RISE ELECTRONIC CO., LTD			
TITLE RJ45(LED) STACKED GANGED JACK, 2X3			
DRAWING NO. GE5J3035-LC		SIZE A3	REV 0
/PART NO. SEE NOTE		10/19/05'	
DO NOT SCALE DRAWING		SHEET 1	OF 1