

### FD5-16

#### Description:

The FD5-16 Quick Pack small power transformer offers a significant reduction in size and weight over a standard transformer. This transformer can be used for a wide variety of applications. It is bobbin wound for reduced size and small operating space.

#### Electrical Specifications (@25C);

**Maximum Power:** 12.0VA

#### Input Voltage:

**Series:** 230VAC@50/60Hz

**Parallel:** 115VAC@50/60Hz

**Output Voltage:** 16VCT@.8A<sup>1</sup>

**Recommended Fuse:** UL listed 250VAC, 1.0A, Slo-Blo

**Hipot:** 2500VAC primary to secondary; 1500VAC windings to core.

#### Construction:

Split bobbin non concentric winding eliminates costly electrostatic shielding. Termination is suitable for quick connects or soldering. Built with UL Class B Insulation System.

#### Safety:

UL: File E53148, UL 5085-1 and 2 (formerly UL 506), General Purpose.

UL: File E65390, UL5085-1 and 3, Class 2 not wet, Class 3 wet



#### Dimensions:

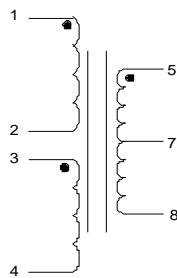
| A     | B     | C     | D     | E     | F        | G    |
|-------|-------|-------|-------|-------|----------|------|
| 1.625 | 2.375 | 2.812 | 1.375 | 1.937 | .187 Dia | .812 |

**Notes:** 1. Units: inches.

2. Terminal size: .187" X 0.021".

3. Weight: .70 lbs

#### Schematic:



**Input (115V):** Input 1 & 2

Connect 1&3, 2&4

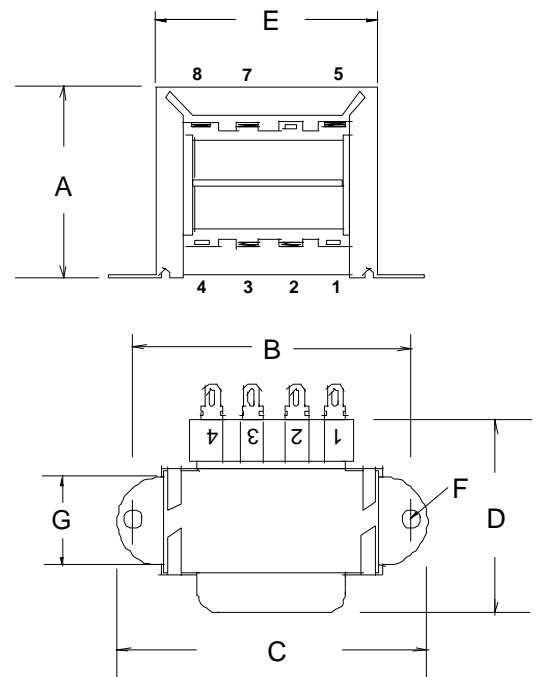
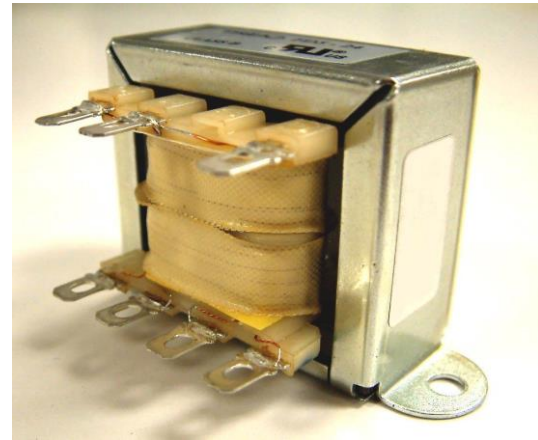
**Input (230V):** Input 1 & 4

Connect 2&3

**Output: 5 & 8**

**RoHS Compliance:** As of manufacturing date February 2016, all standard products meet the requirements of 2015/863/EU, known as the RoHS 3 initiative.

\* Upon printing, this document is considered "uncontrolled". Please contact Triad Magnetix' website for the most current version.



<sup>1</sup> Fuse must be used on **secondary** as conditions of acceptability for UL Class 2/3 operation