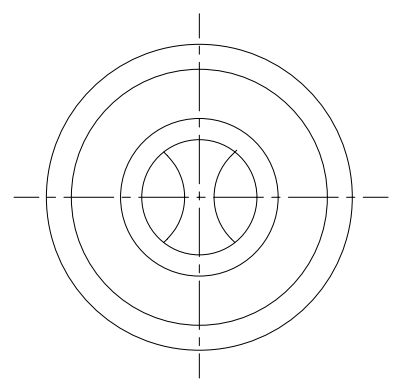
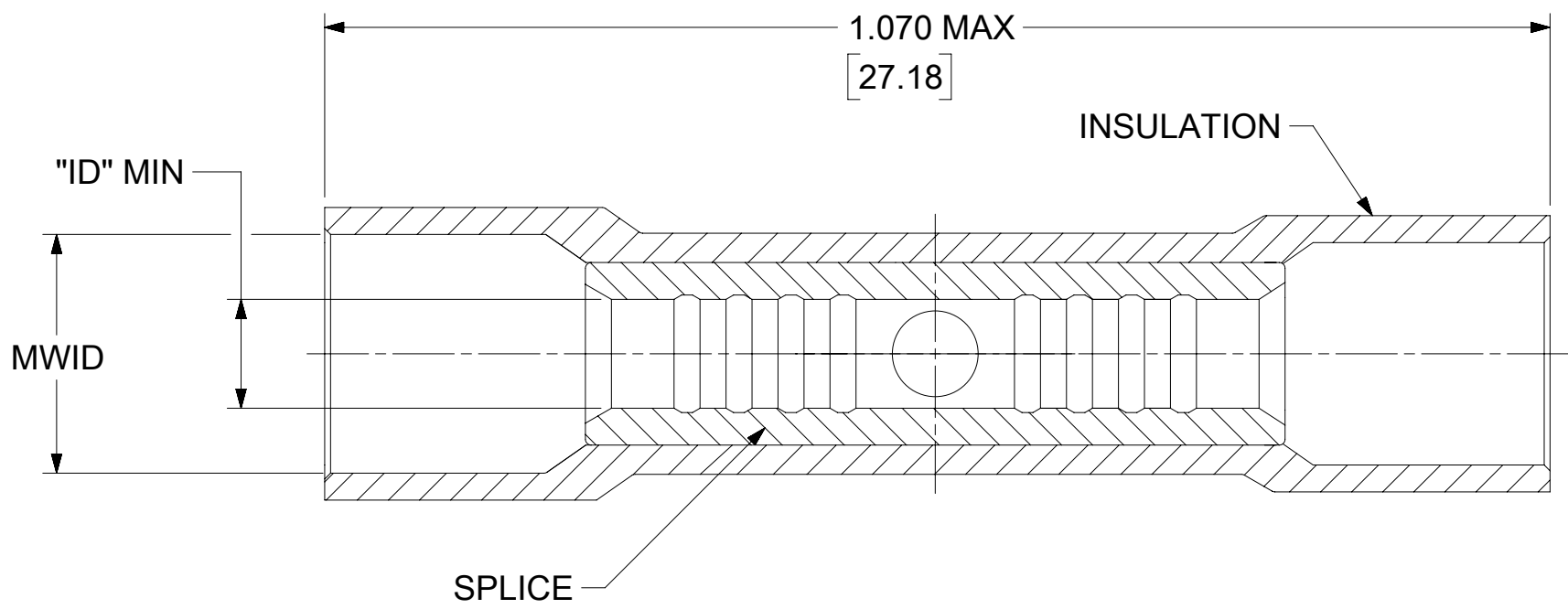


MATERIAL NO.	ENG NO.	WIRE SIZE AWG	INSUL. COLOR	TERM ID MIN REF	MWID
192020271	A-945X	22-18	LT. RED	.069 (1.75)	.147 (3.74)



- NOTE(S):
1. TERMINAL MATERIAL: COPPER
 2. TERMINAL FINISH: TIN
 3. MWID = MAXIMUM WIRE INSULATION DIAMETER.
 4. ASSEMBLY IS RoHS COMPLIANT.

THIS DRAWING CONTAINS INFORMATION THAT IS PROPRIETARY TO MOLEX ELECTRONIC TECHNOLOGIES, LLC AND SHOULD NOT BE USED WITHOUT WRITTEN PERMISSION										
FUNCTIONAL SYMBOLS	DIMENSION UNITS	SCALE	CURRENT REV DESC: RELEASE TO PROD							
	INCH/MM	4:1	molex MOLDED HOUSING ASSY NYLAKRIMP BUTT CONNECTOR							
GENERAL TOLERANCES (UNLESS SPECIFIED)		MM								INCH
DIVISIONAL SYMBOLS	4 PLACES	±	±	PRODUCT CUSTOMER DRAWING						
	3 PLACES	±	±	INITIAL REVISION:		DOCUMENT NUMBER		DOC TYPE	DOC PART	REVISION
	2 PLACES	±	±	DRWN: DMYRICK 2021/08/24		192020003		PSD	000	A
	1 PLACE	±	±	APPR: JMACNEIL 2021/08/24		MATERIAL NUMBER		CUSTOMER		SHEET NUMBER
ANGULAR TOL		±	°	THIRD ANGLE PROJECTION		DRAWING	SERIES	GENERAL MARKET		1 OF 1
DRAFT WHERE APPLICABLE MUST REMAIN WITHIN DIMENSIONS				THIRD ANGLE PROJECTION		B-SIZE	19202			