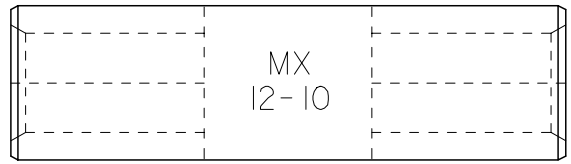
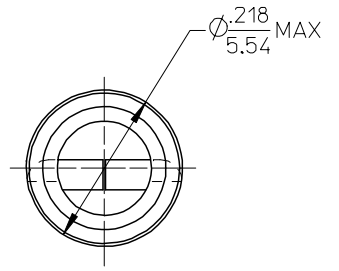
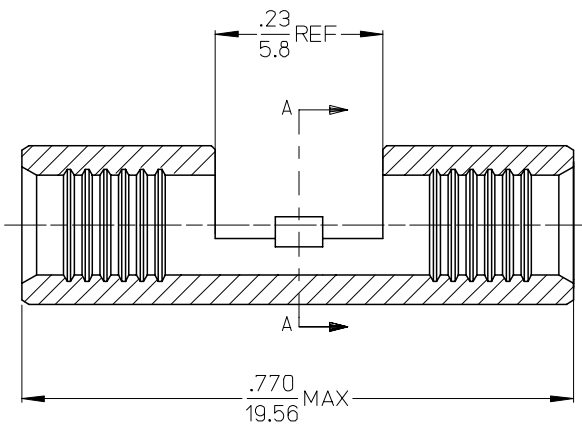
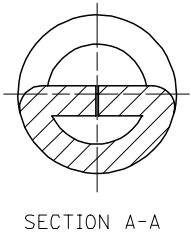


10 9 8 7 6 5 4 3 2 1

|                 |                    |
|-----------------|--------------------|
| MATERIAL NUMBER | ENGINEERING NUMBER |
| 191890014       | C-142              |



- NOTES:
1. MATERIAL: COPPER (.038/9.65 THICK).
  2. PLATING: ELECTRO-TIN PLATING
  3. ALL DIMENSIONS IN INCHES/MM  
WIRE SIZE 12-10AWG  
4.0-6.0MM<sup>2</sup>

|   |                  |                 |   |                 |                    |                              |   |                  |
|---|------------------|-----------------|---|-----------------|--------------------|------------------------------|---|------------------|
| RELEASED<br>EC NO: ETC2006-0214<br>DRWN:ASAYDEH 2006/01/31<br>CHKD: JLOMASTRO 2006/01/31<br>APPR:RDEROSS 2006/02/02 | DESCRIPTION<br>A | QUALITY SYMBOLS | GENERAL TOLERANCES (UNLESS SPECIFIED)   | DIMENSION STYLE | SCALE              | DESIGN UNITS                 | THIRD ANGLE PROJECTION  |                  |
|   |                  | ▽=0<br>▽=0      | mm INCH<br>4 PLACES ± --- ± ---<br>3 PLACES ± --- ± ---<br>2 PLACES ± --- ± ---<br>1 PLACE ± --- ± ---<br>ANGULAR ± --- ° | IN/MM           | ---                | INCH                         | DRAWN BY ASAYDEH DATE 06/01/27<br>CHECKED BY JLOMASTRO DATE 06/01/27<br>APPROVED BY RDEROSS DATE 06/01/27 | TITLE            |
|   |                  |                 | DRAFT WHERE APPLICABLE MUST REMAIN WITHIN DIMENSIONS  | SEE CHART       | MOLEX INCORPORATED | WINDOW BUTT SPLICE 12-10 AWG |   |                  |
|   |                  |                 |   |                 |                    |                              | MATERIAL NO. SD-19189-002   | SHEET NO. 1 OF 1 |

1b\_frame\_B\_P\_ME\_T Rev. D 2004/04/02 9 8 7 6 5 4 3 2 1