

Viking eUSB

Embedded USB Manual

~

Industrial Products

Manual	10/27/2017
PSFDUC3XXXXYXX	Viking Technology
Revision H	Page 1 of 20

Revision History

Date	Revision	Description
A	9/12/14	Initial release VRFDUC3(L)032GYCNxx PN for SM3252 VRFDUC3032GYCNE1 (12/13/2013) Update PN table for new PN's and 16GB (A1, 6/2/2014) Revised Standby Current and Operating Current based on 3.3V NAND devices (A2, 7/8/14) Removed firmware upgrade capability (A3, 8/8/14) Add VRFDUC31024YCG PN (9/12/14). Update PN table description
B	11/4/14	Add tolerance info to Mechanical Dimensions
C	3/27/15	Revise PN table to match PSG
D	6/16/15	Revise PN table 4GB P/N at 5.0V 2-CH: VRFDUC3(L)4096YxHyy 4GB P/N at 3.3V 2-CH: VRFDUC3(L)4096YxH3yy
E	9/1/2015	Add VRFDUC3(L)2048YxE3yy and VRFDUC3(L)2048YxEyy per PSG update
F	11/9/2015	update with performance based on IOmeter06 for SMI 3252 controller
G	6/12/16	Added Part Number VRFDUC3(L)2048YxGyy. Added Note 6 on Figure 3-4 Dimensions (Version 2, standard profile) to show maximum component height on secondary side (Bottom) is 3.7 ± 0.06 mm [0.145 ± 0.003 inches]
H	10/27/2017	specify the SCSI commands supported by the SMI 325/3252 controller. Change logo and color scheme . Add VRFDUC3(L)2048YxG3yy and PN decoder

Manual	10/27/2017
PSFDUC3XXXXYXX	Viking Technology
Revision H	Page 2 of 20

Legal Information

Legal Information

Copyright© 2017 Sanmina Corporation. All rights reserved. The information in this document is proprietary and confidential to Sanmina Corporation. No part of this document may be reproduced in any form or by any means or used to make any derivative work (such as translation, transformation, or adaptation) without written permission from Sanmina. Sanmina reserves the right to revise this documentation and to make changes in content from time to time without obligation on the part of Sanmina to provide notification of such revision or change.

Sanmina provides this documentation without warranty, term or condition of any kind, either expressed or implied, including, but not limited to, expressed and implied warranties of merchantability, fitness for a particular purpose, and non-infringement. While the information contained herein is believed to be accurate, such information is preliminary, and should not be relied upon for accuracy or completeness, and no representations or warranties of accuracy or completeness are made. In no event will Sanmina be liable for damages arising directly or indirectly from any use of or reliance upon the information contained in this document. Sanmina may make improvements or changes in the product(s) and/or the program(s) described in this documentation at any time.

Sanmina, Viking Technology, Viking Modular Solutions, and the Viking logo are trademarks of Sanmina Corporation. Other company, product or service names mentioned herein may be trademarks or service marks of their respective owners.

Manual	10/27/2017
PSFDUC3XXXXYXX	Viking Technology
Revision H	Page 3 of 20

Ordering Information: eUSB Family

Viking High Performance USB embedded Drive Ordering Information

Part Number	Capacity	Device Density	Voltage	# Devices	Channels	LBA
VRFDUC3(L)2048YxE3yy	2GB	8Gb	3.3	2	2	3,928,176
VRFDUC3(L)2048YxG3yy	2GB	8Gb	3.3	2	2	3,928,176
VRFDUC3(L)4096YxH3yy	4GB	16Gb	3.3	2	2	7,835,184
VRFDUC3(L)8192YxK3yy	8GB	32Gb	3.3	2	2	15,649,200
VRFDUC3(L)016GYxK3yy	16GB	32Gb	3.3	4	2	31,277,232
VRFDUC3(L)030GYxN3yy	30GB	64Gb	3.3	4	2	62,533,296
VRFDUC3(L)2048YxEyy	2GB	8Gb	5	2	2	3,928,176
VRFDUC3(L)2048YxGyy	2GB	8Gb	5	2	2	3,928,176
VRFDUC3(L)4096YxHyy	4GB	16Gb	5	2	2	7,835,184
VRFDUC3(L)8192YxKyy	8GB	32Gb	5	2	2	15,649,200
VRFDUC3(L)016GYxKyy	16GB	32Gb	5	4	2	31,277,232
VRFDUC3(L)030GYxNyy	30G	64Gb	5	4	2	62,533,296

Notes:

1. DUC3xxxx signifies standard profile, DUC3Lxxxx signifies low profile.
2. x = C for Commercial temperature range: 0 to 70°C (32 to 158° F)
or I for Industrial temperature range: -40 to 85°C (-40 to 185° F)
3. Storage capacity listed will vary due to formatting and additional functions, and therefore is not available for storage.
4. USB's ship formatted from the factory unless otherwise requested.
5. All eUSBs are based on SLC flash unless otherwise requested.
6. All capacities are available in 3.3V versions.
7. yy indicates BOM specific information
8. "L" indicate low profile
9. Maximum of 4KB per page

Part Number Decoder	Form Factor	xxxx =Capacity (GB)	Controller	Temp	y= Device code	Voltage	NAND	Customer unique Alpha Numeric
VRFDUC3(L)xxxxYCy(3)(M)zz	Blank=eUSB Std Profile L=eUSB Low Profile	4G=4096 8G=8192 16G=016G 32G=032G	Y= SMI3252 (USB)	I=(-40 to +85 °C) C=(0 to +70°c)		3 = 3.3V Blank=5V	M=MLC Blank= SLC	zz=wildcard characters Blank= Generic

Manual	10/27/2017
PSFDUC3XXXXYXX	Viking Technology
Revision H	Page 4 of 20

Table of Contents

1	INTRODUCTION	7
1.1	Product Overview	7
1.2	Features	7
1.3	Block Diagram	8
1.4	USB Interface	9
2	PRODUCT SPECIFICATIONS	9
2.1	Performance	9
2.2	Timing	9
2.3	Power-up AC timing Requirements	9
2.4	Electrical Characteristics	10
2.4.1	Absolute Maximum Ratings	10
2.4.2	DC Operating Conditions and Characteristics	10
2.4.3	Power Consumption	10
2.4.4	Capacitance	11
2.5	Environmental Conditions	11
2.5.1	Temperature and Altitude	11
2.6	Reliability	11
3	MECHANICAL INFORMATION	13
4	PIN AND SIGNAL DESCRIPTIONS	17
4.1	Signal and Power Description Tables	17
5	COMMAND SETS	18
6	CERTIFICATIONS AND COMPLIANCE	19

Manual	10/27/2017
PSFDUC3XXXXYXX	Viking Technology
Revision H	Page 5 of 20

Table of Tables

<i>Table 2-1: Sustained Read and Write Bandwidth¹</i>	9
<i>Table 2-2: Maximum Sustained Read and Write Bandwidth</i>	9
<i>Table 2-3: Timing Specifications</i>	9
<i>Table 2-4: Absolute Maximum Ratings</i>	10
<i>Table 2-5: Voltage and Current Ratings</i>	10
<i>Table 2-6: Power Consumption</i>	11
<i>Table 2-7: Bus Line Capacitance</i>	11
<i>Table 2-8: Temperature and Altitude Related Specifications</i>	11
<i>Table 2-9: Reliability Specifications</i>	11
<i>Table 4-1: eUSB Connector Pin Signal Definitions</i>	17
<i>Table 5-1: SCSI Feature Set</i>	18
<i>Table 5-2: SCSI Error Codes List</i>	19
<i>Table 6-1: Device Certifications</i>	19

Table of Figures

<i>Figure 1-1: High-Level Block Diagram</i>	8
<i>Figure 3-1: Location of PCB # marking</i>	13
<i>Figure 3-2: Dimensions (Version-1)</i>	14
<i>Figure 3-3: Dimensions (Version-2, low profile)</i>	15
<i>Figure 3-4: Dimensions (Version 2, standard profile)</i>	16
<i>Figure 4-1: Connector Pin Assignments</i>	17

Manual	10/27/2017
PSFDUC3XXXXYXX	Viking Technology
Revision H	Page 6 of 20

1 Introduction

1.1 Product Overview

Viking Technology's Embedded USB (eUSB) module provides a rugged, reliable and cost effective non-volatile memory, solutions to OEM customers in the Communication, Networking, Embedded and Industrial markets. The eUSB module is a secure pluggable device and a drop-in replacement for Intel® Z-U130 Value Solid State Drive with a USB 2.0 interface, ECC and global wear-leveling. Additional options such as MLC (Multi Level Cell) technology and ESD protection are also available.

Viking's rugged industrial designed USB's offer the highest flash storage reliability and performance in harsh environments such as shock, vibration, humidity, altitude, ESD, and extreme temperatures. Viking USB's meet JEDEC JESD22 standards and pass numerous qualifications including MIL-STDs and NEBS.

Viking can also provide specialized services to OEMs designing customized hardware and systems by offering:

- Locked BOM control with customer product change notification (PCN)
- Pre-installed software, custom software imaging and ID strings
- Custom packaging and labeling
- Comprehensive supply-chain management
- Customer specified testing
- 30k volt ESD protection
- Conformal coating
- Localized Field Application Engineering for complete pre and post sale technical support

1.2 Features

The embedded USB drive delivers the following features:

- USB 2.0 high speed compatible (supports Bulk-Only transport protocol)*
- Up to 35 MB/s Read Speed and 23 MB/s Write Speed (Dual Channel)
- Up to 23 MB/s Read Speed and 12 MB/s Write Speed (Single Channel)
- Host Interface Speed 60MB/s
- Drive Activity indicator signal
- Low power Dissipation- less than 0.45W active; less than 1mW standby

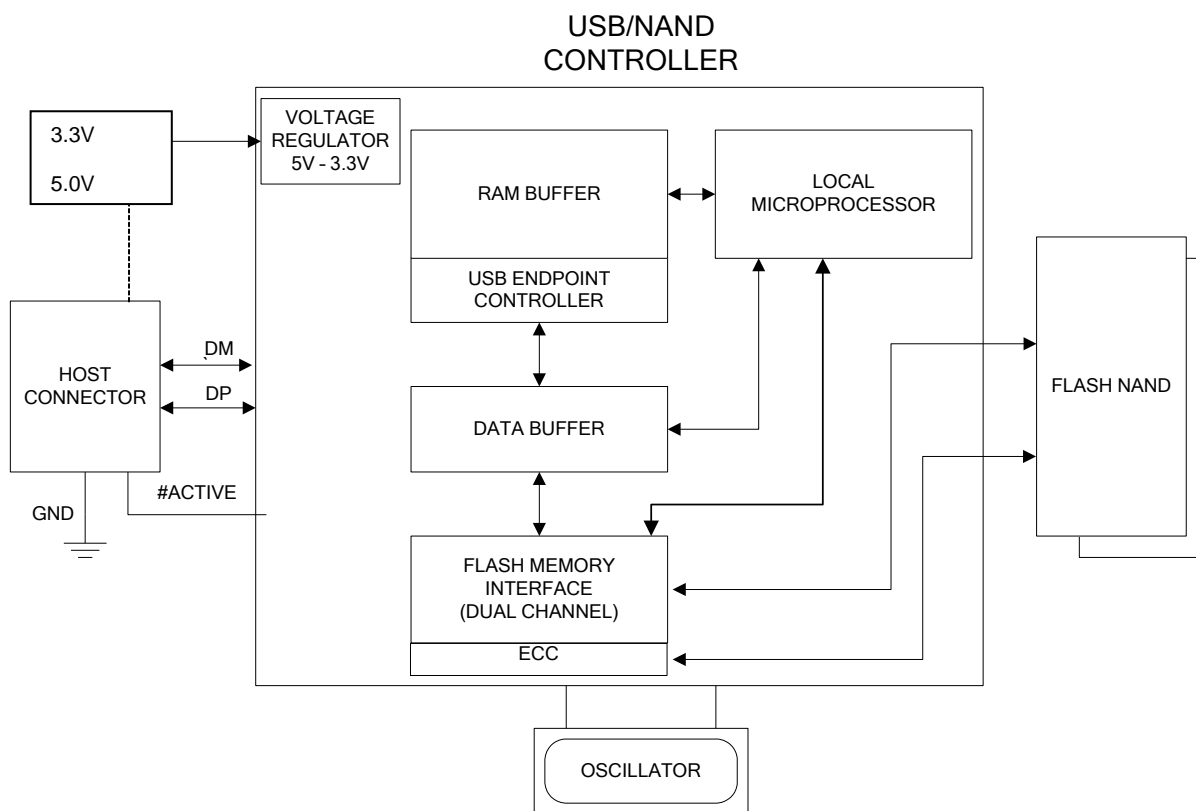
Manual	10/27/2017
PSFDUC3XXXXYXX	Viking Technology
Revision H	Page 7 of 20

- Solid state, Non-volatile NAND Memory
- RoHS Compliant
- Static Wear Leveling

* With exception of 3.3V only operation, USB specification is 5V.

1.3 Block Diagram

Figure 1-1: High-Level Block Diagram



Manual	10/27/2017
PSFDUC3XXXXYXX	Viking Technology
Revision H	Page 8 of 20

1.4 USB Interface

- The USB interface is compliant with the USB 2.0 specification.
- The USB interface connects the host computer to the embedded USB.
- The USB interface runs at a maximum speed of 2.0 Gbps (gigabits per second). If the host computer is unable to negotiate a speed of 2.0 Gbps, the USB interface automatically renegotiates to lower speeds.

2 Product Specifications

2.1 Performance

The host interface speed is 60MB/s with a read/write bandwidth shown in the following tables.

Table 2-1: Sustained Read and Write Bandwidth¹

Access Type	MB/s
Read, Dual Channel	Up to 31.2
Write, Dual Channel	Up to 17.4

Notes:

1. Based on VRFDUC3L032GYCNE1 MicSLC SM3252 using IOMETER06
2. Based on VRFDUC3L016GYIKK1 TosSLC SM3252 using IOMETER06

Table 2-2: Maximum Sustained Read and Write Bandwidth

Access Type	MB/s
Read, Dual Channel	Max up to 35
Write, Dual Channel	Max up to 23

2.2 Timing

Table 2-3: Timing Specifications

2.3 Power-up AC timing Requirements

Parameter	Symbol	Min.	Typical	Max.	Unit
Powerup to Ready (from 2.7V VBUS)	tRESET	100	150	250	ms

Notes:

1. This power-up timing can be changed to 10ms upon request. The long power-up delay is designed to accommodate slow power-up times of rack systems.

Manual	10/27/2017
PSFDUC3XXXXYXX	Viking Technology
Revision H	Page 9 of 20

2.4 Electrical Characteristics

2.4.1 Absolute Maximum Ratings

Table 2-4: Absolute Maximum Ratings

Parameter	Symbol	Value	Unit
5.0 Supply Voltage	VBUS	-0.3 ~ 5.5	V
3.3 Supply Voltage	VBUS	-0.3 ~ 4.0	V
Input Voltage	VIN	GND - 0.5 ~ VCC + 0.5	V
Storage Temperature	TST	-55 ~ 150	°C

Notes:

1. Permanent device damage may occur if 'ABSOLUTE MAXIMUM RATINGS' are exceeded. Functional operation should be restricted to recommended operating condition. Exposure to higher than recommended voltage for extended periods of time could affect device reliability.

2.4.2 DC Operating Conditions and Characteristics

Table 2-5: Voltage and Current Ratings

Parameter	Symbol	Min.	Typical	Max.	Unit	
5.0 Supply voltage ($\pm 5\%$)	VBUS	4.75	5.0	5.25	V	
3.3 Supply voltage ($\pm 5\%$)	VBUS	3.14	3.3	3.465	V	
Regulated Output Voltage (internal eUSB voltage)	VDD33O	2.9	3.3	3.6	V	
Input high voltage	VIH	2.0	-	-	V	
Input low voltage	VIL	-	-	0.8	V	
Output high voltage	VOH	2.4	-	-	V	
Output low voltage	VOL	-	-	0.4	V	
Standby Current ²	1 Flash Device	I _{STB}	-	16.5 + 6.6	23.1 + 33	μ A
	2 Flash Devices		-	16.5 + 13.2	23.1 + 66	μ A
	4 Flash Devices		-	16.5 + 19.8	23.1 + 132	μ A
Operating Current ²	1 Flash Device	I _{OP}	-	132 + 9.9	165 + 19.8	mA
	2 Flash Devices		-	132 + 19.8	165 + 39.6	mA
	4 Flash Devices		-	132 + 39.6	165 + 79.2	mA

Notes:

1. Recommended operating conditions (Voltages referenced to GND, TA = 0 to 70C)
2. Based on 3.3V NAND

2.4.3 Power Consumption

All onboard power requirements of the eUSB are derived from the 5V or 3.3V input rail.

Manual	10/27/2017
PSFDUC3XXXXYXX	Viking Technology
Revision H	Page 10 of 20

Table 2-6: Power Consumption

Power	Typical	units
Standby	1	mW
Operating	450	mW

2.4.4 Capacitance

Table 2-7: Bus Line Capacitance

Parameter	Symbol	Min	Max	Unit
Bus line capacitance	C _L	-	20	pF

2.5 Environmental Conditions

2.5.1 Temperature and Altitude

Table 2-8: Temperature and Altitude Related Specifications

Conditions	Operating	Shipping	Storage
Commercial Temperature	0 to 70°C (32 to 158° F)	-40 to 85°C (-40 to 185° F)	-40 to 85°C (-40 to 185° F)
Industrial Temperature¹	-40 to 85°C (-40 to 185° F)	-40 to 85°C (-40 to 185° F)	-40 to 85°C (-40 to 185° F)
Humidity (non-condensing)	5% to 95%	5% to 95%	5% to 95%
Max Temperature Gradient	20°C/Hour (36°F/Hour)	n/a	n/a
Altitude	-304.8 to 24,384 m (-1,000 to 80,000 ft)	-304.8 to 24,384 m (-1,000 to 80,000 ft)	-304.8 to 24,384 m (-1,000 to 80,000 ft)
Storage Time Duration	n/a	n/a	1 year

Notes:

1. SLC flash based products are available in the following temperature ranges:
 - a) Commercial temperature range of 0 to 70°C (32 to 158° F)
 - b) Industrial temperature range -40 to 85°C (-40 to 185° F)

2.6 Reliability

Table 2-9: Reliability Specifications

Parameter	Value
Mean Time Between Failures (MTBF) ¹	2,500,000 hours
Power On/Off Cycles ²	50,000 cycles

Manual	10/27/2017
PSFDUC3XXXXYXX	Viking Technology
Revision H	Page 11 of 20

Parameter	Value
Read Endurance	Unlimited
Write or Erase Endurance ³	(specified by the flash component)
Wear-leveling	Global
Data retention	>10 years

Notes:

1. MTBF is calculated based on a Part Stress Analysis. It assumes nominal voltage, with all other parameters within specified range. Telcordia method SR-332 component FIT rate at 55°C.
2. Power On/Off Cycles defined as power being removed from the drive, and then restored. Note that host systems and drive enclosures may remove power from the drive for reasons other than a system shutdown.
3. SLC NAND has a higher endurance than MLC NAND

Manual	10/27/2017
PSFDUC3XXXXYXX	Viking Technology
Revision H	Page 12 of 20

3 Mechanical Information

The dimensions of the eUSB (version-1) are based on the following PCB #s: 1208, 1209

As an example, the 1208 PCB would have a 0001208A marking that is silkscreened at the bottom edge of the PCB near the mounting hole on the same side as the connector (at bottom side of the eUSB) as shown in the following figure.

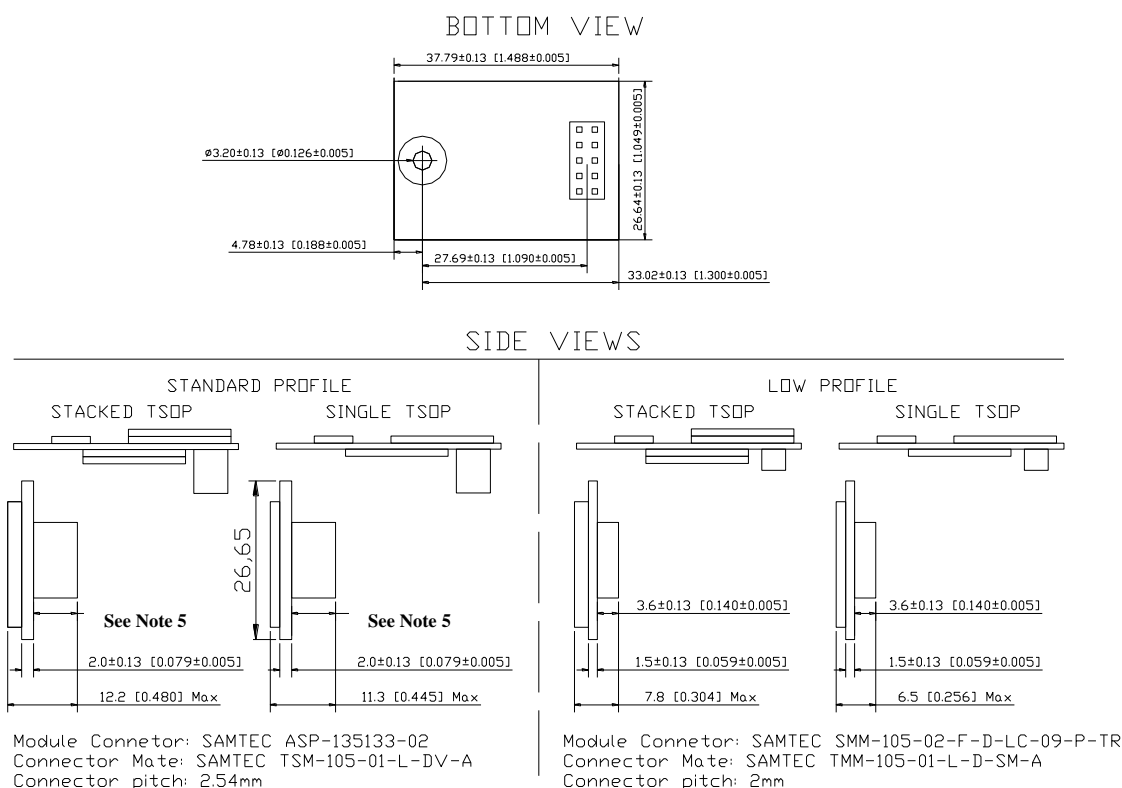
Figure 3-1: Location of PCB # marking



PCB #

Manual	10/27/2017
PSFDUC3XXXXYXX	Viking Technology
Revision H	Page 13 of 20

Figure 3-2: Dimensions (Version-1)



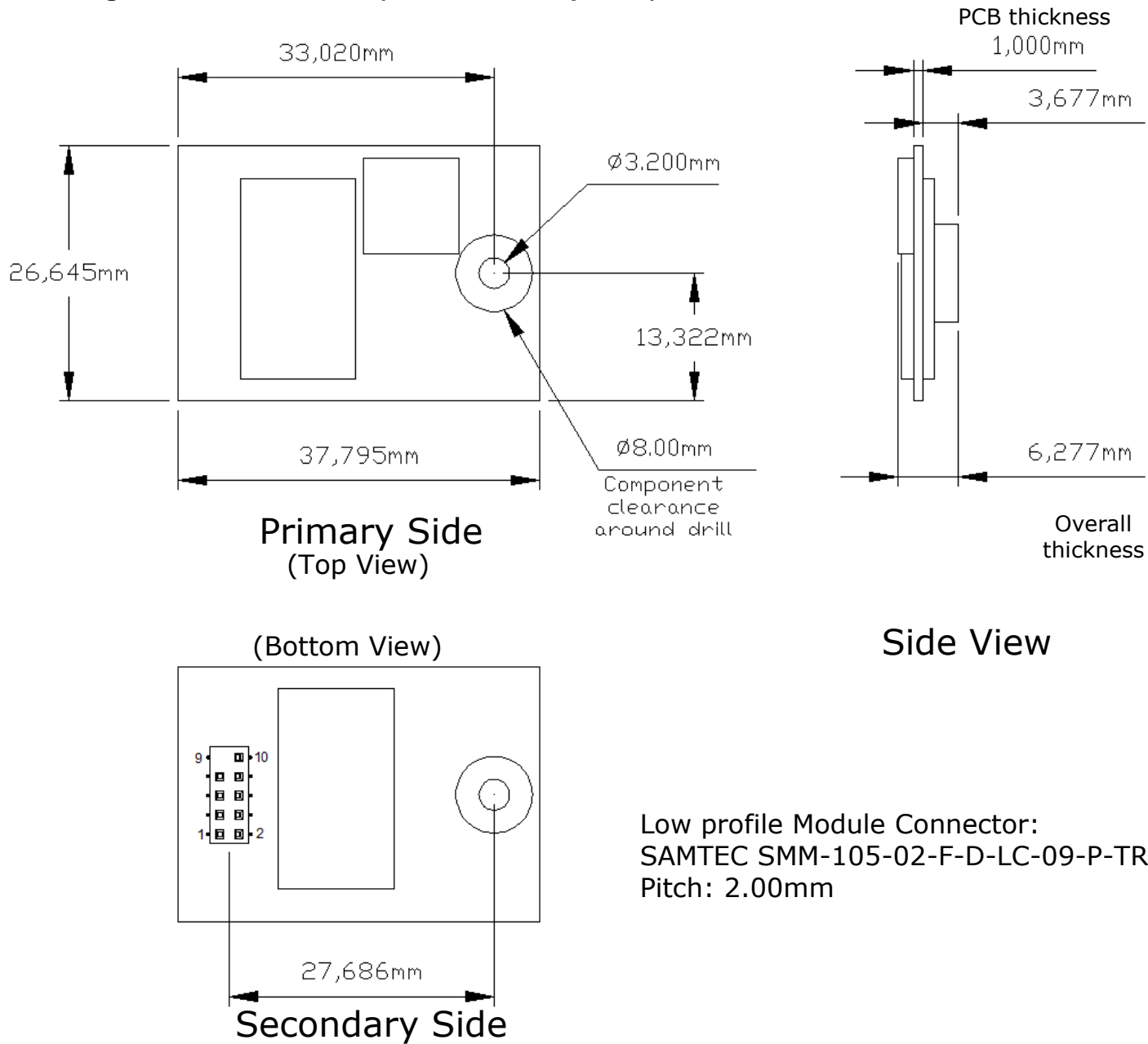
Notes:

1. PCB number is silkscreened on the PCB
2. Dimensions shown in millimeters [inches]
3. Max screw penetration is 5mm at all 4 locations.
4. The module connector height is 7.4 ± 0.13 [0.290± 0.005] plus standoff ~ 0.45mm ± 0.13 when mounted to a PCB.
5. Connector height with standoff is 8.00± 0.13 [0.315± 0.005]
6. PCB Tolerance is +/- 0.127mm [0.005 inch], unless otherwise stated

Manual	10/27/2017
PSFDUC3XXXXYXX	Viking Technology
Revision H	Page 14 of 20

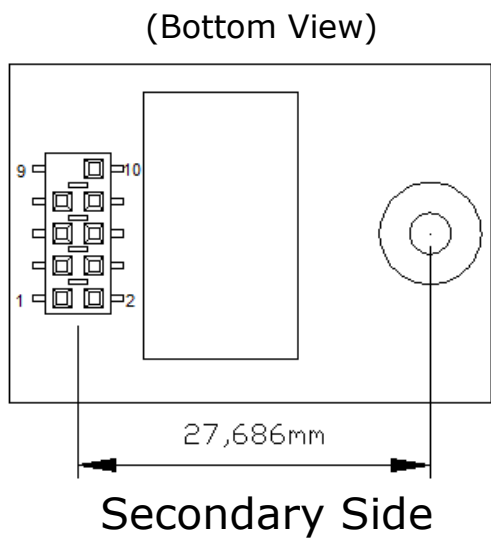
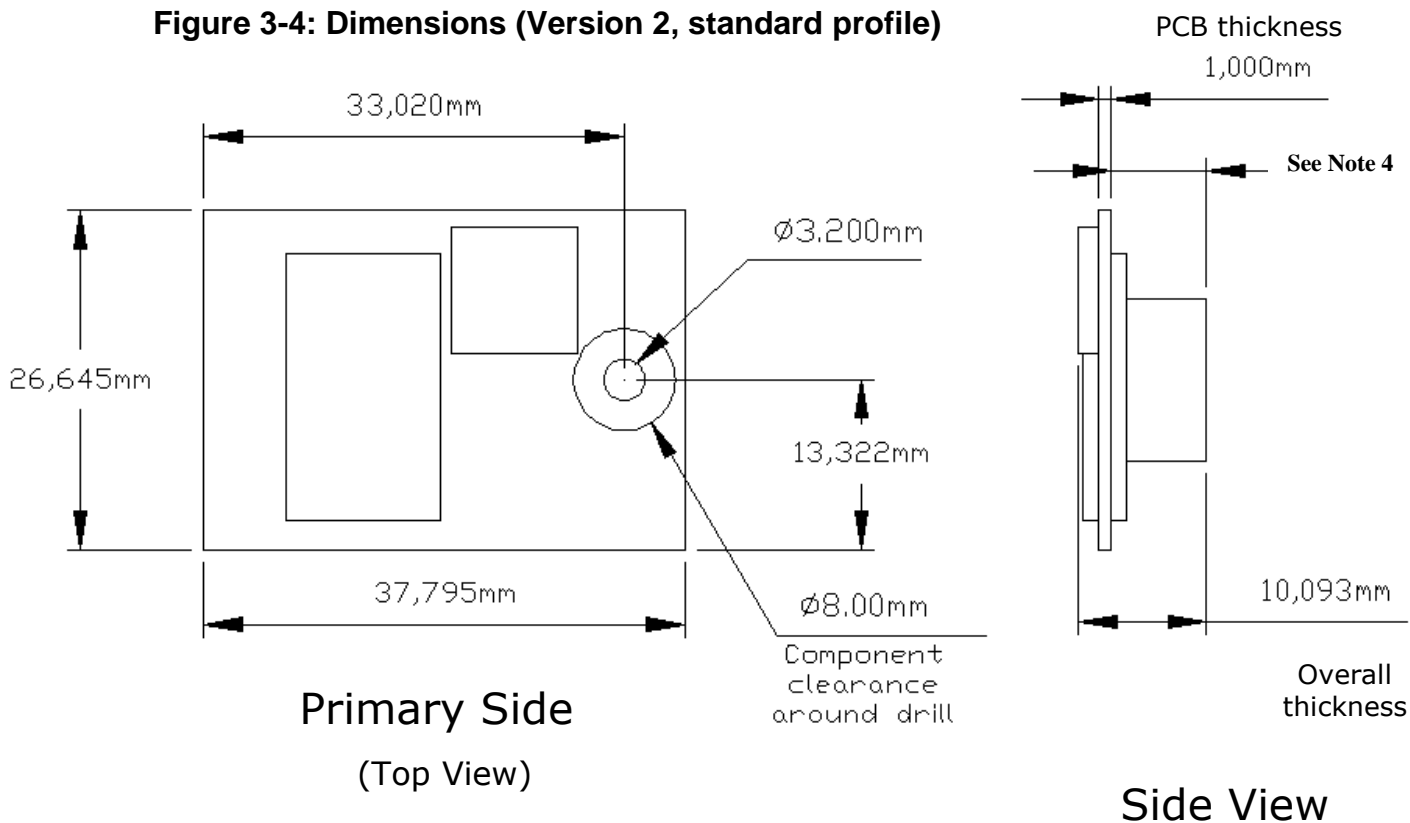
The dimensions of the eUSB (version 2) are based on the following
PCB #s: 1448, 1449

Figure 3-3: Dimensions (Version-2, low profile)



Manual	10/27/2017
PSFDUC3XXXXYXX	Viking Technology
Revision H	Page 15 of 20

Figure 3-4: Dimensions (Version 2, standard profile)



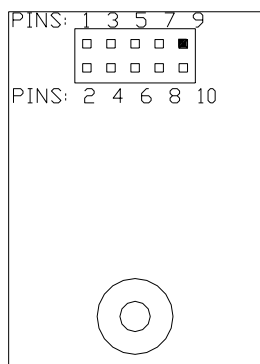
Notes:

1. Standard Profile Module Connector:
SAMTEC SSM-105-L-DV-LC-009-P-TR
Pitch: 2.54mm
2. Dimensions shown in millimeters
3. Max screw penetration is 5mm at all 4 locations.
4. The module connector height is $7.4 \pm 0.13\text{mm}$ [0.290 ± 0.005 inches]
5. PCB Tolerance is $\pm 0.127\text{mm}$ [0.005 inch], unless otherwise stated
6. Maximum component height on secondary side (Bottom) is $3.7 \pm 0.06\text{mm}$ [0.145 ± 0.003 inches]

Manual	10/27/2017
PSFDUC3XXXXYXX	Viking Technology
Revision H	Page 16 of 20

4 Pin and Signal Descriptions

Figure 4-1: Connector Pin Assignments



4.1 Signal and Power Description Tables

Table 4-1: eUSB Connector Pin Signal Definitions

Pin	Signal Name	Type	Description
1	VBUS	Power	3.3 or 5V power supply
2	NC	NC	Not connected
3	DM	I/O	USB 2.0 Data Negative Pin
4	NC	NC	Not connected
5	DP	I/O	USB 2.0 Data Positive Pin
6	NC	NC	Not connected
7	GND	Power	Ground
8	NC	NC	Not connected
9	N/A	Key	Polarization
10	#Activity	I/O	Status signal that indicates when the drive is busy. This signal may be used to drive a low current LED or other logic on the host to indicate drive status to the user or system. This signal is active low and has a 4mA drive strength.

Notes:

- * Available custom options: Pin 2 Chassis ground option; Pin 4 Hardware /WP; Pin 6 Hardware /Reset. Custom options available on locked BOMs only.

Manual	10/27/2017
PSFDUC3XXXXYXX	Viking Technology
Revision H	Page 17 of 20

5 Command Sets

The tables below summarize the supported SCSI feature set and commands.

Table 5-1: SCSI Feature Set

SCSI Command	OpCode
TEST_UNIT_READY	0x00
REZERO_UNIT	0x01 *
REQUEST_SENSE	0x03
FORMAT	0x04
INQUIRY	0x12
MODE_SELECT_6	0x15 *
MODE_SENSE_6	0x1A
START_STOP_UNIT	0x1B
SEND_DIAGNOSTIC	0x1D *
PREVENT/ALLOW MEDIUM REMOVE	0x1E +
READ_FORMAT_CAPACITIES	0x23
READ_CAPACITY	0x25
READ_10	0x28
WRITE_10	0x2A
SEEK	0x2B *
WRITE_AND_VERIFY	0x2E
VERIFY	0x2F *
SYNCHRONIZE_CACHE	0x35 *
READTOC	0x43
PLAY_AUDIO_10	0x45 *
MODE_SELECT_10	0x55 *
MODE_SENSE_10	0x5A
READ_12	0xA8
WRITE_12	0xAA

Notes:

1. SM3252BB/SM325AC SMI Controller
2. Note *: Recognize the command and just response PASS status. No other process.
3. Note +: Recognize the command and just response PASS or Fail status. No other process.
4. Note others : Support command function but not full as described in spec. For example: Command WRITE_AND_VERIFY has write function only.

Manual	10/27/2017
PSFDUC3XXXXYXX	Viking Technology
Revision H	Page 18 of 20

Table 5-2: SCSI Error Codes List

Sense Key	ASC	ASC Q	Description
0x02	0x04	0x02	LOGICAL UNIT NOT READY - INITIALIZATION REQUIRED
0x02	0x3A	0x00	MEDIUM NOT PRESENT
0x02	0x7B	0x00	VENDOR SPECIFIC
0x05	0x20	0x00	INVALID COMMAND OPERATION CODE
0x05	0x21	0x00	LOGICAL BLOCK ADDRESS OUT OF RANGE
0x05	0x24	0x00	INVALID FIELD IN CDB
0x06	0x28	0x00	NOT READY TO READY CHANGE, MEDIUM MAY HVAE CHANGED
0x07	0x27	0x00	WRITE PROTECTED
0x00	0x00	0x00	UN C

6 Certifications and Compliance

Table 6-1: Device Certifications

Certification/Compliance	Description
RoHS	Viking Technology, Sanmina Corporation ("Viking") shall use commercially reasonable efforts to provide components, parts, materials, products and processes to customers that do not contain: (i) lead, mercury, hexavalent chromium, polybrominated biphenyls (PBB) and polybrominated diphenyl ethers (PBDE) above 0.1% by weight in homogeneous material or (ii) cadmium above 0.01% by weight of homogeneous material, except as provided in any exemption(s) from RoHS requirements (including the most current version of the "Annex" to Directive\ 2002/95/EC of 27 January, 2003), as codified in the specific laws of the EU member countries. Viking strives to obtain appropriate contractual protections from its suppliers in connection with the RoHS Directives.
EU WEEE Compliant	The Waste Electrical and Electronic Equipment Directive (WEEE Directive) is the European Community directive 2002/96/EC on waste electrical and electronic equipment (WEEE) which, together with the RoHS Directive 2002/95/EC, became European Law in February 2003, setting collection, recycling and recovery targets for all types of electrical goods.
Safety	All printed circuit boards (PCBs) have a flammability rating of UL94V-0.

7 References

- USB Specification, version 2.0

Manual	10/27/2017
PSFDUC3XXXXYXX	Viking Technology
Revision H	Page 19 of 20

Index

Dimensions	14	MTBF	11
Endurance	12	Power Consumption	10, 11
<i>Environmental Conditions</i>	11	Temperature.....	11
Erase Endurance	12	Timing Specifications	9
Humidity.....	11	Wear-leveling	12

Manual	10/27/2017
PSFDUC3XXXXYXX	Viking Technology
Revision H	Page 20 of 20