

PART NAME: KNOB SCALE: 1:1 DATE: 5/18/99 DR. BY TL

THIS DRAWING IS THE PROPERTY OF DAVIES MOLDING COMPANY, IS SUBMITTED SOLELY AS A DESIGN OR ENGINEERING PROJECT. WE ACCEPT NO RESPONSIBILITY WHATSOEVER FOR THE PRACTICAL APPLICATION OF THE PIECES MADE TO THIS DESIGN.

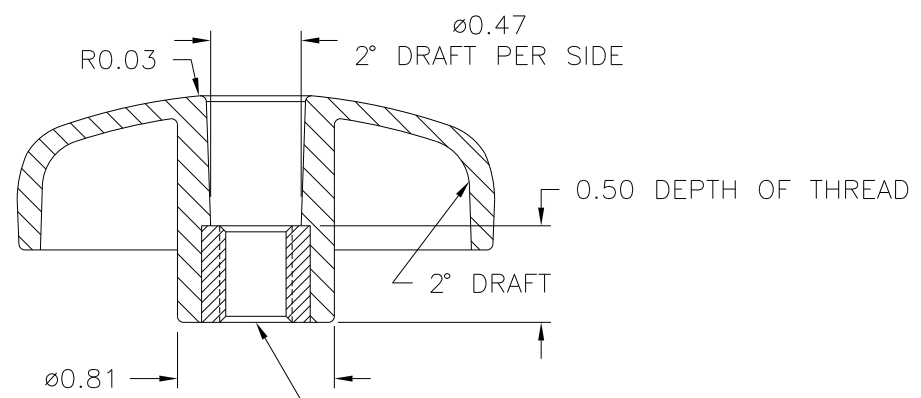


DESIGNERS & MANUFACTURERS OF KNOBS, HANDLES, CASES & CUSTOM PLASTIC COMPONENTS

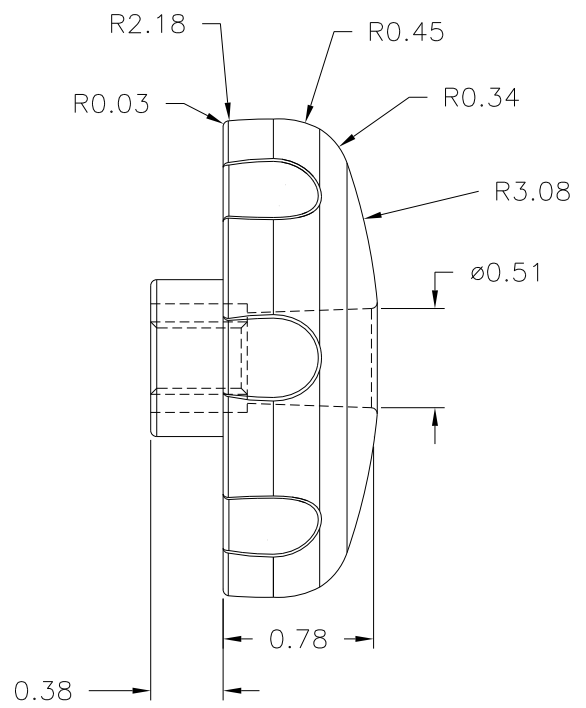
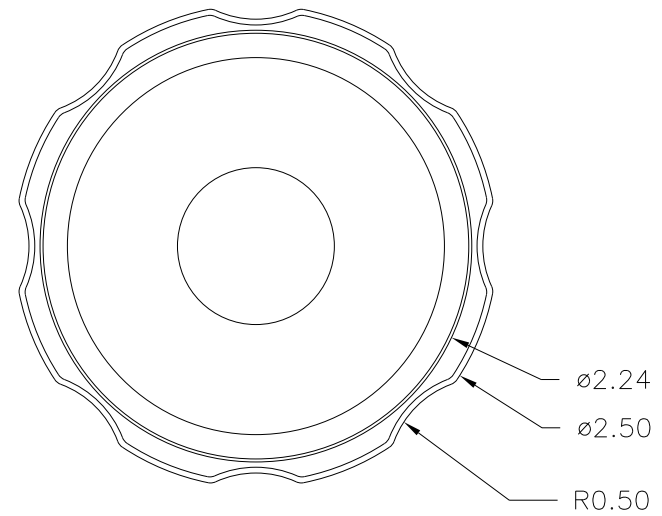
P/N 4300HK

ROTARY TABLE SETUP

UNIT IN PRESS	DH1 OR 2
F ^{NO} TOP	IR-4302
F ^{NO} BOTTOM	IR-4300
CAVITY	BUILT IN
CORE	BUILT IN
TOP PIN	4300HK
CORE PLUG	4300
SLEEVE	4300
PIN	4300HC
INSERT	I1673



3/8-16 UNC-2B THREADED I1673, H.H. BRASS



MATERIAL: 33% GLASS-FILLED NYLON 6/6 (BD1)
COLOR: BLACK

TOLERANCES: UNLESS OTHERWISE SPECIFIED	DO NOT SCALE DRAWING			
DECIMALS: X.XXX ± .005 X.XX ± .015	MM: X.XX ± 0.15MM X.X ± 0.4MM	-	CORRECTED TOOLING BOX	TS 1/15/2001
FRACTIONS ± 1/64	ANG. ± 1°	CHANGES		

