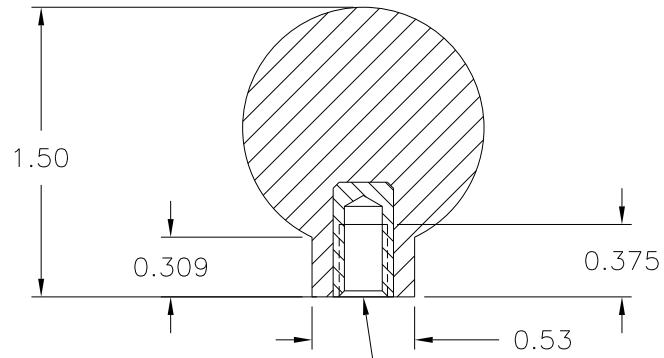
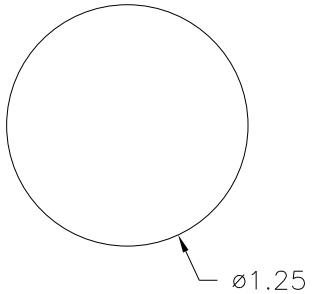


PART NAME: BALL KNOB SCALE: 1 : 1 DATE: 8/19/63 DR. BY LSP

THIS DRAWING IS THE PROPERTY OF DAVIES MOLDING COMPANY, IS SUBMITTED SOLELY AS A DESIGN OR ENGINEERING PROJECT. WE ACCEPT NO RESPONSIBILITY WHATSOEVER FOR THE PRACTICAL APPLICATION OF THE PIECES MADE TO THIS DESIGN.



| | |
|------------------|--------|
| P/N | 0025AN |
| M ^{NO.} | 0025 |
| PINS | 0025-G |
| SHIM | NONE |
| INSERT | I0035 |



1/4-20 UNC-2B THREADED
I0035, H.H. BRASS

MATERIAL: #4311 PLENCO PHENOLIC (B41)
COLOR: BLACK

| | | | | | |
|---|----------------------------------|---|---------------|-----|----------|
| TOLERANCES: UNLESS OTHERWISE SPECIFIED | DO NOT SCALE DRAWING | - | ADDED METRIC | JAM | 10/25/00 |
| DECIMALS: X.XXX ± .005 X.XX ± .015 | MM: X.XX ± 0.15MM X.X ± 0.4MM | - | RE-DID REDRAW | TL | 10/4/99 |
| FRACTIONS ± 1/64 | ANG. ± 1° | - | CAD REDRAW | HD | 6/15/92 |
| CHANGES | | | | | |