

PART NAME: 5 STAR-KNOB SCALE: 1:1 DATE: 10/21/96 DR. BY HD

THIS DRAWING IS THE PROPERTY OF DAVIES MOLDING COMPANY, IS SUBMITTED SOLELY AS A DESIGN OR ENGINEERING PROJECT. WE ACCEPT NO RESPONSIBILITY WHATSOEVER FOR THE PRACTICAL APPLICATION OF THE PIECES MADE TO THIS DESIGN.

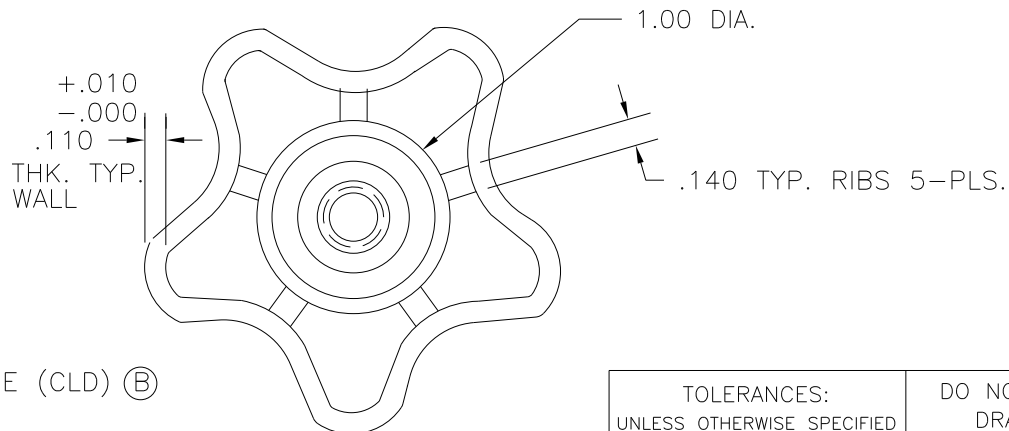
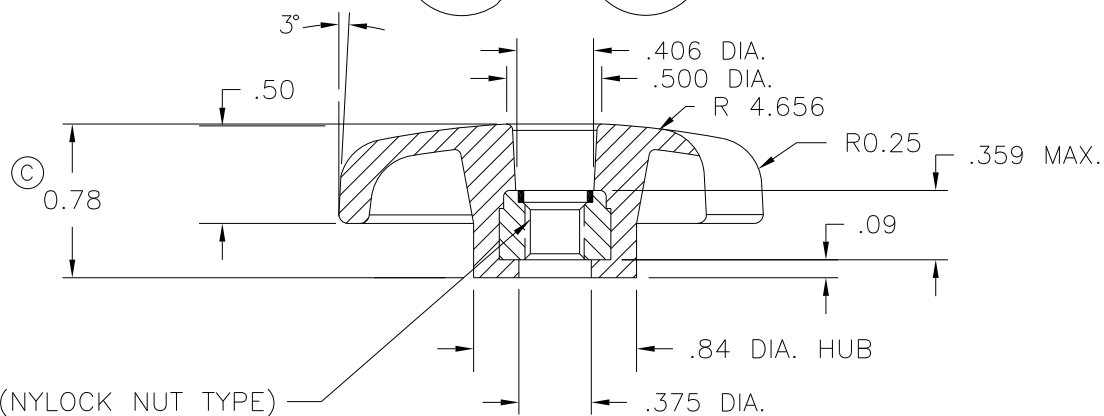
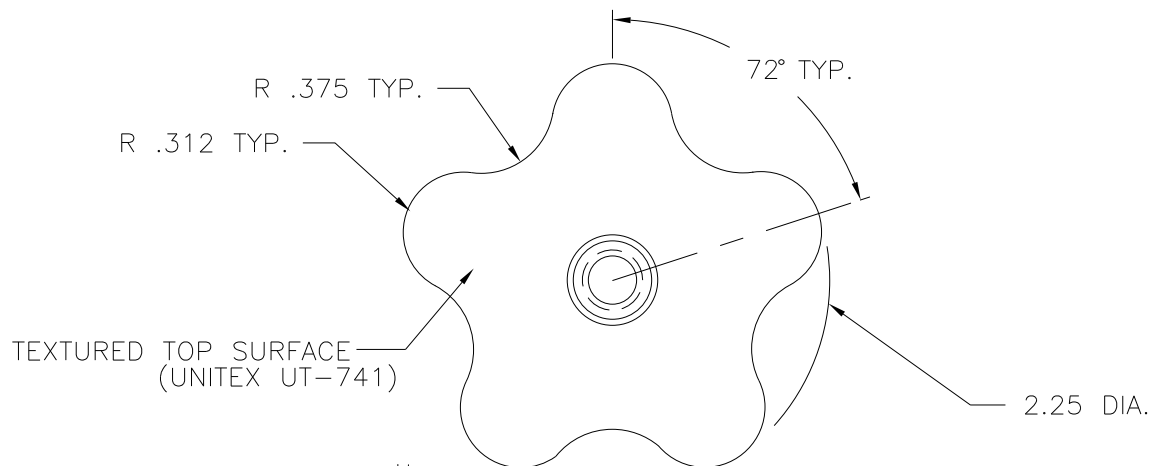


DESIGNERS & MANUFACTURERS OF KNOBS, HANDLES, CASES & CUSTOM PLASTIC COMPONENTS

P/N 2980AL

M NO. # 9 FRAME

CAV.	2980
CORE	2980
TOP PIN	2980AL
SLEEVE	2980
PIN	2980AL
INSERT	11680
BELLEVELLE WASHER(S)	.028 THK.(5)



MATERIAL: POLYPROPYLENE (CLD) (B)  
COLOR: BLACK

TOLERANCES: UNLESS OTHERWISE SPECIFIED	DO NOT SCALE DRAWING	C	WAS 25/32	JAM	11/17/14
DECIMALS: X.XXX ± .005 X.XX ± .015	MM: X.XX ± 0.15MM X.X ± 0.4MM	B	ADDED MAT. CODE	DS	1/26/07
FRACTIONS ± 1/64	ANG. ± 1°	A	WAS 20% T.F.P.P.	TL	8/23/99
CHANGES					