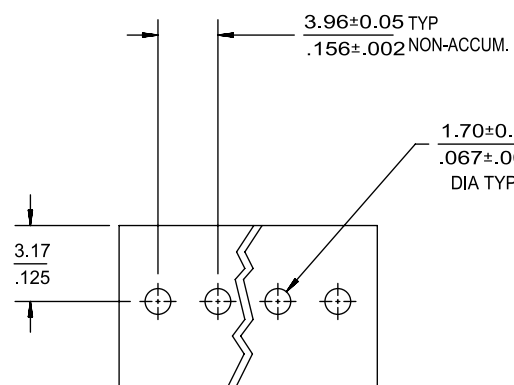
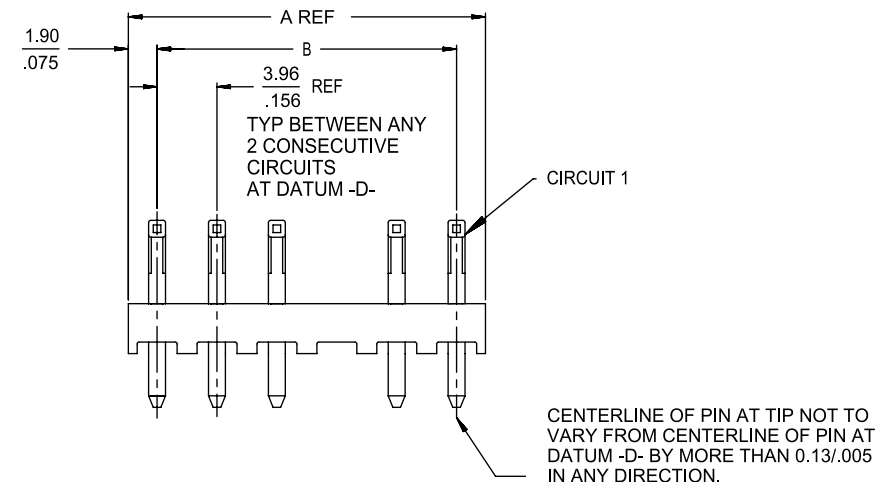
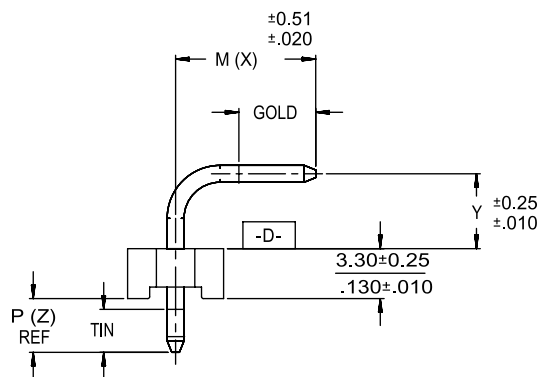
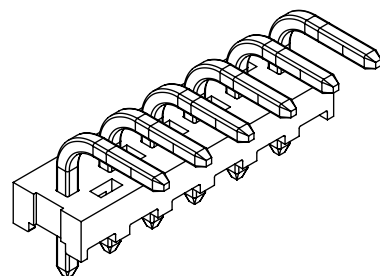
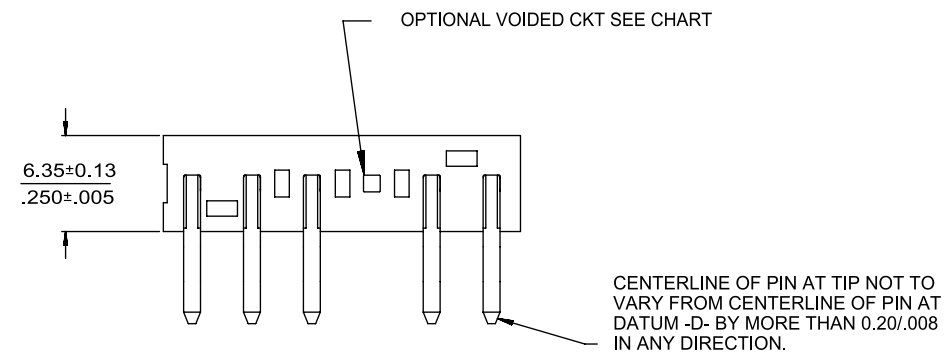


CKT	DIM. A	DIM. B
2	7.77 .306	3.96±0.05 .156±.002
3	11.73 .462	7.92±0.08 .312±.003
4	15.70 .618	11.89±0.08 .468±.003
5	19.66 .774	15.85±0.10 .624±.004
6	23.62 .930	19.81±0.10 .780±.004
7	27.58 1.086	23.77±0.10 .936±.004
8	31.55 1.242	27.74±0.13 1.092±.005
9	35.51 1.398	31.70±0.13 1.248±.005
10	39.47 1.554	35.66±0.13 1.404±.005
11	43.43 1.710	39.62±0.15 1.560±.006
12	47.40 1.866	43.59±0.15 1.716±.006
13	51.36 2.022	47.55±0.15 1.872±.006
14	55.32 2.178	51.51±0.18 2.028±.007
15	59.28 2.334	55.47±0.18 2.184±.007
16	63.25 2.490	59.44±0.18 2.340±.007

- NOTES:
- MATERIAL: HEADER-GLASS FILLED POLYESTER, 94V-0, MOLDED NATURAL (WHITE).
 - FINISH:
 - (154) OVERALL TIN: 0.00254/.000100 MIN OVER 0.00127/.000050 MIN NICKEL.
 - (197) OVERALL REFLOWED MATTE TIN: 0.00152/.000060 MIN. OVER 0.00127/.000050 MIN. NICKEL OVERALL.
 - (208) SELECT GOLD: 0.00038/.000015 MIN, SELECT TIN: 0.00254/.000100 MIN, OVERALL NICKEL UNDERPLATE: 0.00127/.000050 MIN.
 - (228) SELECT GOLD: 0.00076/.000030 MIN, SELECT TIN: 0.00254/.000100 MIN, OVERALL NICKEL UNDERPLATE: 0.00127/.000050 MIN.
 - (241) SELECT GOLD: 0.00051/.000020 MIN. SELECT TIN: 0.00254/.000100 MIN. OVERALL NICKEL UNDERPLATE: 0.00127/.000050 MIN.
 - PRODUCT SPECIFICATION AND PROCESS PARAMETERS: SEE PS-08-50.
 - PACKAGING: SEE CHART
 - SOLDERABILITY: PER SMES-152.
 - PIN PUSH-OUT FORCE: PRIOR TO SOLDERING, A 3 LB. MINIMUM FORCE (IN EITHER DIRECTION)
 - PARTS ARE STACKABLE END TO END ON 3.96/.156 CENTERS.
 - THIS PART CONFORMS TO CLASS B REQUIREMENTS OF COSMETIC SPECIFICATION PS-45499-002.



RECOMMENDED PC BOARD HOLE LAYOUT

QUALITY SYMBOLS		THIS DRAWING CONTAINS INFORMATION THAT IS PROPRIETARY TO MOLEX ELECTRONIC TECHNOLOGIES, LLC AND SHOULD NOT BE USED WITHOUT WRITTEN PERMISSION											
∇_A	= 0	REMOVE 17,18 CKT	2016/06/08	2016/08/15	2016/08/25	GENERAL TOLERANCES (UNLESS SPECIFIED)		DIMENSION UNITS	SCALE				
∇_B	= 0					MM	INCH	MM/IN	2:1				
∇_C	= 0					4 PLACES	±	±	DRWN BY	DATE	KK 156 HEADER ASSEMBLY FLAT RIGHT ANGLE SOLID BODY W/O PEGS		
∇_D	= 0					3 PLACES	±	± 0.01	SCHAFFER	11-19-03			
∇_E	= 0					2 PLACES	± 0.25	± 0.015	CHK'D BY	DATE	PRODUCT CUSTOMER DRAWING		
∇_F	= 0					1 PLACES	± 0.38	±	SAMIEC	11-21-03			
∇_G	= 0	0 PLACES	±	±	APPR BY	DATE	SERIES MATERIAL NUMBER CUSTOMER 41772 SEE CHART GENERAL MARKET						
∇_H	= 0	ANGULAR TOL ± 0.5		DRAWING SIZE	THIRD ANGLE PROJECTION	DOCUMENT NUMBER DOC TYPE DOC PART SHEET NUMBER SDA-41772 PSD 000 1 OF *							
∇_I	= 0	DRAFT WHERE APPLICABLE MUST REMAIN WITHIN DIMENSIONS		B									
∇_J	= 0	2-*		N	EC NO: 105925		DRWN: BAPPELDORN		CHK'D: MKIPPER		APPR: FSMITH		
SHEET		REV		N		REV							

RELEASE STATUS	RELEASE DATE
----------------	--------------

OPTIONS	Group	A-41772-0002/0016	Group	A-41772-0463/0477	Group	A-41772-0480/0494	Group	A-41772-0036/0050
	Header No:	41770-0002/0016	Header No:	41770-0002/0016	Header No:	41770-0002/0016	Header No:	41770-0002/0016
	Pin No:	43294-0473	Pin No:	43294-0470	Pin No:	43294-0471	Pin No:	43294-0526
	Plating:	197 – TIN	Plating:	208 - 15 GOLD	Plating:	228 - 30 GOLD	Plating:	197 – TIN
	Pin Length L	25.40 / 1.000	Pin Length L	25.40 / 1.000	Pin Length L	25.40 / 1.000	Pin Length L	26.92 / 1.060
	Mating M	14.86 / .585	Mating M	14.86 / .585	Mating M	14.86 / .585	Mating M	16.43 / .647
	Gold Loc G	N/A	Gold Loc G	7.11/ .280	Gold Loc G	7.11/ .280	Gold Loc G	N/A
	Height Y	4.95 / .195	Height Y	4.95 / .195	Height Y	4.95 / .195	Height Y	4.95 / .195
	PC Tail P	3.56 / .140	PC Tail P	3.56 / .140	PC Tail P	3.56 / .140	PC Tail P	3.51 / .138
	Tin Loc T	OVERALL	Tin Loc T	4.06/ .160	Tin Loc T	4.06/ .160	Tin Loc T	OVERALL
	Voided Ckts	NONE	Voided Ckts	NONE	Voided Ckts	NONE	Voided Ckts	NONE
	Pack Per	417720000-PK	Pack Per	417720000-PK	Pack Per	417720000-PK	Pack Per	417720000-PK
	Ckts	Material No	Engineer Number	Material No	Engineer Number	Material No	Engineer Number	Material No
2	26-60-3020	A-41772-0002	41772-0463	A-41772-0463	41772-0480	A-41772-0480	26-60-3021	A-41772-0036
3	26-60-3030	A-41772-0003	41772-0464	A-41772-0464	41772-0481	A-41772-0481	26-60-3031	A-41772-0037
4	26-60-3040	A-41772-0004	41772-0465	A-41772-0465	41772-0482	A-41772-0482	26-60-3041	A-41772-0038
5	26-60-3050	A-41772-0005	41772-0466	A-41772-0466	41772-0483	A-41772-0483	26-60-3051	A-41772-0039
6	26-60-3060	A-41772-0006	41772-0467	A-41772-0467	41772-0484	A-41772-0484	26-60-3061	A-41772-0040
7	26-60-3070	A-41772-0007	41772-0468	A-41772-0468	41772-0485	A-41772-0485	26-60-3071	A-41772-0041
8	26-60-3080	A-41772-0008	41772-0469	A-41772-0469	41772-0486	A-41772-0486	26-60-3081	A-41772-0042
9	26-60-3090	A-41772-0009	41772-0470	A-41772-0470	41772-0487	A-41772-0487	26-60-3091	A-41772-0043
10	26-60-3100	A-41772-0010	41772-0471	A-41772-0471	41772-0488	A-41772-0488	26-60-3101	A-41772-0044
11	26-60-3110	A-41772-0011	41772-0472	A-41772-0472	41772-0489	A-41772-0489	26-60-3111	A-41772-0045
12	26-60-3120	A-41772-0012	41772-0473	A-41772-0473	41772-0490	A-41772-0490	26-60-3121	A-41772-0046
13	26-60-3130	A-41772-0013	41772-0474	A-41772-0474	41772-0491	A-41772-0491	26-60-3131	A-41772-0047
14	26-60-3140	A-41772-0014	41772-0475	A-41772-0475	41772-0492	A-41772-0492	26-60-3141	A-41772-0048
15	26-60-3150	A-41772-0015	41772-0476	A-41772-0476	41772-0493	A-41772-0493	26-60-3151	A-41772-0049
16	26-60-3160	A-41772-0016	41772-0477	A-41772-0477	41772-0494	A-41772-0494	26-60-3161	A-41772-0050

REV:	<u>ECM INFORMATION:</u>		<u>TITLE:</u>			<u>SHEET No.</u>
N	EC No.:	105925	KK 156 HEADER ASSEMBLY FLAT RIGHT ANGLE SOLID BODY W/O PEGS			- 2 -
	DATE:	8/25/2016				
<u>DOCUMENT NUMBER:</u>	<u>DOC TYPE:</u>	<u>DOC PART:</u>	<u>CREATED / REVISED BY:</u>	<u>CHECKED BY:</u>	<u>APPROVED BY:</u>	
SDA- 41772	PSD	002	BAPPELDORN	MKIPPER	FSMITH	

OPTIONS	Group	A-41772-0497/0511	Group	A-41772-0514/0528	Group	A-41772-0019/0033	Group	A-41772-0070/0084
	Header No:	41770-0002/0016	Header No:	41770-0002/0016	Header No:	41770-0002/0016	Header No:	41770-0002/0016
	Pin No:	43294-0524	Pin No:	43294-0525	Pin No:	43294-0474	Pin No:	43294-0598
	Plating:	208 – 15 GOLD	Plating:	228 – 30 GOLD	Plating:	241 – GOLD	Plating:	197-TIN
	Pin Length L	26.92/ 1.060	Pin Length L	26.92/ 1.060	Pin Length L	25.40/ 1.000	Pin Length L	28.70 / 1.130
	Mating M	16.51 / .650	Mating M	16.51 / .650	Mating M	14.86 / .585	Mating M	17.73/ .698
	Gold Loc G	8.77/ .345	Gold Loc G	8.77/ .345	Gold Loc G	7.11/ .280	Gold Loc G	N/A
	Height Y	4.95 / .195	Height Y	4.95 / .195	Height Y	4.95 / .195	Height Y	4.98/ .196
	PC Tail P	3.43 / .135	PC Tail P	3.43 / .135	PC Tail P	3.56 / .140	PC Tail P	3.96/ .156
	Tin Loc T	5.08/ .200	Tin Loc T	5.08/ .200	Tin Loc T	4.06/ .160	Tin Loc T	OVERALL
	Voided Ckts	NONE	Voided Ckts	NONE	Voided Ckts	NONE	Voided Ckts	NONE
	Pack Per	417720000-PK	Pack Per	417720000-PK	Pack Per	417720000-PK	Pack Per	417720000-PK
	Ckts	Material No	Engineer Number	Material No	Engineer Number	Material No	Engineer Number	Material No
2	41772-0497	A-41772-0497	41772-0514	A-41772-0514	26-61-3020	A-41772-0019	26-60-3026	A-41772-0070
3	41772-0498	A-41772-0498	41772-0515	A-41772-0515	26-61-3030	A-41772-0020	26-60-3036	A-41772-0071
4	41772-0499	A-41772-0499	41772-0516	A-41772-0516	26-61-3040	A-41772-0021	26-60-3046	A-41772-0072
5	41772-0500	A-41772-0500	41772-0517	A-41772-0517	26-61-3050	A-41772-0022	26-60-3056	A-41772-0073
6	41772-0501	A-41772-0501	41772-0518	A-41772-0518	26-61-3060	A-41772-0023	26-60-3066	A-41772-0074
7	41772-0502	A-41772-0502	41772-0519	A-41772-0519	26-61-3070	A-41772-0024	26-60-3076	A-41772-0075
8	41772-0503	A-41772-0503	41772-0520	A-41772-0520	26-61-3080	A-41772-0025	26-60-3086	A-41772-0076
9	41772-0504	A-41772-0504	41772-0521	A-41772-0521	26-61-3090	A-41772-0026	26-60-3096	A-41772-0077
10	41772-0505	A-41772-0505	41772-0522	A-41772-0522	26-61-3100	A-41772-0027	26-60-3106	A-41772-0078
11	41772-0506	A-41772-0506	41772-0523	A-41772-0523	26-61-3110	A-41772-0028	26-60-3116	A-41772-0079
12	41772-0507	A-41772-0507	41772-0524	A-41772-0524	26-61-3120	A-41772-0029	26-60-3126	A-41772-0080
13	41772-0508	A-41772-0508	41772-0525	A-41772-0525	26-61-3130	A-41772-0030	26-60-3136	A-41772-0081
14	41772-0509	A-41772-0509	41772-0526	A-41772-0526	26-61-3140	A-41772-0031	26-60-3146	A-41772-0082
15	41772-0510	A-41772-0510	41772-0527	A-41772-0527	26-61-3150	A-41772-0032	26-60-3156	A-41772-0083
16	41772-0511	A-41772-0511	41772-0528	A-41772-0528	26-61-3160	A-41772-0033	26-60-3166	A-41772-0084

N	REV:	<u>ECM INFORMATION:</u>	<u>TITLE:</u>	KK 156 HEADER ASSEMBLY FLAT RIGHT ANGLE SOLID BODY W/O PEGS	<u>SHEET No.</u>
	EC No.:	105925			- 3 -
	DATE:	8/25/2016			
<u>DOCUMENT NUMBER:</u>	<u>DOC TYPE:</u>	<u>DOC PART:</u>	<u>CREATED / REVISED BY:</u>	<u>CHECKED BY:</u>	<u>APPROVED BY:</u>
SDA- 41772	PSD	002	BAPPELDORN	MKIPPER	FSMITH

OPTIONS	Group	A-41772-0155/0169	Group		Group		Group	A-41772-0206/0220
	Header No:	41770-0002/0016	Header No:		Header No:		Header No:	41770-0002/0016
	Pin No:	43294-0473	Pin No:		Pin No:		Pin No:	43294-0500
	Plating:	197-TIN	Plating:		Plating:		Plating:	197-TIN
	Pin Length L	25.40/ 1.000	Pin Length L		Pin Length L		Pin Length L	26.16/ 1.030
	Mating M	14.86/ .585	Mating M		Mating M		Mating M	14.81/ .583
	Gold Loc G	N/A	Gold Loc G		Gold Loc G		Gold Loc G	N/A
	Height Y	4.95/ .195	Height Y		Height Y		Height Y	4.95/ .195
	PC Tail P	3.56/ .140	PC Tail P		PC Tail P		PC Tail P	4.37/ .172
	Tin Loc T	OVERALL	Tin Loc T		Tin Loc T		Tin Loc T	OVERALL
	Voided Ckts	CKT 2	Voided Ckts		Voided Ckts		Voided Ckts	NONE
	Pack Per	417720000-PK	Pack Per		Pack Per		Pack Per	417720000-PK
	Ckts	Material No	Engineer Number	Material No	Engineer Number	Material No	Engineer Number	Material No
2	26-62-3024	A-41772-0155						A-41772-0206
3	26-62-3034	A-41772-0156						A-41772-0207
4	26-62-3044	A-41772-0157						A-41772-0208
5	26-62-3054	A-41772-0158						A-41772-0209
6	26-62-3064	A-41772-0159						A-41772-0210
7	26-62-3074	A-41772-0160						A-41772-0211
8	26-62-3084	A-41772-0161					26-60-3082	A-41772-0212
9	26-62-3094	A-41772-0162						A-41772-0213
10	26-62-3104	A-41772-0163						A-41772-0214
11	26-62-3114	A-41772-0164						A-41772-0215
12	26-62-3124	A-41772-0165					26-60-3122	A-41772-0216
13	26-62-3134	A-41772-0166						A-41772-0217
14	26-62-3144	A-41772-0167					26-60-3142	A-41772-0218
15	26-62-3154	A-41772-0168						A-41772-0219
16	26-62-3164	A-41772-0169						A-41772-0220

REV:	<u>ECM INFORMATION:</u>		<u>TITLE:</u>			<u>SHEET No.</u>
N	EC No.:	105925	KK 156 HEADER ASSEMBLY FLAT RIGHT ANGLE SOLID BODY W/O PEGS			- 4 -
	DATE:	8/25/2016				
<u>DOCUMENT NUMBER:</u>	<u>DOC TYPE:</u>	<u>DOC PART:</u>	<u>CREATED / REVISED BY:</u>	<u>CHECKED BY:</u>	<u>APPROVED BY:</u>	
SDA- 41772	PSD	002	BAPPELDORN	MKIPPER	FSMITH	

OPTIONS	Group	A-41772-0291/0305	Group	A-41772-0308/ 0322	Group	A-41772-0325/0338	Group	A-41772-0341/0350
	Header No:	41770-0002/0016	Header No:	41770-0002/0016	Header No:	41770-0003/0016	Header No:	41770-0007/0016
	Pin No:	43294-0455	Pin No:	43294-0157	Pin No:	43294-0473	Pin No:	43294-0473
	Plating:	197-TIN	Plating:	197-TIN	Plating:	197-TIN	Plating:	197-TIN
	Pin Length L	24.89/ .980	Pin Length L	17.02/ .670	Pin Length L	25.40/ 1.000	Pin Length L	25.40/ 1.000
	Mating M	13.54/ .533	Mating M	5.94/ .234	Mating M	14.86/ .585	Mating M	14.86/ .585
	Gold Loc G	N/A	Gold Loc G	N/A	Gold Loc G	N/A	Gold Loc G	N/A
	Height Y	4.93/ .194	Height Y	4.90/ .193	Height Y	4.95/ .195	Height Y	4.95/ .195
	PC Tail P	3.86/ .152	PC Tail P	3.61/ .142	PC Tail P	3.56/ .140	PC Tail P	3.56/ .140
	Tin Loc T	OVERALL	Tin Loc T	OVERALL	Tin Loc T	OVERALL	Tin Loc T	OVERALL
	PIN BEND R.	.045 R	PIN BEND R.	.045 R	Voided Ckts	CKT 3	Voided Ckts	CKT 7
	Pack Per	417720000-PK	Pack Per	417720000-PK	Pack Per	417720000-PK	Pack Per	417720000-PK
Ckts	Material No	Engineer Number	Material No	Engineer Number	Material No	Engineer Number	Material No	Engineer Number
2		A-41772-0291	26-60-3028	A-41772-0308				
3		A-41772-0292	26-60-3038	A-41772-0309		A-41772-0325		
4	26-60-3047	A-41772-0293	26-60-3048	A-41772-0310		A-41772-0326		
5	26-60-3057	A-41772-0294	26-60-3058	A-41772-0311		A-41772-0327		
6	26-60-3067	A-41772-0295	26-60-3068	A-41772-0312	26-62-3061	A-41772-0328		
7	26-60-3077	A-41772-0296	26-60-3078	A-41772-0313		A-41772-0329		A-41772-0341
8		A-41772-0297	26-60-3088	A-41772-0314	26-62-3081	A-41772-0330	26-62-3082	A-41772-0342
9	26-60-3097	A-41772-0298	26-60-3098	A-41772-0315		A-41772-0331		A-41772-0343
10		A-41772-0299	26-60-3108	A-41772-0316		A-41772-0332		A-41772-0344
11		A-41772-0300	26-60-3118	A-41772-0317		A-41772-0333		A-41772-0345
12	26-60-3127	A-41772-0301	26-60-3128	A-41772-0318		A-41772-0334		A-41772-0346
13		A-41772-0302	26-60-3138	A-41772-0319		A-41772-0335		A-41772-0347
14		A-41772-0303	26-60-3148	A-41772-0320		A-41772-0336		A-41772-0348
15		A-41772-0304	26-60-3158	A-41772-0321		A-41772-0337	26-62-3152	A-41772-0349
16		A-41772-0305	26-60-3168	A-41772-0322		A-41772-0338		A-41772-0350

REV:	<u>ECM INFORMATION:</u>		<u>TITLE:</u>				<u>SHEET No.</u>
N	EC No.:	105925	KK 156 HEADER ASSEMBLY FLAT RIGHT ANGLE SOLID BODY W/O PEGS				- 5 -
	DATE:	8/25/2016					
<u>DOCUMENT NUMBER:</u>	<u>DOC TYPE:</u>	<u>DOC PART:</u>	<u>CREATED / REVISED BY:</u>		<u>CHECKED BY:</u>	<u>APPROVED BY:</u>	
SDA- 41772	PSD	002	BAPPELDORN		MKIPPER	FSMITH	

OPTIONS	Group	A-41772-0353/0365	Group	A-41772-0378/0392	Group	A-41772-0412/0426	Group	A-41772-0429/0443
	Header No:	41770-0004/0016	Header No:	41770-0002/0016	Header No:	41770-0002/0016	Header No:	41770-0002/0016
	Pin No:	43294-0473	Pin No:	43294-0193	Pin No:	43294-0436	Pin No:	43294-0229
	Plating:	197-TIN	Plating:	197-TIN	Plating:	197-TIN	Plating:	197-TIN
	Pin Length L	25.40/ 1.000	Pin Length L	17.78/ .700	Pin Length L	24.38/ .960	Pin Length L	18.80/ .740
	Mating M	14.86/ .585	Mating M	5.87/ .231	Mating M	15.06/ .593	Mating M	10.59/ .417
	Gold Loc G	N/A	Gold Loc G	N/A	Gold Loc G	N/A	Gold Loc G	N/A
	Height Y	4.95/ .195	Height Y	4.90/ .193	Height Y	2.71/ .107	Height Y	2.71/ .107
	PC Tail P	3.56/ .140	PC Tail P	4.45/ .175	PC Tail P	4.06/ .160	PC Tail P	2.92/ .115
	Tin Loc T	OVERALL	Tin Loc T	OVERALL	Tin Loc T	OVERALL	Tin Loc T	OVERALL
	Voided Ckts	CKT 4	PIN BEND R.	.045 R	PIN BEND R.	.045 R	PIN BEND R.	.045 R
	Pack Per	417720000-PK	Pack Per	417720000-PK	Pack Per	417720000-PK	Pack Per	417720000-PK
	Ckts	Material No	Engineer Number	Material No	Engineer Number	Material No	Engineer Number	Material No
2			26-60-3029	A-41772-0378	27-60-3020	A-41772-0412		A-41772-0429
3			26-60-3039	A-41772-0379		A-41772-0413		A-41772-0430
4		A-41772-0353	26-60-3049	A-41772-0380		A-41772-0414		A-41772-0431
5		A-41772-0354	26-60-3059	A-41772-0381		A-41772-0415		A-41772-0432
6		A-41772-0355	26-60-3069	A-41772-0382		A-41772-0416	27-60-3061	A-41772-0433
7		A-41772-0356	26-60-3079	A-41772-0383	27-60-3070	A-41772-0417	27-60-3071	A-41772-0434
8	26-62-3083	A-41772-0357	26-60-3089	A-41772-0384		A-41772-0418		A-41772-0435
9		A-41772-0358	26-60-3099	A-41772-0385		A-41772-0419		A-41772-0436
10		A-41772-0359	26-60-3109	A-41772-0386		A-41772-0420		A-41772-0437
11		A-41772-0360	26-60-3119	A-41772-0387		A-41772-0421		A-41772-0438
12	26-62-3123	A-41772-0361	26-60-3129	A-41772-0388		A-41772-0422		A-41772-0439
13		A-41772-0362	26-60-3139	A-41772-0389		A-41772-0423		A-41772-0440
14		A-41772-0363	26-60-3149	A-41772-0390		A-41772-0424		A-41772-0441
15		A-41772-0364	26-60-3159	A-41772-0391		A-41772-0425		A-41772-0442
16		A-41772-0365	26-60-3169	A-41772-0392		A-41772-0426		A-41772-0443

REV:	<u>ECM INFORMATION:</u>		<u>TITLE:</u>	KK 156 HEADER ASSEMBLY FLAT RIGHT ANGLE SOLID BODY W/O PEGS		<u>SHEET No.</u>
N	EC No.:	105925				- 6 -
	DATE:	8/25/2016				
<u>DOCUMENT NUMBER:</u>	<u>DOC TYPE:</u>	<u>DOC PART:</u>	<u>CREATED / REVISED BY:</u>	<u>CHECKED BY:</u>	<u>APPROVED BY:</u>	
SDA- 41772	PSD	002	BAPPELDORN	MKIPPER	FSMITH	

OPTIONS	Group	A-41772-0446/0460	Group	A-41772-0548/0558	Group	A-41772-0561/0571	Group	A-41772-0605/0619
	Header No:	41770-0002/0016	Header No:	41770-0006/0016	Header No:	41770-0006/0016	Header No:	41770-0002/0016
	Pin No:	43294-0596	Pin No:	43294-0473	Pin No:	43294-0526	Pin No:	43294-0642
	Plating:	241-GOLD	Plating:	197-TIN	Plating:	197-TIN	Plating:	228-GOLD
	Pin Length L	28.70/1.130	Pin Length L	25.40/ 1.000	Pin Length L	26.92/ 1.060	Pin Length L	29.97 / 1.180
	Mating M	17.73/.698	Mating M	14.86/ .585	Mating M	16.43/ .647	Mating M	15.32 / .603
	Gold Loc G	6.85/ .270	Gold Loc G	N/A	Gold Loc G	N/A	Gold Loc G	6.85/ .270
	Height Y	4.95/ .195	Height Y	4.95/ .195	Height Y	4.95/ .195	Height Y	9.25 / .364
	PC Tail P	3.99/ .157	PC Tail P	3.56/ .140	PC Tail P	3.51/ .138	PC Tail P	3.38 / .133
	Tin Loc T	5.08/ .200	Tin Loc T	OVERALL	Tin Loc T	OVERALL	Tin Loc T	5.08/ .200
	Voided Ckts	NONE	Voided Ckts	CKTS 2, 4, 6	Voided Ckts.	CKTS 2, 4, 6	Voided Ckts.	NONE
	Pack Per	417720000-PK	Pack Per	417720000-PK	Pack Per	417720000-PK	Pack Per	417720000-PK
	Ckts	Material No	Engineer Number	Item No		Item No		Material No
2	27-60-3022	A-41772-0446						41772-0605
3	27-60-3032	A-41772-0447					417720606	41772-0606
4	27-60-3042	A-41772-0448						41772-0607
5	27-60-3052	A-41772-0449						41772-0608
6	27-60-3062	A-41772-0450	41772-0548		41772-0561			41772-0609
7	27-60-3072	A-41772-0451	41772-0549		41772-0562			41772-0610
8	27-60-3082	A-41772-0452	41772-0550		41772-0563			41772-0611
9	27-60-3092	A-41772-0453	41772-0551		41772-0564			41772-0612
10	27-60-3102	A-41772-0454	41772-0552		41772-0565			41772-0613
11	27-60-3112	A-41772-0455	41772-0553		41772-0566			41772-0614
12	27-60-3122	A-41772-0456	41772-0554		41772-0567			41772-0615
13	27-60-3132	A-41772-0457	41772-0555		41772-0568			41772-0616
14	27-60-3142	A-41772-0458	41772-0556		41772-0569			41772-0617
15	27-60-3152	A-41772-0459	41772-0557		41772-0570			41772-0618
16	27-60-3162	A-41772-0460	41772-0558		41772-0571			41772-0619

REV:	<u>ECM INFORMATION:</u>		<u>TITLE:</u>				<u>SHEET No.</u>
N	EC No.:	105925	KK 156 HEADER ASSEMBLY FLAT RIGHT ANGLE SOLID BODY W/O PEGS				- 7 -
	DATE:	8/25/2016					
<u>DOCUMENT NUMBER:</u>	<u>DOC TYPE:</u>	<u>DOC PART:</u>	<u>CREATED / REVISED BY:</u>		<u>CHECKED BY:</u>	<u>APPROVED BY:</u>	
SDA- 41772	PSD	002	BAPPELDORN		MKIPPER	FSMITH	

OPTIONS	Group	41772-0622/0629	Group	41772-0632/0645	Group	41772-0648/0655	Group	41772-0663
	Header No:	41770-0009/0016	Header No:	41770-0003/0016	Header No:	41770-0009/0016	Header No:	41770-0004
	Pin No:	43294-0400	Pin No:	43294-0283	Pin No:	43294-0301	Pin No:	43294-0302
	Plating:	197 – TIN	Plating:	197 – TIN	Plating:	197 – TIN	Plating:	154 – TIN
	Pin Length L	23.37 / .920	Pin Length L	20.32 / .800	Pin Length L	20.83 / .820	Pin Length L	20.83 / .820
	Mating M	13.21 / .520	Mating M	13.08 / .515	Mating M	13.06 / .514	Mating M	10.13 / .399
	Gold Loc G	N/A	Gold Loc G	N/A	Gold Loc G	N/A	Gold Loc G	N/A
	Height Y	4.95 / .195	Height Y	1.98 / .078	Height Y	2.54 / .100	Height Y	4.95 / .195
	PC Tail P	3.18 / .125	PC Tail P	3.18 / .125	PC Tail P	3.18 / .125	PC Tail P	3.71 / .146
	Tin Loc T	OVERALL	Tin Loc T	OVERALL	Tin Loc T	OVERALL	Tin Loc T	OVERALL
	Voided Ckts	5, 8, 9	Voided Ckts	3	Voided Ckts	5, 8, 9	Voided Ckts	NONE
	Pack Per	417720000-PK	Pack Per	417720000-PK	Pack Per	417720000-PK	Pack Per	417720000-PK
	Ckts	Material No	Engineer Number	Material No	Engineer Number	Material No	Engineer Number	Material No
2								
3				41772-0632				
4				41772-0633			41772-0663	41772-0663
5				41772-0634				
6				41772-0635				
7				41772-0636	41772-0636			
8				41772-0637				
9		41772-0622		41772-0638		41772-0648		
10		41772-0623		41772-0639		41772-0649		
11		41772-0624		41772-0640		41772-0650		
12		41772-0625		41772-0641		41772-0651		
13		41772-0626		41772-0642		41772-0652		
14	41772-0627	41772-0627		41772-0643	41772-0653	41772-0653		
15		41772-0628		41772-0644		41772-0654		
16		41772-0629		41772-0645		41772-0655		

REV:	<u>ECM INFORMATION:</u>		<u>TITLE:</u>				<u>SHEET No.</u>
N	EC No.:	105925	KK 156 HEADER ASSEMBLY FLAT RIGHT ANGLE SOLID BODY W/O PEGS				- 8 -
	DATE:	8/25/2016					
<u>DOCUMENT NUMBER:</u>	<u>DOC TYPE:</u>	<u>DOC PART:</u>	<u>CREATED / REVISED BY:</u>		<u>CHECKED BY:</u>	<u>APPROVED BY:</u>	
SDA- 41772	PSD	002	BAPPELDORN		MKIPPER	FSMITH	

OPTIONS	Group	41772-0682	Group		Group		Group	
	Header No:	41770-0006	Header No:		Header No:		Header No:	
	Pin No:	43294-0103	Pin No:		Pin No:		Pin No:	
	Plating:	197 – TIN	Plating:		Plating:		Plating:	
	Pin Length L	15.49 / .610	Pin Length L		Pin Length L		Pin Length L	
	Mating M	6.86 / .270	Mating M		Mating M		Mating M	
	Gold Loc G	N/A	Gold Loc G		Gold Loc G		Gold Loc G	
	Height Y	2.92 / .115	Height Y		Height Y		Height Y	
	PC Tail P	3.68 / .145	PC Tail P		PC Tail P		PC Tail P	
	Tin Loc T	OVERALL	Tin Loc T		Tin Loc T		Tin Loc T	
	Voided Ckts	NONE	Voided Ckts		Voided Ckts		Voided Ckts	
	Pack Per	417720000-PK	Pack Per		Pack Per		Pack Per	
	Ckts	Material No	Engineer Number	Material No	Engineer Number	Material No	Engineer Number	Material No
2								
3								
4								
5								
6	41772-0682	41772-0682						
7								
8								
9								
10								
11								
12								
13								
14								
15								
16								
17								
18								

REV:	<u>ECM INFORMATION:</u>		<u>TITLE:</u>	KK 156 HEADER ASSEMBLY FLAT RIGHT ANGLE SOLID BODY W/O PEGS		<u>SHEET No.</u>
N	EC No.:	105925				- 9 -
	DATE:	8/25/2016				
<u>DOCUMENT NUMBER:</u>	<u>DOC TYPE:</u>	<u>DOC PART:</u>	<u>CREATED / REVISED BY:</u>	<u>CHECKED BY:</u>	<u>APPROVED BY:</u>	
SDA- 41772	PSD	002	BAPPELDORN	MKIPPER	FSMITH	