

INSTALLATION INSTRUCTIONS HORIZONTAL CABLE MANAGER



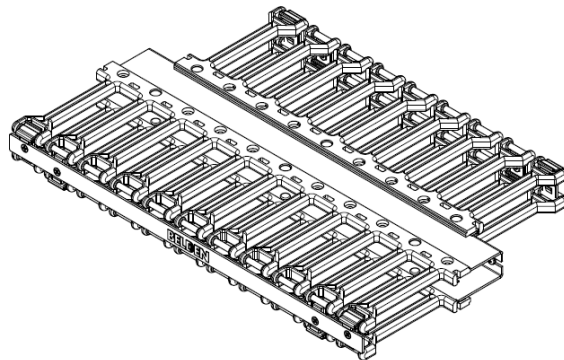
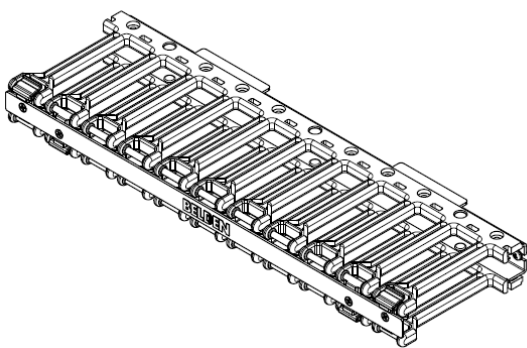
For your safety, upon receipt of your Horizontal Cable Manager, read this instruction sheet carefully before starting any installation and assembly.



CAUTION:

This Horizontal Cable Manager must be anchored securely to the Enclosure EIA rails. Anchoring should be performed by qualified personnel.

Instructions for the following Horizontal Cable Managers:



BHH191
BHH192
BHH193
BHH194
BHH231
BHH232
BHH233
BHH234

BHH191UFR
BHH192UFR
BHH193UFR
BHH194UFR

BELDEN
SENDING ALL THE RIGHT SIGNALS

INSTALLATION INSTRUCTIONS HORIZONTAL CABLE MANAGER

This page intentionally left blank

INSTALLATION INSTRUCTIONS HORIZONTAL CABLE MANAGER

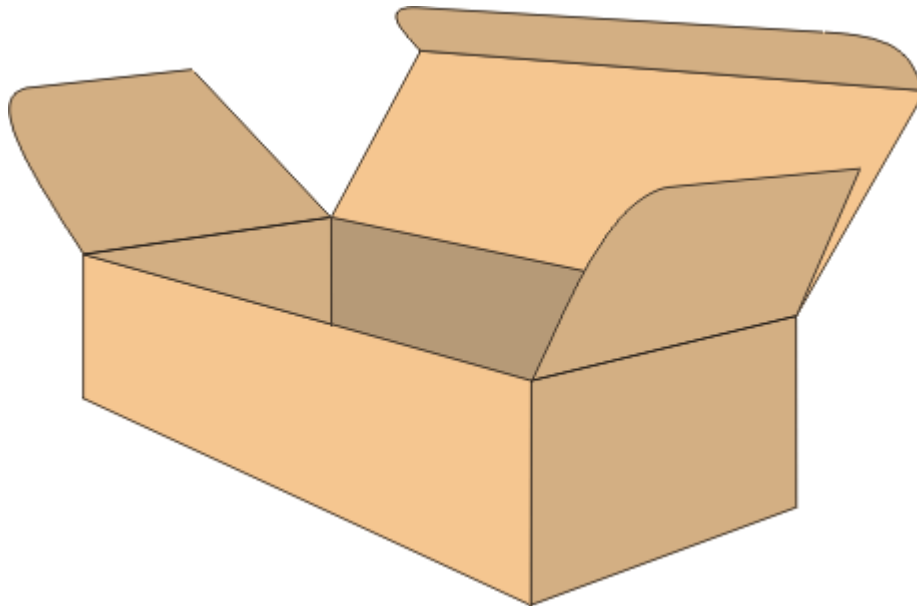


Before Un-packaging your Horizontal Cable Manager read below.

The Horizontal Cable Manager is shipped assembled and boxed in one package. An installation hardware package is provided in order to install the unit.

Please make sure upon receipt of delivery that your packaging is in tact. Inspect the packaging for any noticeable damages. If there is damage, please notify the freight carrier immediately to file a damaged freight claim.

Once you have inspected the packaging for any damage; carefully remove the wrapping check all items received against the Components Parts List and the Installation Hardware List for your specified rack Part Number.



Before you begin, compare the packaged components received with the components list below to make sure all parts shown are included.

INSTALLATION INSTRUCTIONS HORIZONTAL CABLE MANAGER

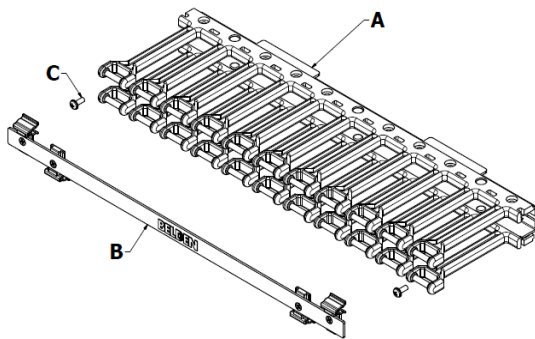
Components Parts List

BHH1 & BHH2 MANAGERS

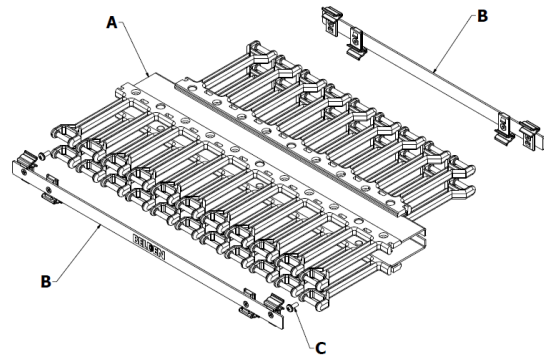
| Item Reference | Description | Qty |
|----------------|-------------------------|-----------|
| A | Finger Bracket Assembly | 1 |
| B | Door | 1 |
| C | Installation Hardware | See Below |

BHH1XXUFR MANAGERS

| Item Reference | Description | Qty |
|----------------|-------------------------|-----------|
| A | Finger Bracket Assembly | 1 |
| B | Door | 2 |
| C | Installation Hardware | See Below |



BHH1 & BHH2 STYLE



BHH1XXUFR STYLE

Installation Hardware List

BHH191/BHH231/BHH191UFR MANAGERS

| Part | Qty | Description | EIA Rail Application |
|-------|-----|-----------------------------------|----------------------|
| 91265 | 2 | 10-32 x 1/2" Self-Threading Screw | 10-32 Tapped |
| 91266 | 2 | 12-24 x 1/2" Self-Threading Screw | 12-24 Tapped |
| 91380 | 2 | 10-32 x 5/8 Machine Screw | Square Hole |
| 94148 | 2 | 12-24 SQ Hole Cage Nut | |
| 93125 | 2 | 12-24 Lock Washer | |

ALL OTHER BHH MANAGERS

| Part | Qty | Description | EIA Rail Application |
|-------|-----|-----------------------------------|----------------------|
| 91265 | 4 | 10-32 x 1/2" Self-Threading Screw | 10-32 Tapped |
| 91266 | 4 | 12-24 x 1/2" Self-Threading Screw | 12-24 Tapped |
| 91380 | 4 | 10-32 x 5/8 Machine Screw | Square Hole |
| 94148 | 4 | 12-24 SQ Hole Cage Nut | |
| 93125 | 4 | 12-24 Lock Washer | |

INSTALLATION INSTRUCTIONS HORIZONTAL CABLE MANAGER BHH Installation Instructions

You are now ready to install your Horizontal Cable Manager.

The following tools are required to complete this assembly:

- Phillips Screwdriver

NOTE: The Horizontal Cable Manager attaches to the EIA rails.

The following Installation steps are to be followed when installing BHH1XXUFR Horizontal Cable Manager.

Step 1 - Select the RU location in which the manager is to be mounted and loosely attach one side of the rack using the correct hardware for the EIA rail mounting configurations. Loosely attach the second side of the rack to the opposing EIA rail making sure that hole selection is symmetric on both rails (see Figure 1). Tighten all previously installed hardware.

NOTE: You have now assembled the Horizontal Cable Manager to your rack.

You can now install your cable.

Step 2 – Once cable installation is complete, install Cable Manager Door (see Figure 1).

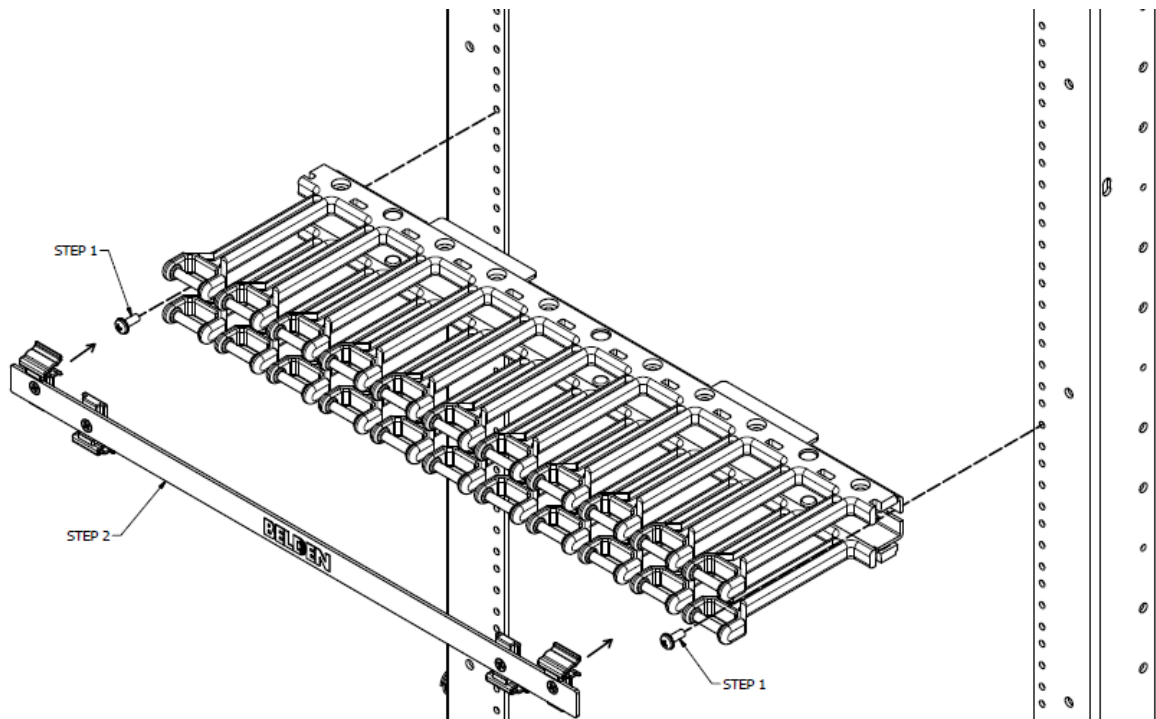


Figure 1