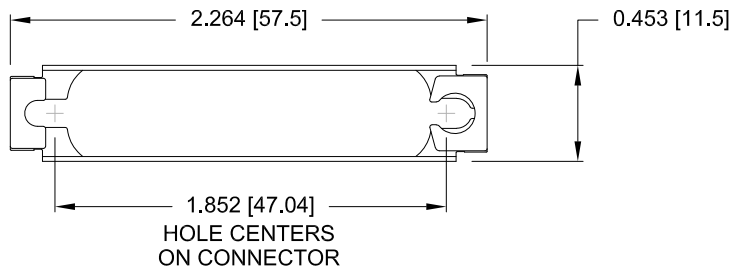


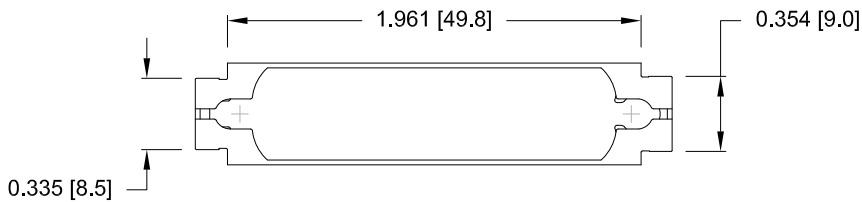
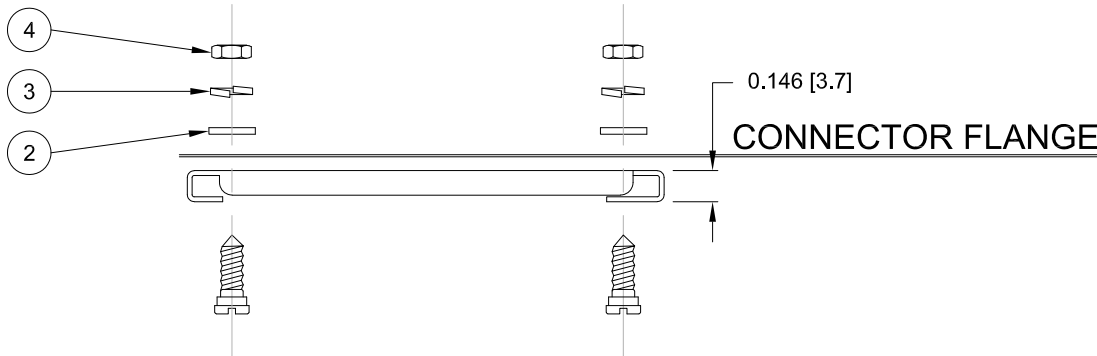
MATERIALS AND FINISH:

SLIDE LOCK BAR: STAINLESS STEEL  
 MOUNTING SCREW: STEEL, NICKEL PLATED  
 FLAT WASHER: STEEL, NICKEL PLATED  
 LOCK WASHER: STEEL, NICKEL PLATED  
 4-40 NUT: STEEL, NICKEL PLATED



KIT INCLUDES:

- (1X) SLIDE LOCK BAR
- (2X) #4-40 MOUNTING SCREW
- (2X) FLAT WASHERS
- (2X) LOCK WASHERS
- (2X) #4-40 NUTS



DIMENSIONS(inch)	
ITEM NO.	THICKNESS
2	0.031
3	0.031
4	0.079

RoHS COMPLIANT

UNITS = inch [mm]

DO NOT SCALE FROM DRAWING



THESE DRAWINGS AND SPECIFICATIONS ARE THE PROPERTY OF NorComp AND SHALL NOT BE REPRODUCED, COPIED OR USED AS THE BASIS FOR THE MANUFACTURE OR SALE OF APPARATUS WITHOUT WRITTEN PERMISSION.

DRAWN:  
**W. ROBBINS**  
 DATE:  
 12/5/2005

**NorComp**

SCALE: NTS	SHEET 1	OF 1	REV 5
DWG NO.		160-025-004R031	