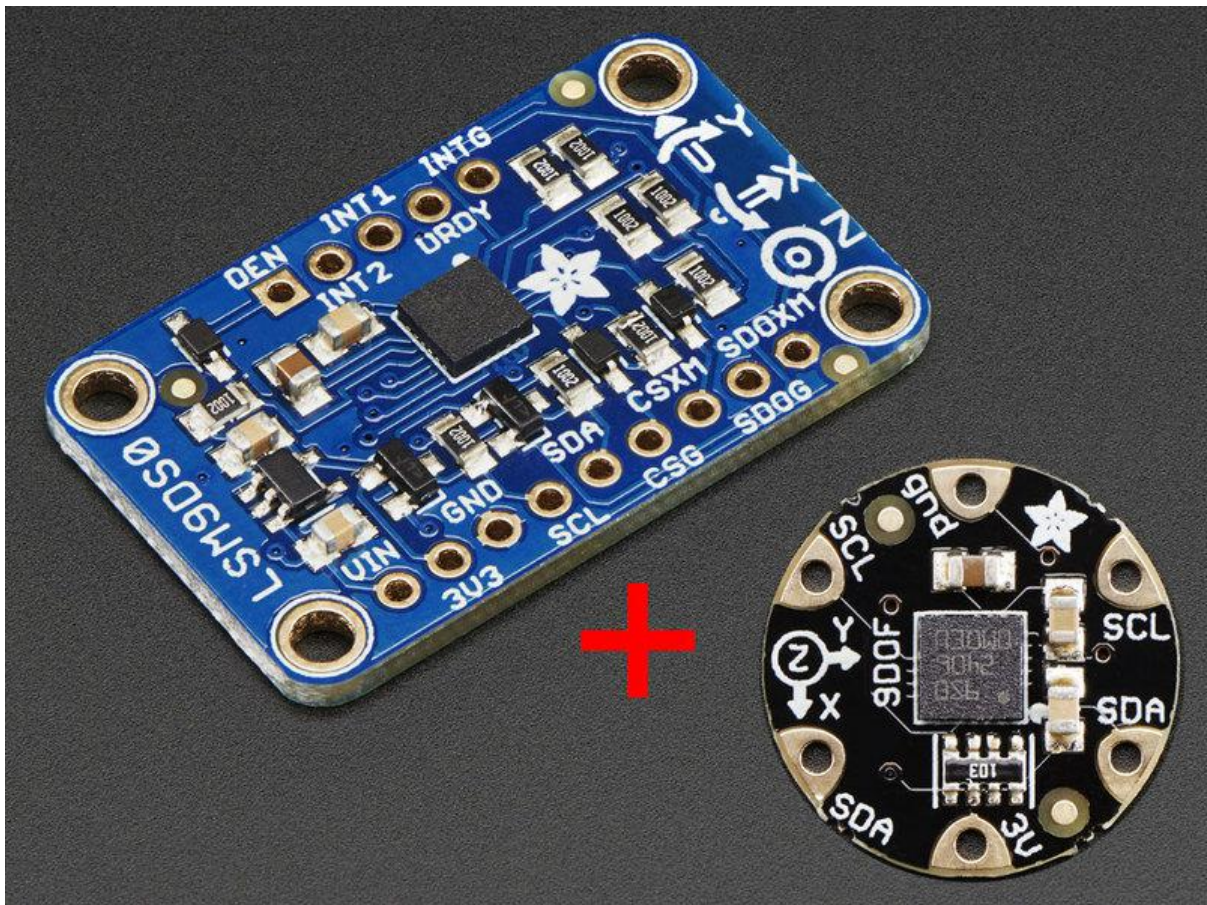




Adafruit LSM9DS0 Accelerometer + Gyro + Magnetometer 9-DOF Breakouts

Created by lady ada



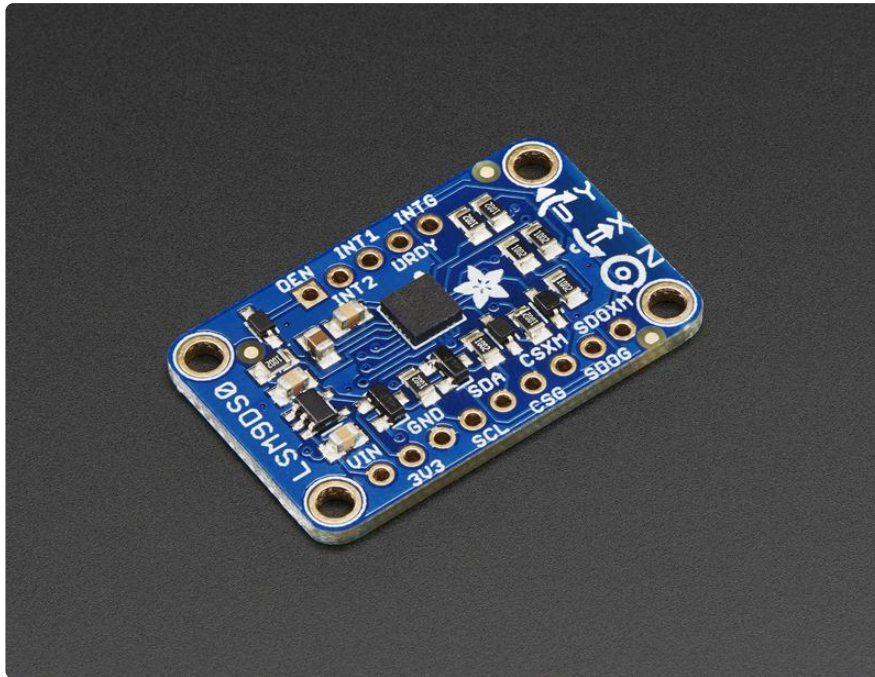
<https://learn.adafruit.com/adafruit-lsm9ds0-accelerometer-gyro-magnetometer-9-dof-breakouts>

Last updated on 2021-11-15 06:16:16 PM EST

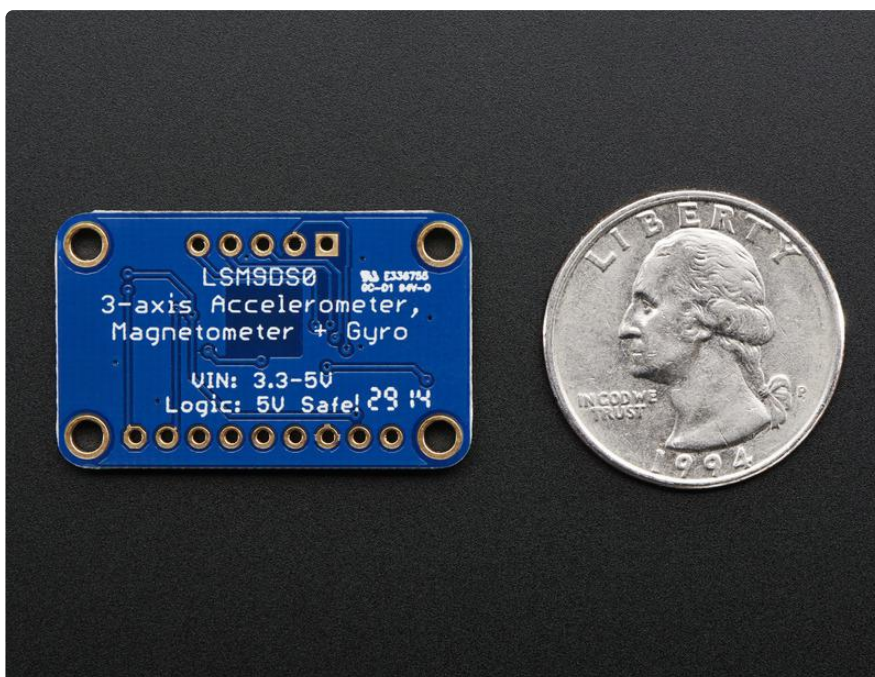
Table of Contents

Overview	3
Pinouts	5
• Flora Sewable Version Pinouts	6
• Power Pins	6
• Data pins	6
• Breadboard-Friendly Breakout Version	7
• Power Pins	7
• I2C Pins	7
• SPI Pins	8
• Interrupt & Misc Pins	8
Assembly	8
• Prepare the header strip:	9
• Add the breakout board:	9
• And Solder!	10
Arduino Code	11
• Wiring for Flora	11
• Wiring for Arduino	11
• Download Arduino Libraries	12
• Load Demo Sketch	13
• Library Reference	16
• Begin!	17
• Set Ranges	17
• Read data	17
Python & CircuitPython	18
• CircuitPython Microcontroller Wiring	18
• Python Computer Wiring	19
• CircuitPython Installation of LSM9DS0 Library	20
• Python Installation of LSM9DS0 Library	21
• CircuitPython & Python Usage	21
• Full Example Code	23
Python Docs	24
FAQs	24
Downloads	24
• Datasheets	24
• Breakout Board Schematic	25
• Breakout Board PCB Print	25
• Flora Breakout Schematics	26
• Flora Breakout PCB Print	26

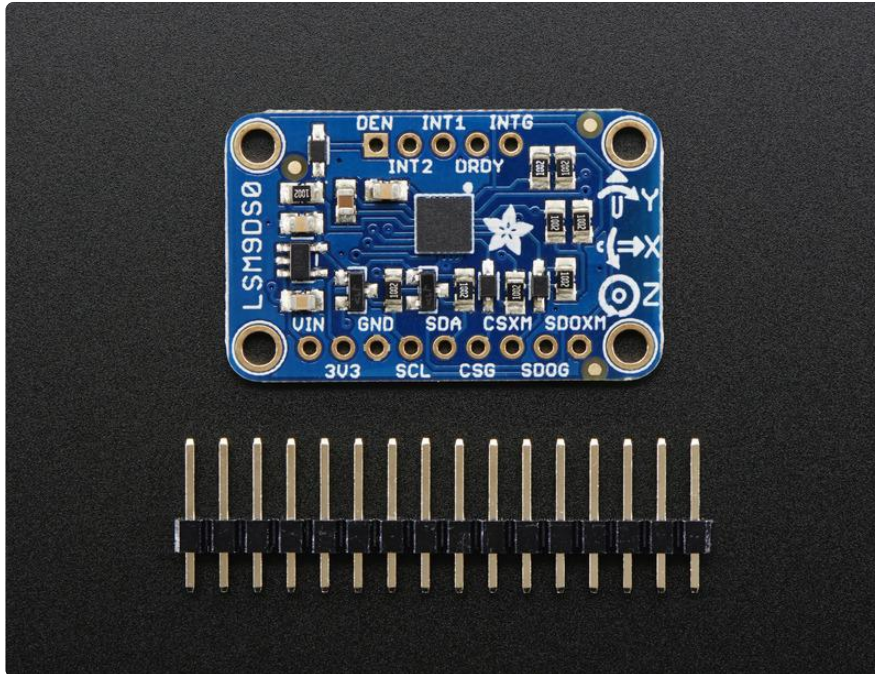
Overview



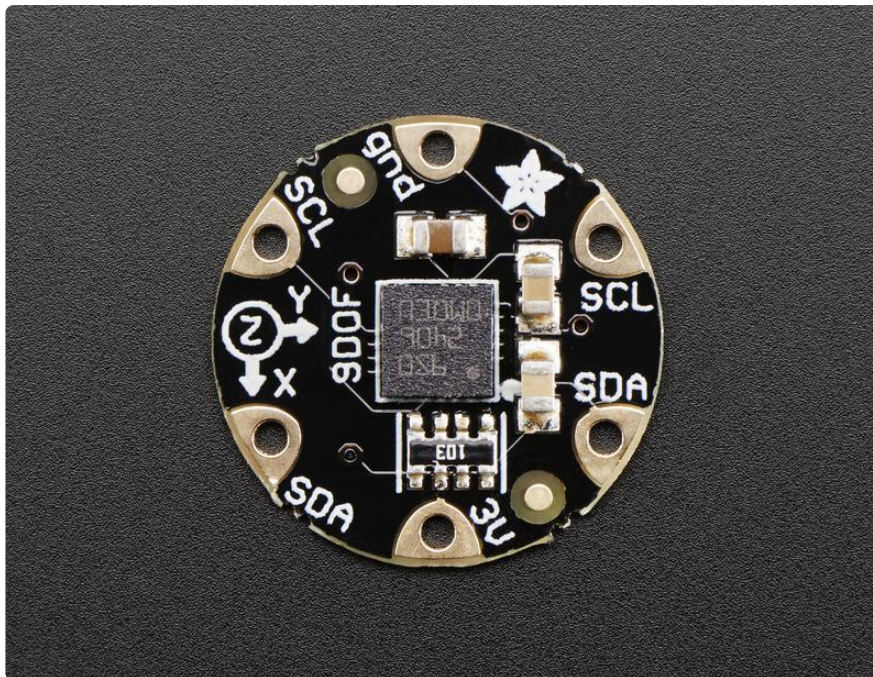
Add motion, direction and orientation sensing to your Arduino project with this all-in-one 9-DOF sensor. Inside the chip are three sensors, one is a classic 3-axis accelerometer, which can tell you which direction is down towards the Earth (by measuring gravity) or how fast the board is accelerating in 3D space. The other is a 3-axis magnetometer that can sense where the strongest magnetic force is coming from, generally used to detect magnetic north. The third is a 3-axis gyroscope that can measure spin and twist. By combining this data you can REALLY orient yourself.



When we saw the new LSM9DS0 from ST micro we thought - wow this could really make for a great breakout, at a very nice price! Design your own activity or motion tracker with all the data... We spun up a breakout board and Flora breakout that has all the extra circuitry you'll want, depending on whether you are using it with the Adafruit Flora or an Arduino (or other microcontroller)



The breakout board version of this sensor has both I2C and SPI interfaces. Attaching it to the Arduino is simple, power Vin and GND with 3-5VDC, and wire up I2C data on SCL and SDA, and you're ready to go! More advanced users can use SPI, our library has support for both. The breakout comes fully assembled and tested, with some extra header so you can use it on a breadboard. Four mounting holes make for a secure connection, and we put the popular power+data pins on one side, and the interrupt pins on the other side for a nice & compact breakout.

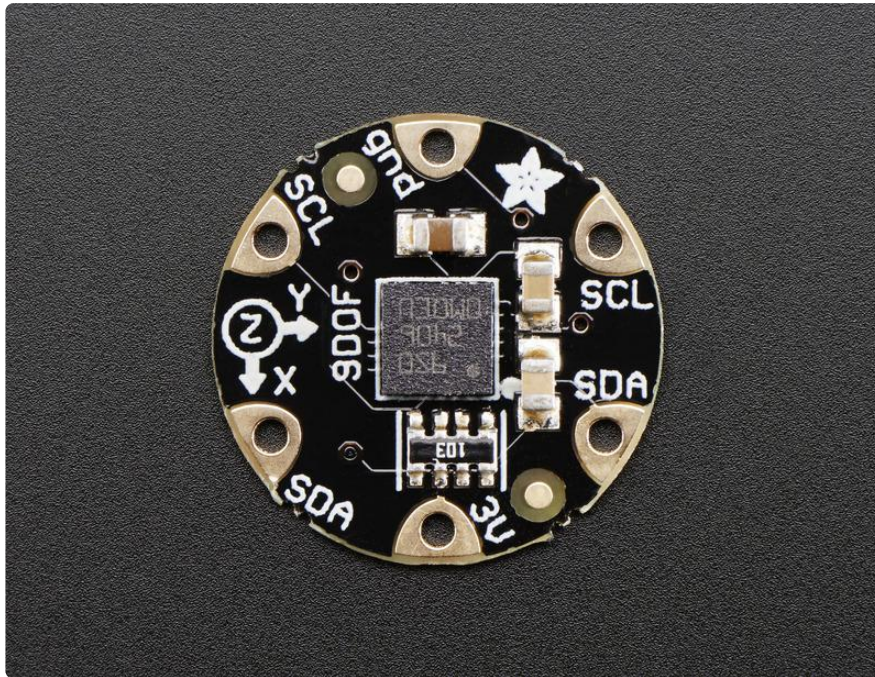


The Flora version has just I2C interface for a super-small design. Attaching it to the FLORA is simple: line up the sensor so its adjacent to the SDA/SCL pins and sew conductive thread from the 3V, SDA, SCL and GND pins. They line up perfectly so you will not have any crossed lines. You can only connect one of these sensors to your FLORA, but you can connect other I2C sensors/outputs by using the set of SCL/SDA pins on the opposite side.

Pinouts

We have two versions of this sensor, a compact and sewable Flora sensor and also a more extensive breadboard-friendly breakout. They use the same chip sensor, of course, and the same firmware code. However there's some differences about the pinouts!

Flora Sewable Version Pinouts



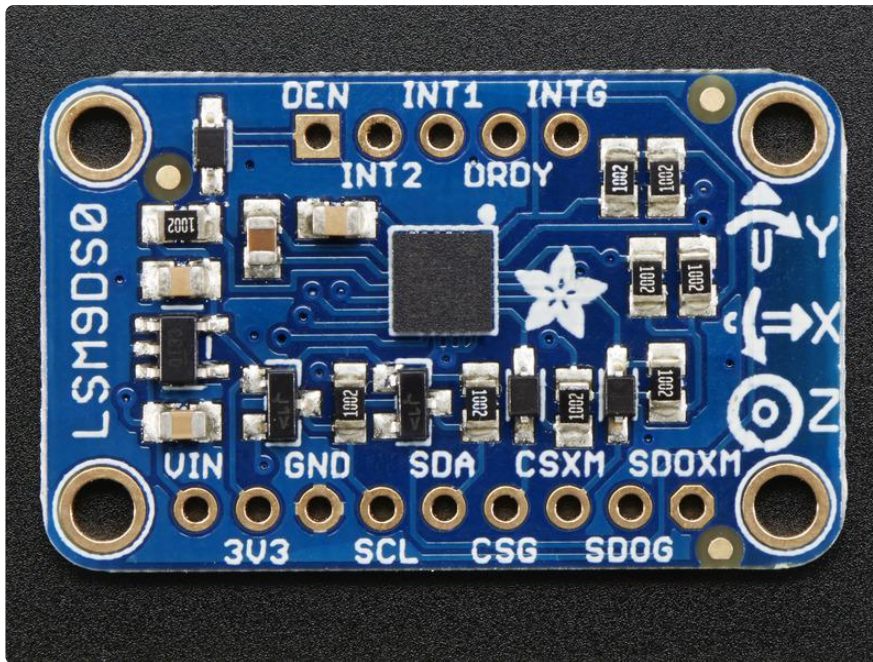
Power Pins

There's two power pins, 3V and GND. The 3V has to be regulated 'cleanly' from the Flora. There's no on-board polarity or regulation! The GND pin is the ground for both power and signal.

Data pins

Flora uses a chainable I2C data path for sensors, all the sensors share the same SCL and SDA pins. These pins have 10K pullups to 3V but they do not have level shifting so they are only for use with 3V logic boards such as Flora!

Breadboard-Friendly Breakout Version



Power Pins

The sensor on the breakout requires 3V power. Since many customers have 5V microcontrollers like Arduino, we tossed a 3.3V regulator on the board. Its ultra-low dropout so you can power it from 3.3V-5V just fine.

- Vin - this is the power pin. Since the chip uses 3 VDC, we have included a voltage regulator on board that will take 3-5VDC and safely convert it down. To power the board, give it the same power as the logic level of your microcontroller - e.g. for a 5V micro like Arduino, use 5V
- 3V3 - this is the 3.3V output from the voltage regulator, you can grab up to 100mA from this if you like
- GND - common ground for power and logic

I2C Pins

- SCL - I2C clock pin, connect to your microcontrollers I2C clock line. This pin is level shifted so you can use 3-5V logic, and there's a 10K pullup on this pin.
- SDA - I2C data pin, connect to your microcontrollers I2C data line. This pin is level shifted so you can use 3-5V logic, and there's a 10K pullup on this pin.

SPI Pins

If you're interested in using SPI to interface with the LSM9DS0, you can!

- SCL - this is also the SPI clock pin, it's level shifted so you can use 3-5V logic input
- SDA - this is also the SPI MOSI pin, it's level shifted so you can use 3-5V logic input
- CSG - this is the Gyro subchip Chip Select, it's level shifted so you can use 3-5V logic input
- CSXM - this is the Accelerometer & Magnetometer subchip Select, it's level shifted so you can use 3-5V logic input
- SDOG - this is the Gyro subchip MISO pin - it's 3V logic out, but can be read properly by 5V logic chips.
- SDOXM - this is the Accelerometer & Magnetometer subchip MISO pin - it's 3V logic out, but can be read properly by 5V logic chips.

Interrupt & Misc Pins

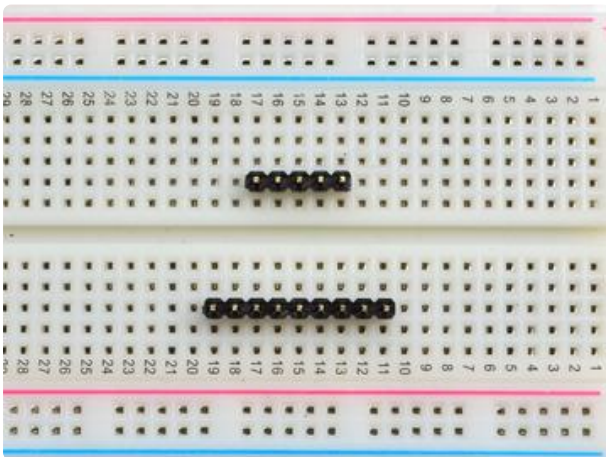
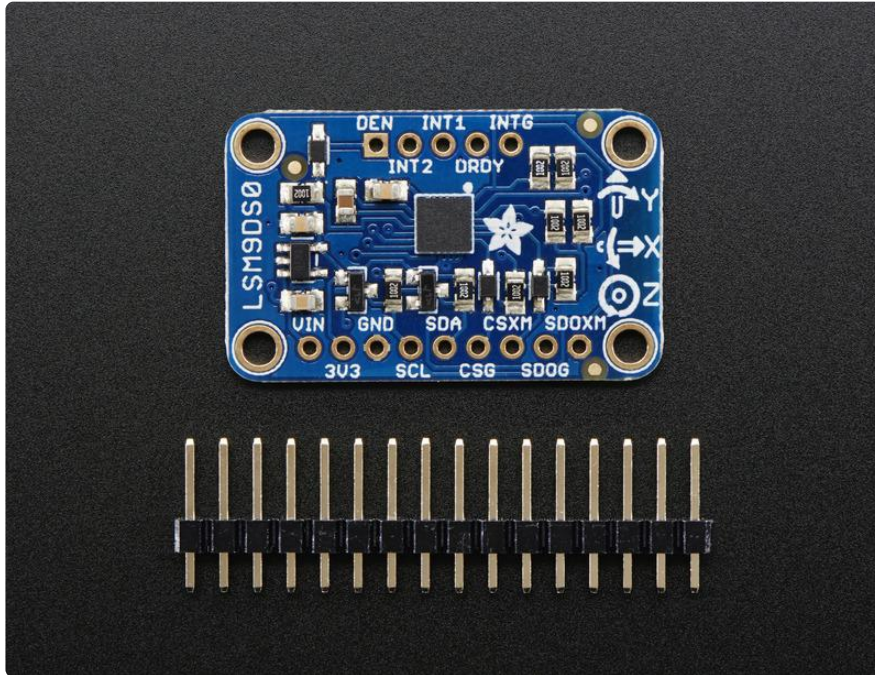
Since there's so many sensors in the LSM9DS0, there's quite a number of interrupt outputs.

- DEN - this is a pin that can be used to dynamically enable/disable the Gyro. There's actually no documentation on it but it seems you can try it out by enabling the trigger with `write8(GYROTYPE, 0x21, 0xC0);` which will let you use DEN to turn on/off gyro output (level trigger). This pin is level shifted.
- INT1 & INT2 - These are interrupts from the accelerometer/magnetometer subchip. We don't have specific library support for these so check the datasheet for what you can make these indicate. They are 3V-logic outputs
- DRDY - this is the Gyro subchip data ready output. We don't have specific library support for these so check the datasheet for how you can set the registers to enable this pin. It is a 3V-logic output.
- INTG - This is the interrupt from the Gyro subchip. We don't have specific library support for it so check the datasheet for what you can make it indicate. It is a 3V-logic output.

Assembly

If you have the breadboard version of this sensor, you'll want to solder some header onto the sensor so it can be used in a breadboard. The Flora version does not require

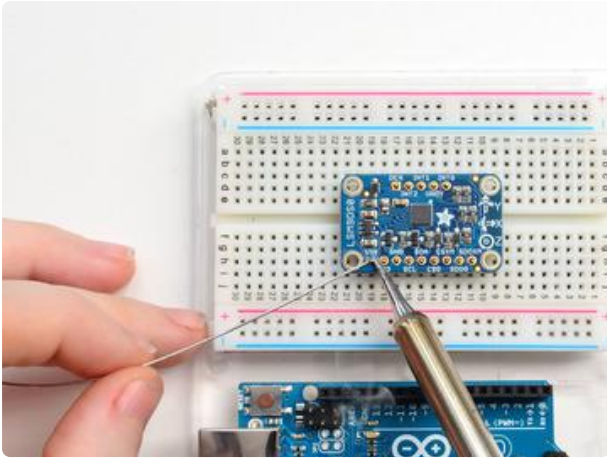
any extra assembly



Prepare the header strip:
Cut the strip to length if necessary. It will be easier to solder if you insert it into a breadboard - long pins down



Add the breakout board:
Place the breakout board over the pins so that the short pins poke through the breakout pads

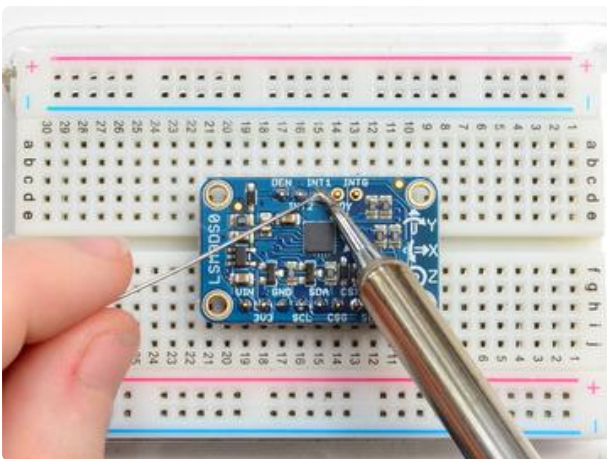
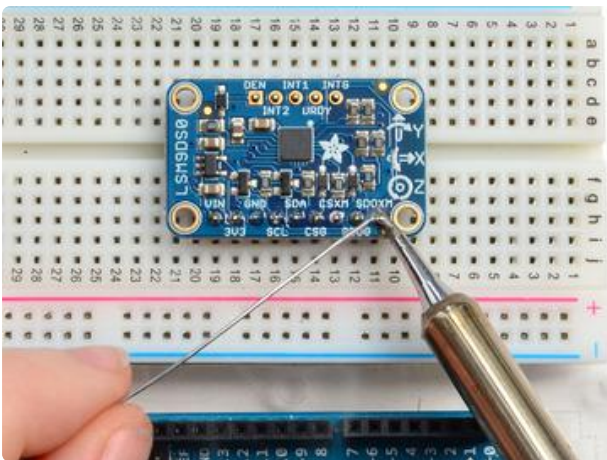
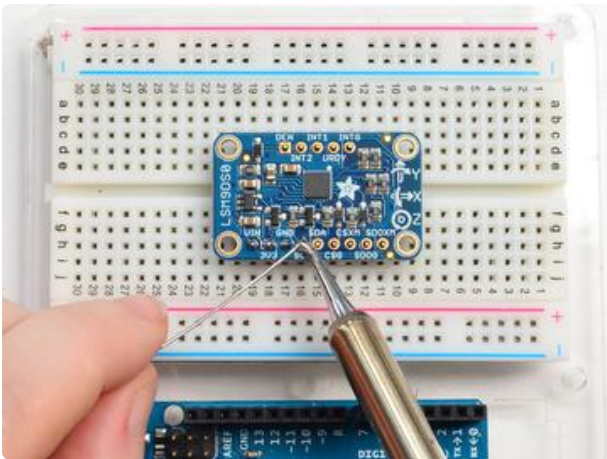


And Solder!

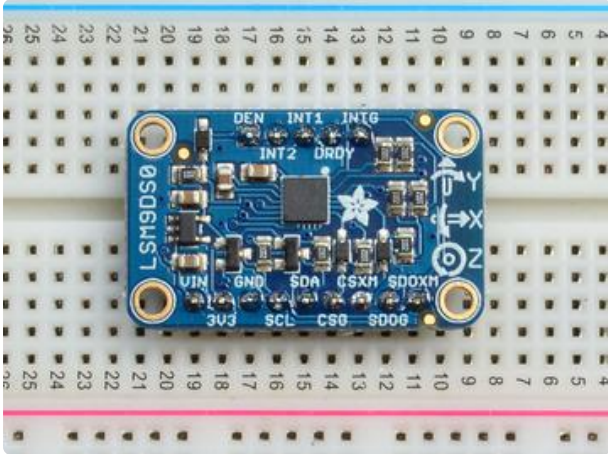
Be sure to solder all pins for reliable electrical contact.

Solder the longer power/data strip first

(For tips on soldering, be sure to check out our [Guide to Excellent Soldering \(https://adafru.it/aTk\)](https://adafru.it/aTk)).



If you plan to use the interrupts and/or you want the board to sit flatter in a breadboard, solder up the other strip!

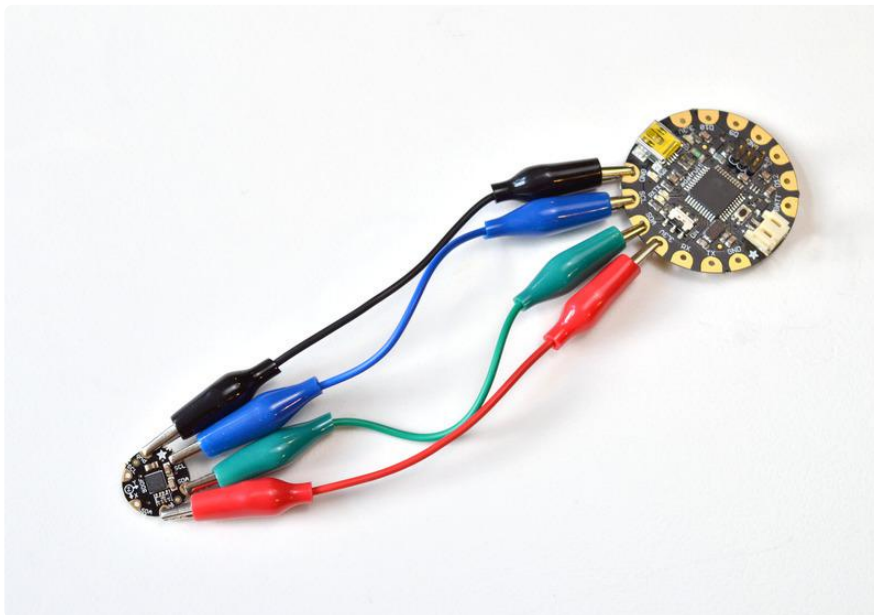


You're done! Check your solder joints visually and continue onto the next steps

Arduino Code

Wiring for Flora

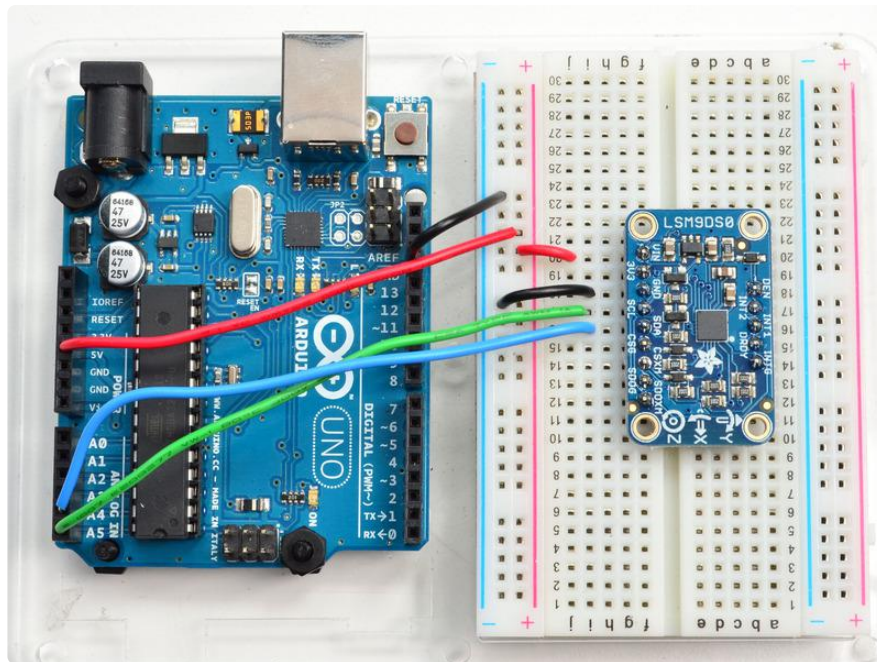
Flora uses conductive thread or alligator clips, connect up the 3V/SDA/SCL/GND pins to the matching pins in the north-west quarter of the Flora board. We suggest alligator clips to test, then sew in with thread once it works!



Wiring for Arduino

You can easily wire this breakout to any microcontroller, we'll be using an Arduino. For another kind of microcontroller, just make sure it has I2C or SPI, then port the code - its pretty simple stuff!

Let's start with just I2C interfacing since it requires the fewest # of wires:

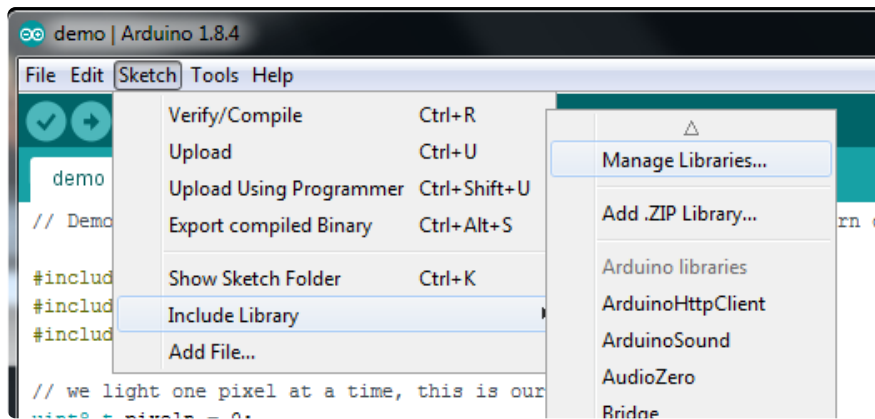


- Connect Vin to the power supply, 3-5V is fine. Use the same voltage that the microcontroller logic is based off of. For most Arduinos, that is 5V
- Connect GND to common power/data ground
- Connect the SCL pin to the I2C clock SCL pin on your Arduino. On an UNO & '328 based Arduino, this is also known as A5, on a Mega it is also known as digital 21 and on a Leonardo/Micro, digital 3
- Connect the SDA pin to the I2C data SDA pin on your Arduino. On an UNO & '328 based Arduino, this is also known as A4, on a Mega it is also known as digital 20 and on a Leonardo/Micro, digital 2

Download Arduino Libraries

To begin reading sensor data, you will need to download the Adafruit LSM9DS0 library and the Adafruit Unified Sensor library from the Arduino library manager.

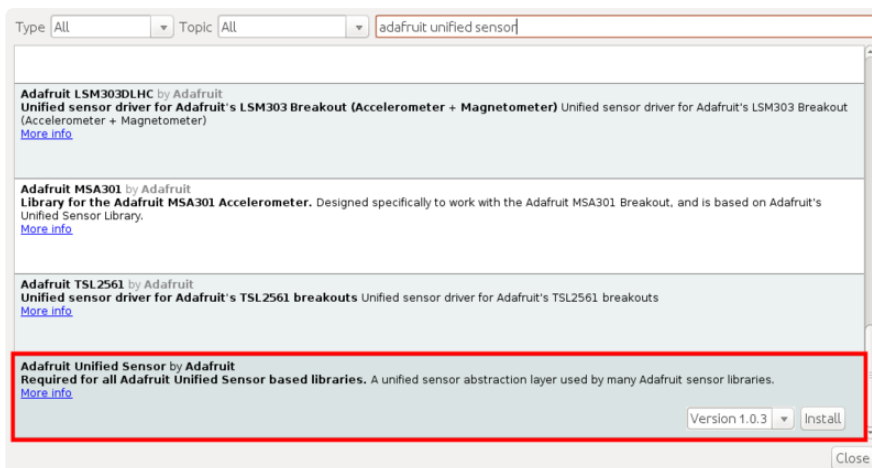
Open up the Arduino library manager:



Search for the Adafruit LSM9DS0 library and install it



Search for the Adafruit Unified Sensor and install it (you may have to scroll down quite far to find it)

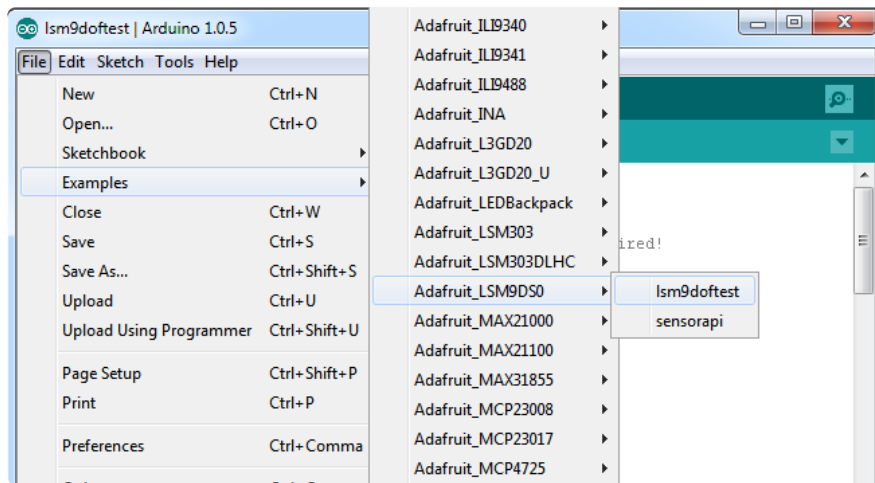


We also have a great tutorial on Arduino library installation at:

<http://learn.adafruit.com/adafruit-all-about-arduino-libraries-install-use> (<https://adafru.it/aYM>)

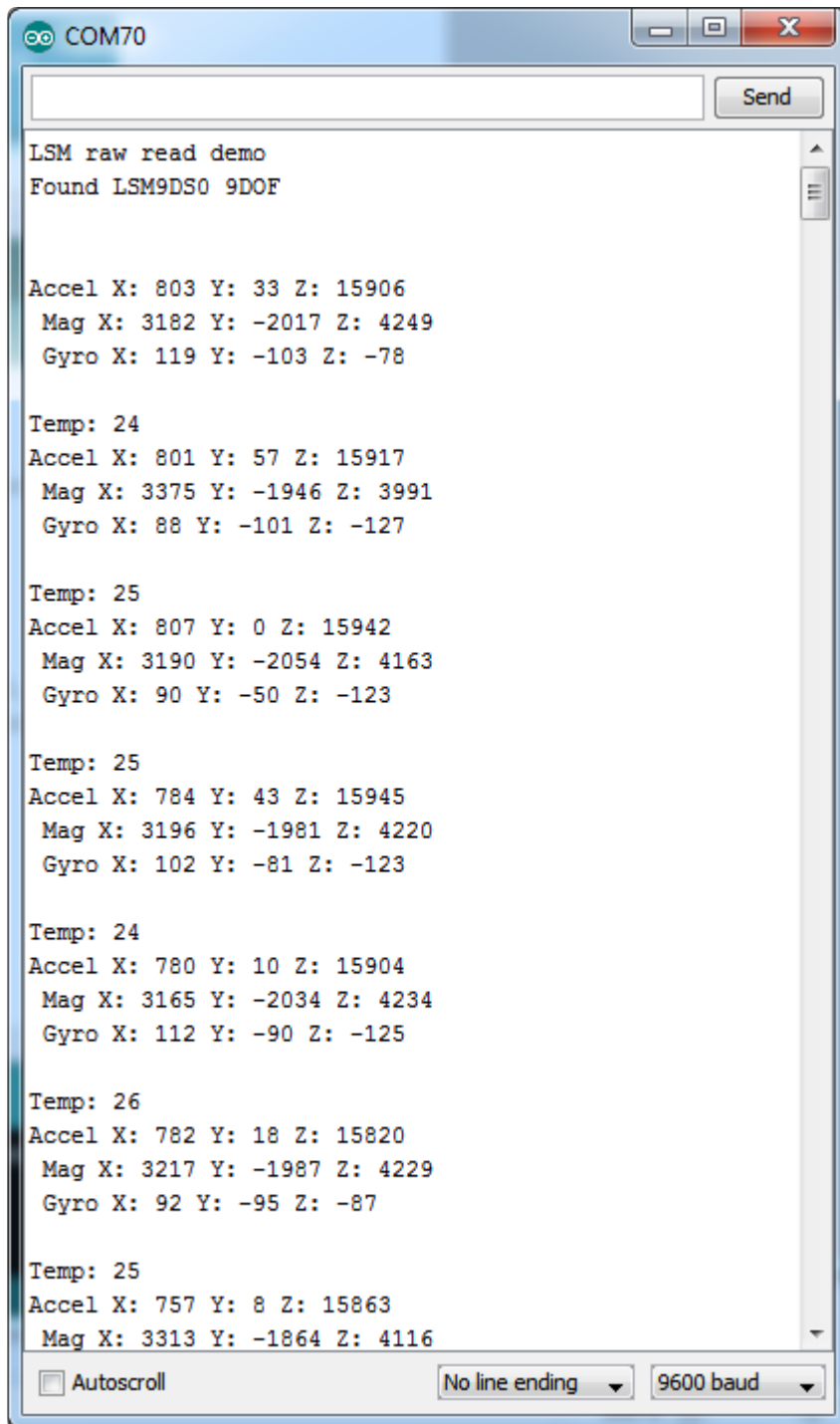
Load Demo Sketch

Now you can open up File->Examples->Adafruit_LSM9DS0->lsm9dofstest and upload to your Arduino wired up to the sensor



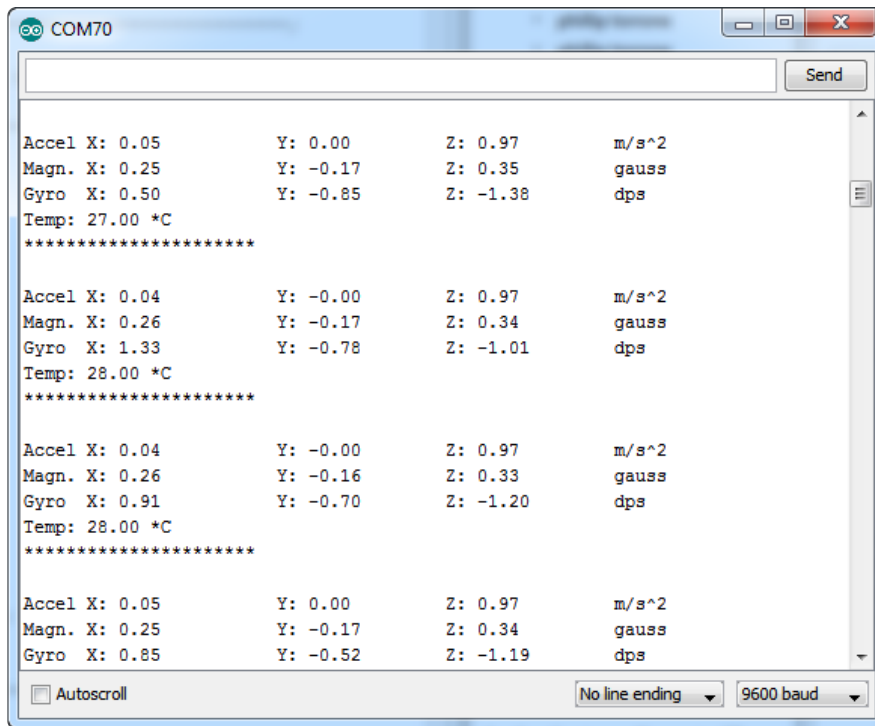
The LSM9DS0 sensor must be wired up to the board for the demo to work!

Then open up the Serial console at 9600 baud to read the raw data output in 'counts'. This is data directly from the sensor, and isn't in any particular units.



This output is not terribly useful for most people - its simpler but does not have adjusted output units. Instead, we suggest the sensorapi demo. Upload that to the Arduino and open up the Serial console again.

This time, you'll get the outputs in m/s*s, gauss an degrees-per-second



We suggest using this Adafruit_Sensor interface version, since it will let you swap sensors without having to worry about units compatibility. Try twisting and moving the board around to see the sensors change value.

Library Reference

The library we have is simple and easy to use

You can create the Adafruit_LSM9DS0 object with:

```
Adafruit_LSM9DS0 lsm = Adafruit_LSM9DS0(); // i2c sensor
```

I2C does not have pins, as they are fixed in hardware.

If you're using "hardware" SPI, you will have to wire up the pins as follows:

- SCL -> SPI CLK
- SDA -> SPI MOSI
- SDO_XM & SDO_G -> SPI MISO (both together)

[You can determine the hardware SPI pins for your Arduino here \(https://adafru.it/d5h\)](https://adafru.it/d5h)

Then pick two pins for the CS lines

```
Adafruit_LSM9DS0 lsm = Adafruit_LSM9DS0(LSM9DS0_XM_CS, LSM9DS0_GYRO_CS);
```


If you don't want to use the hardware SPI, you can also try the soft SPI capability, which is bitbanged. You can basically use any pins you like!

```
Adafruit_LSM9DS0 lsm = Adafruit_LSM9DS0(LSM9DS0_SCLK, LSM9DS0_MISO, LSM9DS0_MOSI,
LSM9DS0_XM_CS, LSM9DS0_GYRO_CS);
```

Begin!

To initialize the sensor, call `lsm.begin()` which will check the sensor can be found. It returns true/false depending on these checks. We suggest you wrap `begin()` in a statement that will check if the sensor was located:

```
if(!lsm.begin())
{
  /* There was a problem detecting the LSM9DS0 ... check your connections */
  Serial.print(F("Ooops, no LSM9DS0 detected ... Check your wiring!"));
  while(1);
}
```

Set Ranges

These chips have tons of registers, we basically provide interface code for the most useful stuff, such as setting the range. Each subsensor has it's own range. Higher ranges have less precision but can measure larger movements!

Set up the ranges with the setup functions:

```
// 1.) Set the accelerometer range
lsm.setupAccel(lsm.LSM9DS0_ACCEL_RANGE_2G);
//lsm.setupAccel(lsm.LSM9DS0_ACCEL_RANGE_4G);
//lsm.setupAccel(lsm.LSM9DS0_ACCEL_RANGE_6G);
//lsm.setupAccel(lsm.LSM9DS0_ACCEL_RANGE_8G);
//lsm.setupAccel(lsm.LSM9DS0_ACCEL_RANGE_16G);

// 2.) Set the magnetometer sensitivity
lsm.setupMag(lsm.LSM9DS0_MAGGAIN_2GAUSS);
//lsm.setupMag(lsm.LSM9DS0_MAGGAIN_4GAUSS);
//lsm.setupMag(lsm.LSM9DS0_MAGGAIN_8GAUSS);
//lsm.setupMag(lsm.LSM9DS0_MAGGAIN_12GAUSS);

// 3.) Setup the gyroscope
lsm.setupGyro(lsm.LSM9DS0_GYROSCALE_245DPS);
//lsm.setupGyro(lsm.LSM9DS0_GYROSCALE_500DPS);
//lsm.setupGyro(lsm.LSM9DS0_GYROSCALE_2000DPS);
```

Choose whichever range you like, after you `begin()` the sensor!

Read data

Read data using the `Adafruit_Sensor` API by first creating four events, one for each sub-sensor:

```
sensors_event_t accel, mag, gyro, temp;
```

Then pass these into the `getEvent` function

```
lsm.getEvent(&accel, &mag, &gyro, &temp);
```

The data is snapshotted at once, so you can read and manage the data later.

For the Accelerometer event you can read `accel.acceleration.x`, `accel.acceleration.y` or `accel.acceleration.z` which are in meters/second*second.

For the Magnetometer event you can read `mag.magnetic.x`, `mag.magnetic.y` or `mag.magnetic.z` which are in gauss.

For the Gyro event you can read `gyro.gyro.x`, `gyro.gyro.y` or `gyro.gyro.z`, which are in degrees-per-second (dps)

The temperature event data is in `temp.temperature`, in degrees C

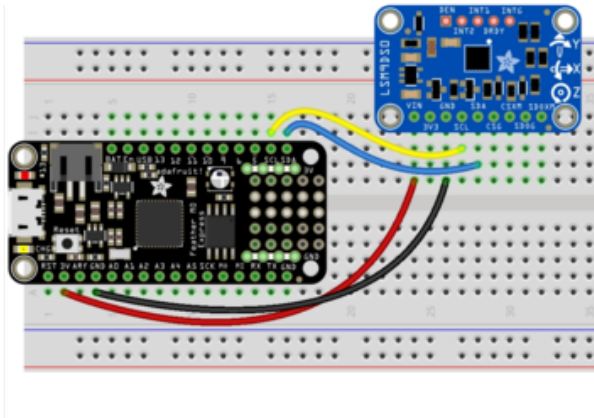
Python & CircuitPython

It's easy to use the LSM9DS0 sensor with Python or CircuitPython, and the [Adafruit CircuitPython LSM9DS0 \(https://adafru.it/C57\)](https://adafru.it/C57) module. This module allows you to easily write Python code that reads the accelerometer, magnetometer, and gyroscope from the sensor.

You can use this sensor with any CircuitPython microcontroller board or with a computer that has GPIO and Python [thanks to Adafruit_Blinka, our CircuitPython-for-Python compatibility library \(https://adafru.it/BSN\)](https://adafru.it/BSN).

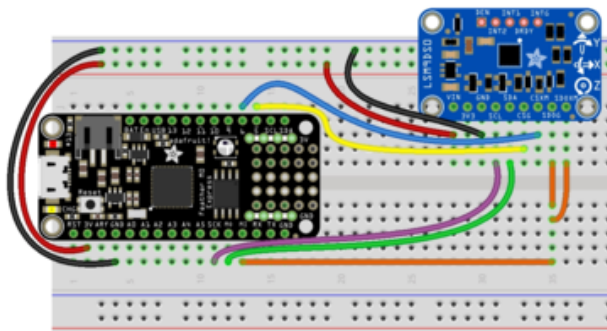
CircuitPython Microcontroller Wiring

First wire up a LSM9DS0 to your board exactly as shown on the previous pages for Arduino. You can use either I2C or SPI wiring, although it's recommended to use I2C for simplicity. Here's an example of wiring a Feather M0 to the sensor with an I2C connection:



- Board 3V to sensor VIN
- Board GND to sensor GND
- Board SCL to sensor SCL
- Board SDA to sensor SDA

And an example of a Feather M0 wired with hardware SPI:

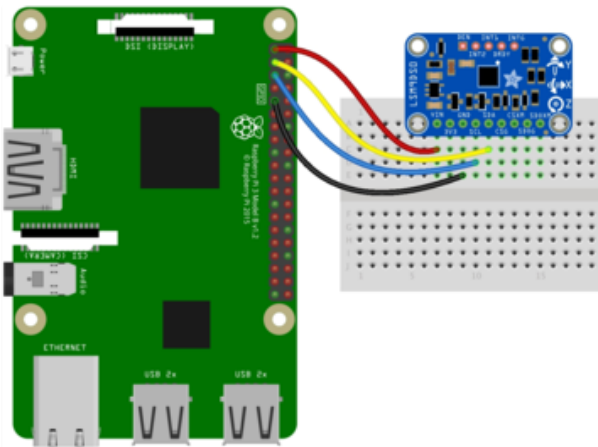


- Board 3V to sensor VIN
- Board GND to sensor GND
- Board SCK to sensor SCL
- Board MOSI to sensor SDA
- Board MISO to sensor SDOG AND sensor SDOXM
- Board D5 to sensor CSG
- Board D6 to sensor CSXM

Python Computer Wiring

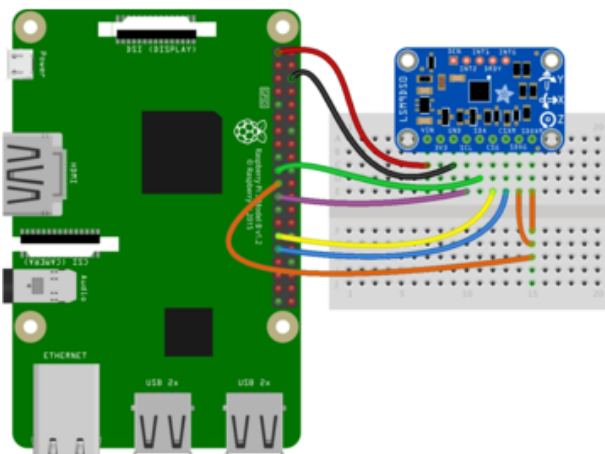
Since there's dozens of Linux computers/boards you can use we will show wiring for Raspberry Pi. For other platforms, [please visit the guide for CircuitPython on Linux to see whether your platform is supported \(https://adafru.it/BSN\)](https://adafru.it/BSN).

Here's the Raspberry Pi wired with I2C:



- Pi 3V3 to sensor VIN
- Pi GND to sensor GND
- Pi SCL to sensor SCL
- Pi SDA to sensor SDA

Here's the Raspberry Pi wired with SPI:



- Pi 3V3 to sensor VIN
- Pi GND to sensor GND
- Pi SCLK to sensor SCL
- Pi MOSI to sensor SDA
- Pi MISO to sensor SDOG AND sensor SDOXM
- Pi GPIO5 to sensor CSG
- Pi GPIO6 to sensor CSXM

CircuitPython Installation of LSM9DS0 Library

You'll need to install the [Adafruit CircuitPython LSM9DS0 \(https://adafru.it/C57\)](https://adafru.it/C57) library on your CircuitPython board.

First make sure you are running the [latest version of Adafruit CircuitPython \(https://adafru.it/Amd\)](https://adafru.it/Amd) for your board.

Next you'll need to install the necessary libraries to use the hardware--carefully follow the steps to find and install these libraries from [Adafruit's CircuitPython library bundle \(https://adafru.it/zdx\)](https://adafru.it/zdx). Our introduction guide has [a great page on how to install the library bundle \(https://adafru.it/ABU\)](https://adafru.it/ABU) for both express and non-express boards.

Remember for non-express boards like the, you'll need to manually install the necessary libraries from the bundle:

- adafruit_lsm9ds0.mpy
- adafruit_bus_device

Before continuing make sure your board's lib folder or root filesystem has the adafruit_lsm9ds0.mpy, and adafruit_bus_device files and folders copied over.

Next [connect to the board's serial REPL \(https://adafru.it/Awz\)](https://adafru.it/Awz) so you are at the CircuitPython >>> prompt.

Python Installation of LSM9DS0 Library

You'll need to install the Adafruit_Blinka library that provides the CircuitPython support in Python. This may also require enabling I2C on your platform and verifying you are running Python 3. [Since each platform is a little different, and Linux changes often, please visit the CircuitPython on Linux guide to get your computer ready \(https://adafru.it/BSN\)](https://adafru.it/BSN)!

Once that's done, from your command line run the following command:

- `sudo pip3 install adafruit-circuitpython-lsm9ds0`

If your default Python is version 3 you may need to run 'pip' instead. Just make sure you aren't trying to use CircuitPython on Python 2.x, it isn't supported!

CircuitPython & Python Usage

To demonstrate the usage of the sensor we'll initialize it and read the accelerometer, magnetometer, and more from the board's Python REPL.

Run the following code to import the necessary modules and initialize the I2C connection with the sensor:

```
import board
import busio
import adafruit_lsm9ds0
i2c = busio.I2C(board.SCL, board.SDA)
sensor = adafruit_lsm9ds0.LSM9DS0_I2C(i2c)
```

If you're connected using SPI, run the following code to initialise the SPI connection with the sensor:

```
import board
import busio
from digitalio import DigitalInOut, Direction
spi = busio.SPI(board.SCK, board.MOSI, board.MISO)
gcs = DigitalInOut(board.D5)
xmcs = DigitalInOut(board.D6)
sensor = adafruit_lsm9ds0.LSM9DS0_SPI(spi, xmcs, gcs)
```

Now you're ready to read values from the sensor using any of these properties:

- `accelerometer` - A 3-tuple of X, Y, Z axis accelerometer values in meters/second squared.
- `magnetometer` - A 3-tuple of X, Y, Z axis magnetometer values in gauss.
- `gyroscope` - A 3-tuple of X, Y, Z axis gyroscope values in degrees/second.
- `temperature` - The sensor temperature in degrees Celsius.

```
print('Acceleration (m/s^2): ({0:0.3f},{1:0.3f},
{2:0.3f})'.format(*sensor.accelerometer))
print('Magnetometer (gauss): ({0:0.3f},{1:0.3f},
{2:0.3f})'.format(*sensor.magnetometer))
print('Gyroscope (degrees/sec): ({0:0.3f},{1:0.3f},
{2:0.3f})'.format(*sensor.gyroscope))
print('Temperature: {0:0.3f}C'.format(sensor.temperature))
```

```
>>> print('Acceleration (m/s^2): ({0:0.3f},{1:0.3f},{2:0.3f})'.format(*sensor.accelerometer))
Acceleration (m/s^2): (-0.717,-0.021,9.244)
>>> print('Magnetometer (gauss): ({0:0.3f},{1:0.3f},{2:0.3f})'.format(*sensor.magnetometer))
Magnetometer (gauss): (0.069,-0.146,0.255)
>>> print('Gyroscope (degrees/sec): ({0:0.3f},{1:0.3f},{2:0.3f})'.format(*sensor.gyroscope))
Gyroscope (degrees/sec): (7.700,-15.934,28.017)
>>> print('Temperature: {0:0.3f}C'.format(sensor.temperature))
Temperature: 21.000C
>>>
```

In addition you can adjust some properties by getting and setting their values:

- `accel_range` - The range of the accelerometer, should be a value of `ACCELRange_2G`, `ACCELRange_4G`, `ACCELRange_6G`, `ACCELRange_8G`, or `ACCELRange_16G` from the `adafruit_lsm9ds0` module. The default is 2G.
- `mag_gain` - The gain of the magnetometer, should be a value of `MAGGAIN_2GAUSS`, `MAGGAIN_4GAUSS`, `MAGGAIN_8GAUSS`, or `MAGGAIN_12GAUSS` from the `adafruit_lsm9ds0` module. The default is 2 gauss.
- `gyro_scale` - The scale of the gyroscope, should be a value of `GYROSCALE_245DPS`, `GYROSCALE_500DPS`, or `GYROSCALE_2000DPS` from the `adafruit_lsm9ds0` module. The default is 245 DPS.

```
sensor.accel_range = adafruit_lsm9ds0.ACCEL_RANGE_4G
sensor.mag_gain = adafruit_lsm9ds0.MAG_GAIN_8GAUSS
sensor.gyro_scale = adafruit_lsm9ds0.GYRO_SCALE_500DPS
```

```
>>> sensor.accel_range = adafruit_lsm9ds0.ACCEL_RANGE_4G
>>> sensor.mag_gain = adafruit_lsm9ds0.MAG_GAIN_8GAUSS
>>> sensor.gyro_scale = adafruit_lsm9ds0.GYRO_SCALE_500DPS
>>> print('Acceleration (m/s^2): ({0:0.3f},{1:0.3f},{2:0.3f})'.format(*sensor.accelerometer))
Acceleration (m/s^2): (-0.754,-0.029,9.204)
>>> print('Magnetometer (gauss): ({0:0.3f},{1:0.3f},{2:0.3f})'.format(*sensor.magnetometer))
Magnetometer (gauss): (0.068,-0.145,0.256)
>>> print('Gyroscope (degrees/sec): ({0:0.3f},{1:0.3f},{2:0.3f})'.format(*sensor.gyroscope))
Gyroscope (degrees/sec): (3.972,-8.155,13.912)
>>> print('Temperature: {0:0.3f}C'.format(sensor.temperature))
Temperature: 20.875C
>>>
```

See the [simpletest.py example \(https://adafru.it/C59\)](https://adafru.it/C59) for a complete demo of printing the accelerometer, magnetometer, gyroscope every second. Save this as `main.py` on the board and examine the REPL output to see the range printed every second.

That's all there is to using the LSM9DS0 with CircuitPython!

Full Example Code

```
# SPDX-FileCopyrightText: 2021 ladyada for Adafruit Industries
# SPDX-License-Identifier: MIT

# Simple demo of the LSM9DS0 accelerometer, magnetometer, gyroscope.
# Will print the acceleration, magnetometer, and gyroscope values every second.
import time

import board
import busio

# import digitalio # Used with SPI

import adafruit_lsm9ds0

# I2C connection:
i2c = busio.I2C(board.SCL, board.SDA)
sensor = adafruit_lsm9ds0.LSM9DS0_I2C(i2c)

# SPI connection:
# from digitalio import DigitalInOut, Direction
# spi = busio.SPI(board.SCK, board.MOSI, board.MISO)
# gcs = DigitalInOut(board.D5)
# xmcs = DigitalInOut(board.D6)
# sensor = adafruit_lsm9ds0.LSM9DS0_SPI(spi, xmcs, gcs)

# Main loop will read the acceleration, magnetometer, gyroscope, Temperature
# values every second and print them out.
while True:
    # Read acceleration, magnetometer, gyroscope, temperature.
    accel_x, accel_y, accel_z = sensor.acceleration
    mag_x, mag_y, mag_z = sensor.magnetic
    gyro_x, gyro_y, gyro_z = sensor.gyro
    temp = sensor.temperature
    # Print values.
    print(
        "Acceleration (m/s^2): ({0:0.3f},{1:0.3f},{2:0.3f})".format(
            accel_x, accel_y, accel_z
        )
    )
```

```
print(
    "Magnetometer (gauss): ({0:0.3f},{1:0.3f},{2:0.3f})".format(mag_x, mag_y,
mag_z)
)
print(
    "Gyroscope (degrees/sec): ({0:0.3f},{1:0.3f},{2:0.3f})".format(
        gyro_x, gyro_y, gyro_z
    )
)
print("Temperature: {0:0.3f}C".format(temp))
# Delay for a second.
time.sleep(1.0)
```

Python Docs

[Python Docs \(https://adafru.it/C5a\)](https://adafru.it/C5a)

FAQs

Why is the temperature value weird on my LSM9DSO?

While there is a temperature sensor inside the LSM9DSO, unfortunately there isn't enough information provided in the datasheet to properly interpret or convert the values. We've made our best guess at interpreting the data, but you may need to incorporate an external temperature sensor if you require accurate temperature values in your system.

This is a known and long-standing issue with this sensor ([example \(https://adafru.it/vbh\)](https://adafru.it/vbh)), and to our knowledge ST has never addressed it or provided the extra information needed to accurately interpret the raw temperature data.

Downloads

Datasheets

- [LSM9DSO Datasheet \(https://adafru.it/dMh\)](https://adafru.it/dMh)
- [Breakout EagleCAD PCB files on GitHub \(https://adafru.it/pFx\)](https://adafru.it/pFx)
- [Flora EagleCAD PCB files on GitHub \(https://adafru.it/pFy\)](https://adafru.it/pFy)
- [Fritzing objects available in Adafruit Fritzing library \(https://adafru.it/aP3\)](https://adafru.it/aP3)

