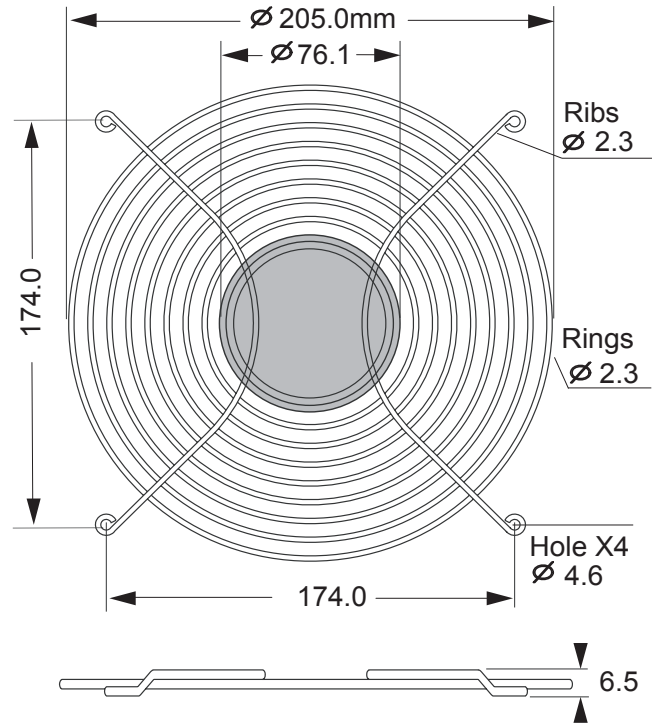
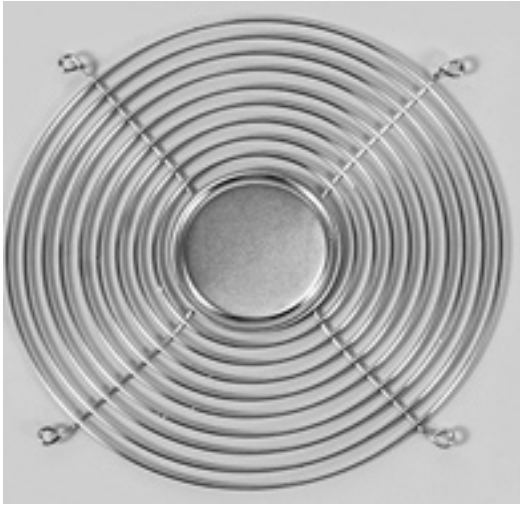


# Part No. G205-8D



## Fan Guard for 205mm Fan

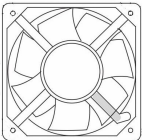


**NOTES:**

1. MATERIAL:C1008 BRIGHT BASIC WIRE
2. FINISH:BRIGHT NICKEL CHROME
3. RINGS: 2.3MM dia. / RIBS: 2.3MM dia
4. WELDS TO WITHSTAND 88LBS PULL FORCE
5. GENERAL TOLERANCE UNLESS NOTED +/-0.5MM
6. PART MEETS 6.35MM PLUG GAUGE TEST
7. UNIT: MM

Part Number	Description
G205-8D	205mm fan guard, metal

**Matching Fan Series**



OA205AN