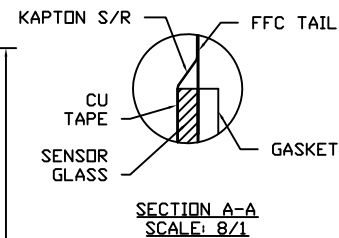
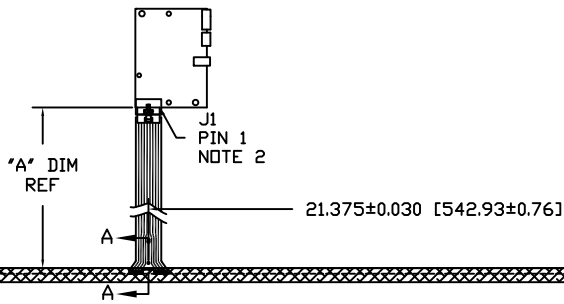


DGA DIAG: 42.93 [1090.4]  
 AA DIAG: 41.57 [1055.8]

TOP LEVEL NUMBER	SKU NUMBER	TYPE	DIM "A" (TOTAL GLASS TO FLEXTAIL CONN)	PRODUCT SPEC
DSTK9007-3400	98-0003-2675-5	DUAL	12.00" [304.8]	33626/34017

**DUAL**  
 DST-TC-3400DC  
 98-0003-3288-6  
 DUAL MODE CONTROLLER  
 COMPONENT SIDE



J1 PINOUT	
1	CH 3
2	CH 2
3	PWR
4	2.5V
5	GRD
6	PWR
7	CH 0
8	CH 1

1.10 [27.9]  
 TYP  
 8X

CU TAPE  
 3 SIDES

19.05 [483.9] 2X  
 GASKET  
 NOTE 3

SENSOR FRONT

.50 [12.70]  
 20.250 [514.35] AA  
 21.250 [539.75] DGA

.087 [2.21]  
 GLASS  
 .174 [4.42]  
 TOTAL THK.

35.10 [891.5] GASKET 2X  
 NOTE 3  
 36.300 [922.02] AA  
 37.300 [947.42] DGA

1.10 [27.9]  
 REF  
 .50 [12.70]

- NOTES:
- WEIGHT OF GLASS IN GRAMS: 2825±10%
  - 8 PIN AMP CONNECTOR  
 LATCH STYLE HOUSING P/N: 487526-7  
 TIN CONTACTS P/N: 2-487406-4  
 HOUSING ORIENTED WITH LATCH UP
  - GASKET ON SENSOR BACKSIDE

06	REVISE PER CD 030743	7/00	ISB
05	REVISE PER CD 028824	3/08	ISB
04	REVISE PER CD 027300	5/07	JAH

		3M TOUCH SYSTEMS WATUQU, MA USA	
COPYRIGHT 2005 THIS DOCUMENT IS THE PROPERTY OF 3M AND IS LOANED TO YOU BY THE REQUESTOR. IT IS NOT TO BE REPRODUCED OR TRANSMITTED IN ANY FORM OR BY ANY MEANS, ELECTRONIC OR MECHANICAL, INCLUDING PHOTOCOPYING, RECORDING, OR BY ANY INFORMATION STORAGE AND RETRIEVAL SYSTEM, WITHOUT THE WRITTEN PERMISSION OF 3M.			
DO NOT SCALE DRAWING 1 = 1		DATE: 10/05 DESIGNED BY: Hortofello	AUTOCAD SHEET: 1 OF 1 PART NO: 27748-MKT REV: 06

MKT DWG  
 DST2270DX 40"-0