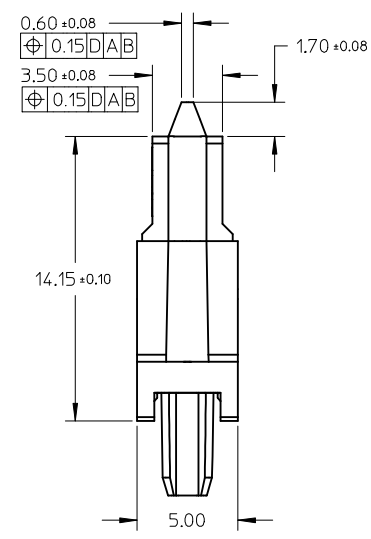
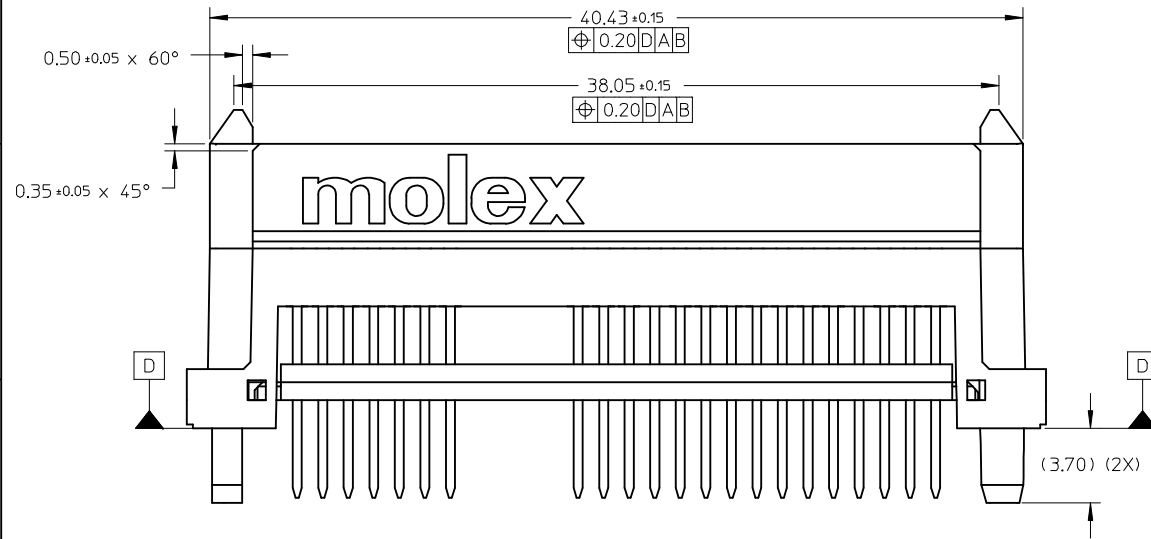


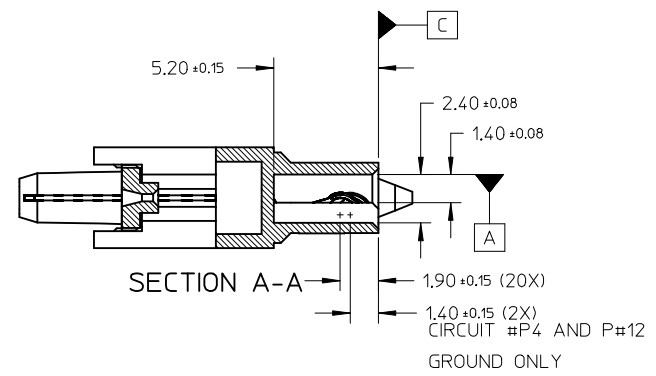
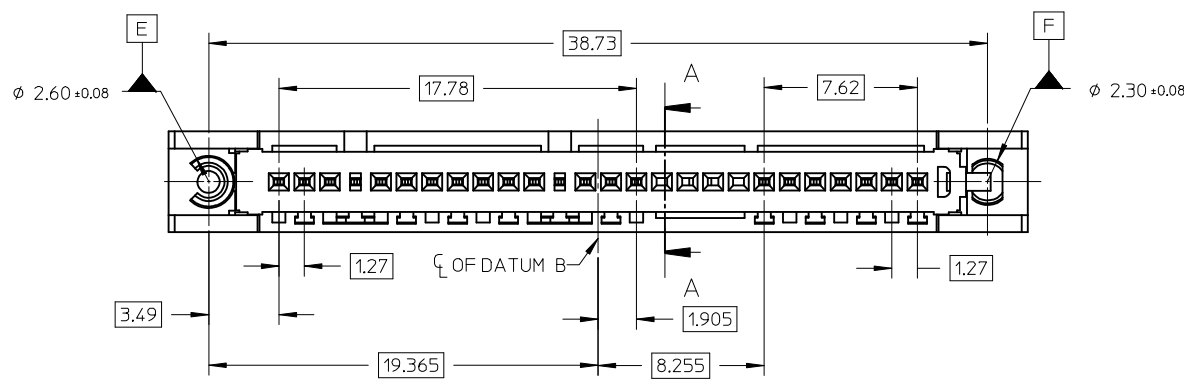
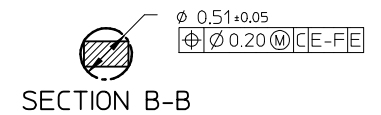
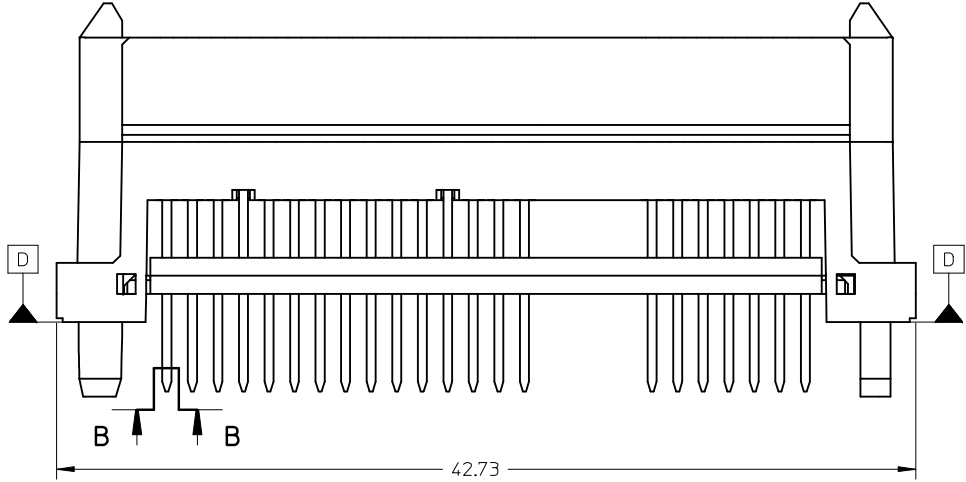
- NOTES:
- MATERIAL: LCP, GLASS FILLED, UL 94V-0, COLOR: BLACK  
TERMINAL: COPPER ALLOY
  - PLATING  
CONTACT: 0.76µm MIN. SELECTIVE GOLD OVER 1.27µm MIN. NICKEL UNDERPLATE  
SOLDERTAIL: 2.54µm MIN. TIN OVER 1.27µm MIN. NICKEL UNDERPLATE
  - MOLEX LOGO LOCATED APPROXIMATELY AS SHOWN
  - MAXIMUM WARPAGE OF 0.13 mm OVER THE LENGTH OF THE CONNECTOR IN ANY DIRECTION BEFORE AND AFTER EXPOSURE TO MAX. 260°C FOR 10 SECONDS
  - PRODUCT SPECIFICATION 87678-029 APPLIES
  - PACKAGING  
30 CONNECTORS PER TRAY



OBS TIN/LEAD P/N EC NO: S2006-0984 DRWN:MLONG 2006/04/04 CHKD:CGTAN 2006/04/04 APPR:KCLING 2006/04/04 REV DESCRIPTION	QUALITY SYMBOLS	GENERAL TOLERANCES (UNLESS SPECIFIED)	DIMENSION STYLE	SCALE	DESIGN UNITS	THIRD ANGLE PROJECTION
	▽=0 ◻=0	4 PLACES ± --- ± --- 3 PLACES ± --- ± --- 2 PLACES ± 0.20 ± --- 1 PLACE ± --- ± --- ANGULAR ± 3°	MM ONLY	NTS	METRIC	
		DRAWN BY DATE DKOH 2003/03/20 CHECKED BY DATE KCLING 2003/03/28 APPROVED BY DATE SKTOH 2003/03/31	TITLE	SERIAL ATA BACKPLANE EXT. HT., RECEPT., T/H		
		DRAFT WHERE APPLICABLE MUST REMAIN WITHIN DIMENSIONS	MATERIAL NO.	DOCUMENT NO.	MOLEX MOLEX INCORPORATED SD-87678-023	

THIS DRAWING CONTAINS INFORMATION THAT IS PROPRIETARY TO MOLEX INCORPORATED AND SHOULD NOT BE USED WITHOUT WRITTEN PERMISSION

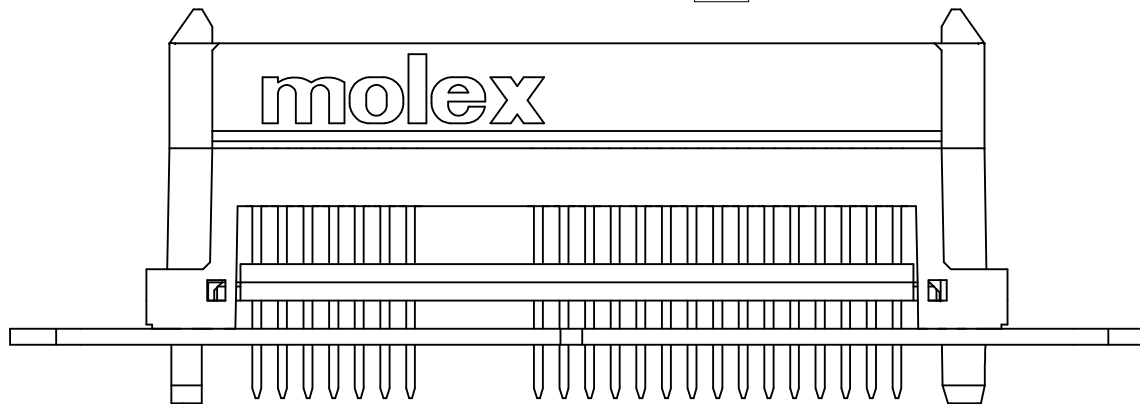
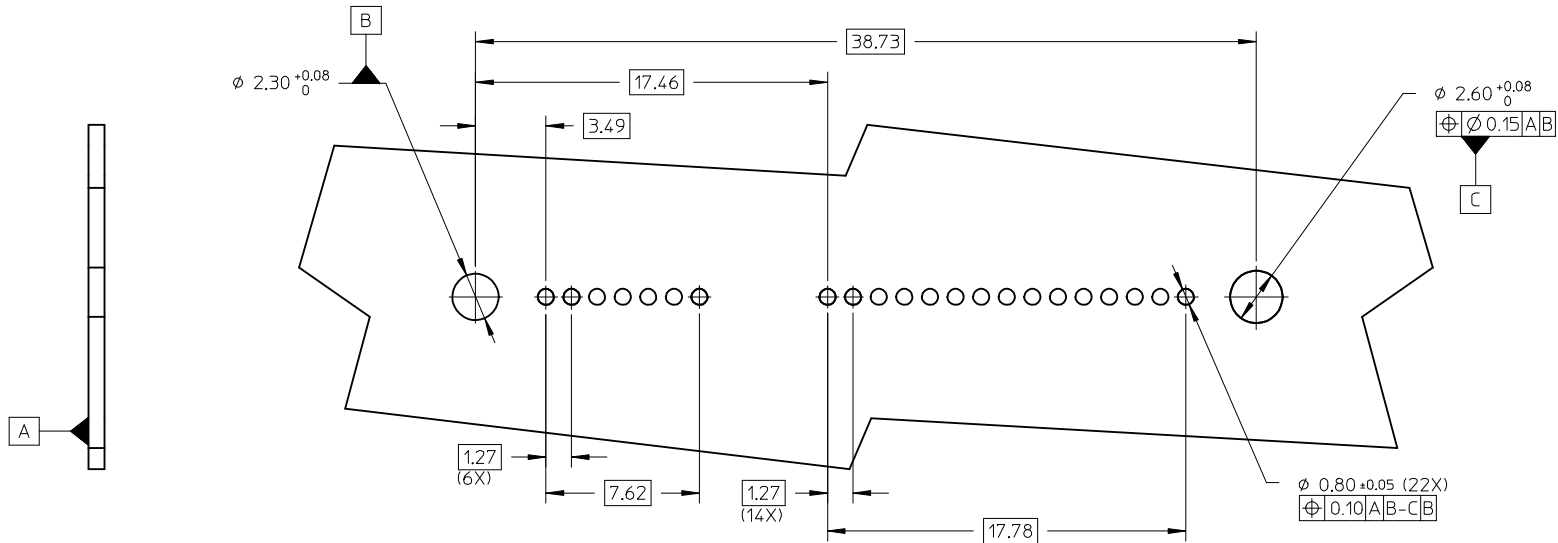
10 9 8 7 6 5 4 3 2 1



OBS TIN/LEAD P/N EC NO: S2006-0984 DRW:MLONG 2006/04/04 CHKD:GTAN 2006/04/04 APPR:KCLING 2006/04/04	QUALITY SYMBOLS ▽=0 ∇=0	GENERAL TOLERANCES (UNLESS SPECIFIED)		DIMENSION STYLE MM ONLY	SCALE NTS	DESIGN UNITS METRIC	THIRD ANGLE PROJECTION	
		4 PLACES ± --- ± ---	3 PLACES ± --- ± ---	2 PLACES ± 0.20 ± ---	1 PLACE ± --- ± ---	ANGULAR ± 3 °	DRAWN BY: OKOH DATE: 2003/03/20 CHECKED BY: KCLING DATE: 2003/03/28 APPROVED BY: SKTOH DATE: 2003/03/31	
DRAFT WHERE APPLICABLE MUST REMAIN WITHIN DIMENSIONS		MATERIAL NO. 87678-1001		DOCUMENT NO. SD-87678-023		TITLE SERIAL ATA BACKPLANE EXT. HT., RECEPT., T/H		
REV		SIZE A3		THIS DRAWING CONTAINS INFORMATION THAT IS PROPRIETARY TO MOLEX INCORPORATED AND SHOULD NOT BE USED WITHOUT WRITTEN PERMISSION				SHEET NO. 2 OF 4

9 8 7 6 5 4 3 2 1

10 9 8 7 6 5 4 3 2 1

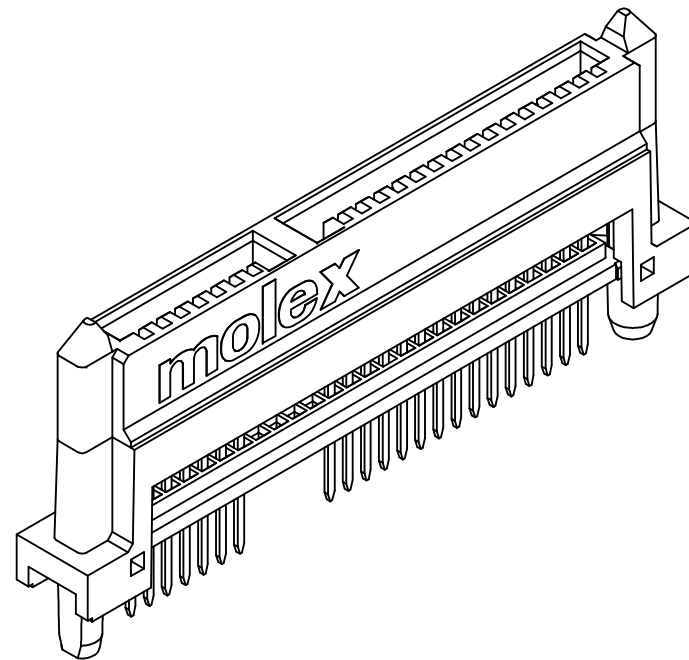
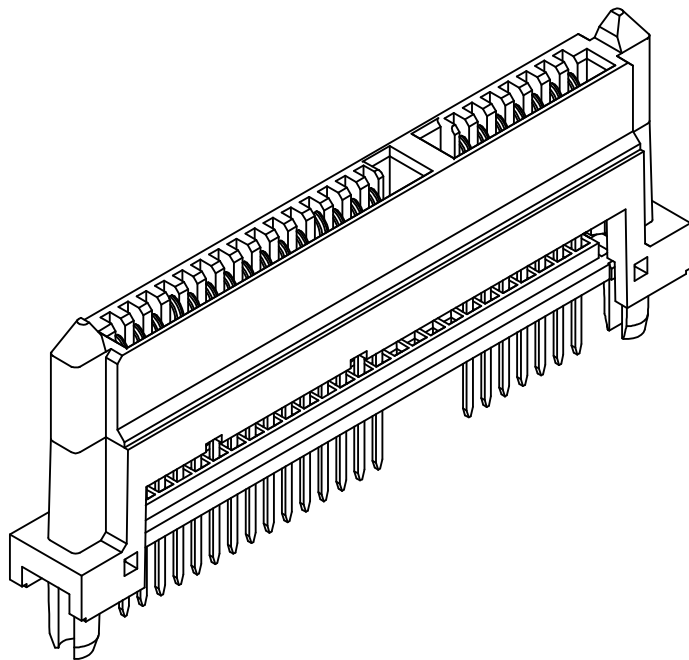


PCB THICKNESS: 0.80 mm - 2.50 mm

RECOMMENDED PCB LAYOUT

<b>OBS TIN/LEAD P/N</b> EC NO: S2006-0984 DRWING: NLONG 2006/04/04 CHK'D: CGTAN 2006/04/04 APPR: KCLING 2006/04/04	QUALITY SYMBOLS ▽=0 ◻=0	GENERAL TOLERANCES (UNLESS SPECIFIED)		DIMENSION STYLE <b>MM ONLY</b>		SCALE NTS	DESIGN UNITS METRIC	THIRD ANGLE PROJECTION		
			mm	INCH	DRAWN BY	DATE	TITLE			
		4 PLACES	± ---	± ---	DKOH	2003/03/20	SERIAL ATA BACKPLANE EXT. HT., RECEPT., T/H			
		3 PLACES	± ---	± ---	CHECKED BY	DATE				
2 PLACES	± 0.20	± ---	KCLING		2003/03/28	MOLEX INCORPORATED				
1 PLACE	± ---	± ---	APPROVED BY		DATE					
ANGULAR ± 3 °		SKTOH		2003/03/31	MATERIAL NO.		DOCUMENT NO.		SHEET NO.	
DRAFT WHERE APPLICABLE MUST REMAIN WITHIN DIMENSIONS		87678-1001		SD-87678-023		3 OF 4				
		SIZE A3		THIS DRAWING CONTAINS INFORMATION THAT IS PROPRIETARY TO MOLEX INCORPORATED AND SHOULD NOT BE USED WITHOUT WRITTEN PERMISSION						

9 8 7 6 5 4 3 2 1



OBS TIN/LEAD P/N EC NO: S2006-0984 DRWN:MLONG 2006/04/04 CHKD:CGTAN 2006/04/04 APPR:KCLING 2006/04/04	DESCRIPTION REV	QUALITY SYMBOLS	GENERAL TOLERANCES (UNLESS SPECIFIED)	DIMENSION STYLE	SCALE	DESIGN UNITS	THIRD ANGLE PROJECTION	
		$\nabla=0$ $\square=0$	mm    INCH 4 PLACES ± --- ± --- 3 PLACES ± --- ± --- 2 PLACES ± 0.20 ± --- 1 PLACE ± --- ± --- ANGULAR ± 3 °	MM ONLY	NTS	METRIC	DRAWN BY: DKOH    DATE: 2003/03/20 CHECKED BY: KCLING    DATE: 2003/03/28 APPROVED BY: SKTOH    DATE: 2003/03/31	TITLE
			DRAFT WHERE APPLICABLE MUST REMAIN WITHIN DIMENSIONS	MATERIAL NO.	MOLEX INCORPORATED			
				87678-1001	DOCUMENT NO.	SD-87678-023	SHEET NO.	
				SIZE: A3	THIS DRAWING CONTAINS INFORMATION THAT IS PROPRIETARY TO MOLEX INCORPORATED AND SHOULD NOT BE USED WITHOUT WRITTEN PERMISSION			4 OF 4