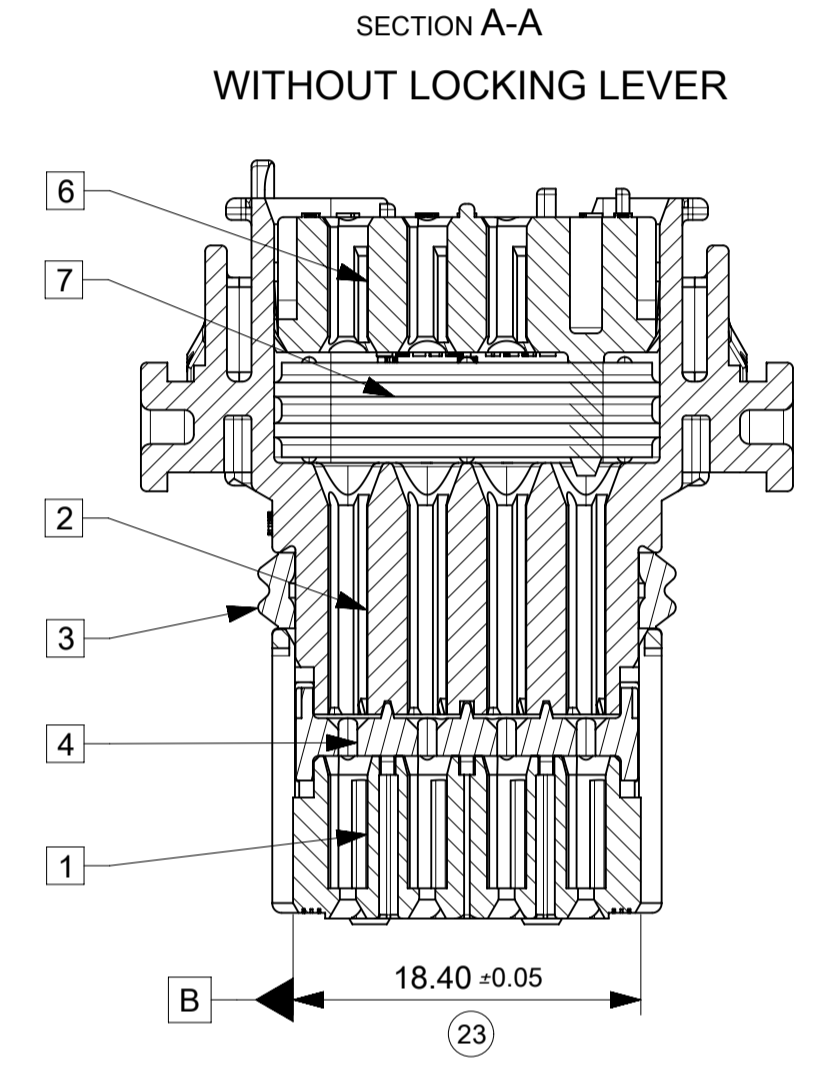
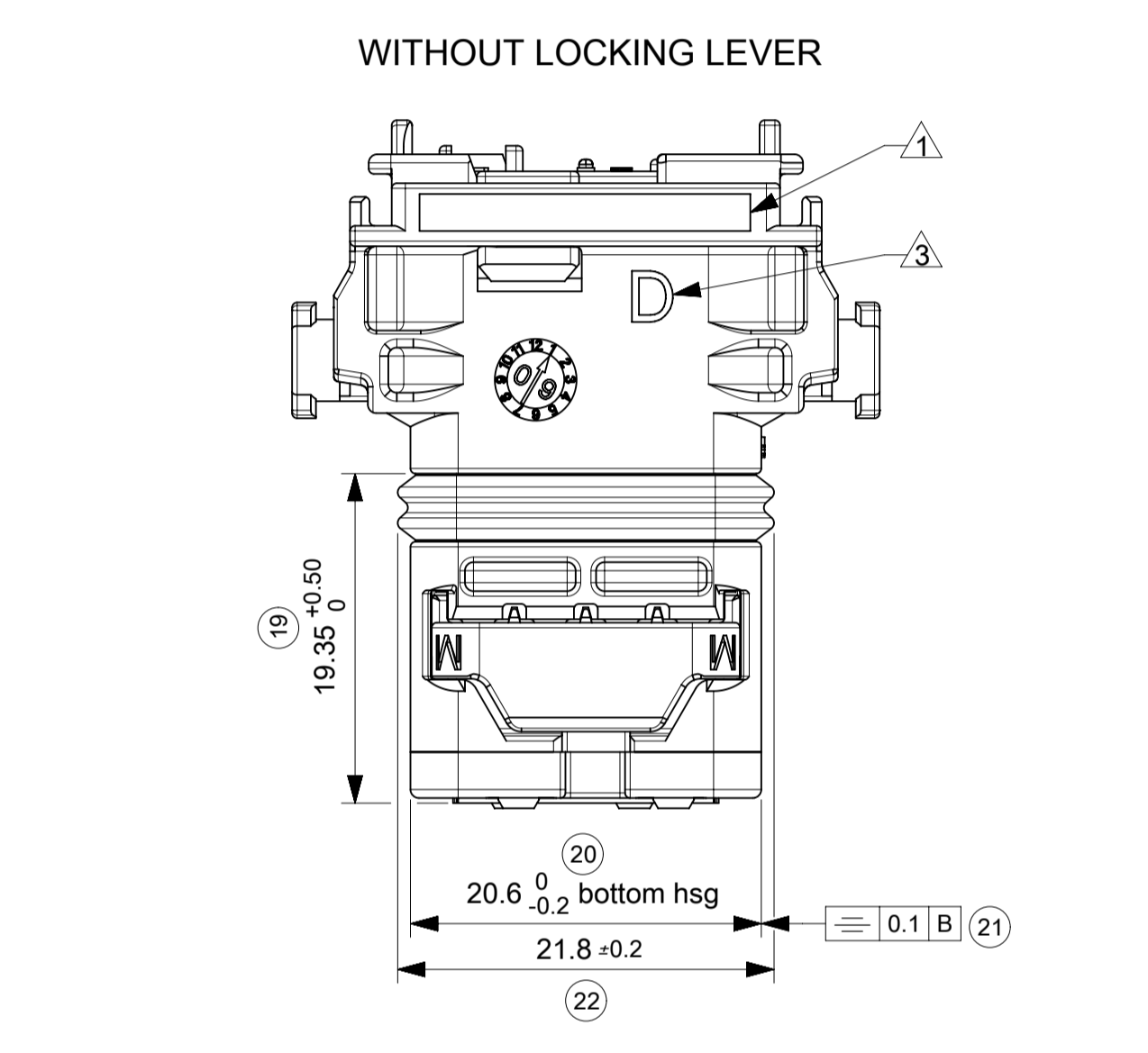
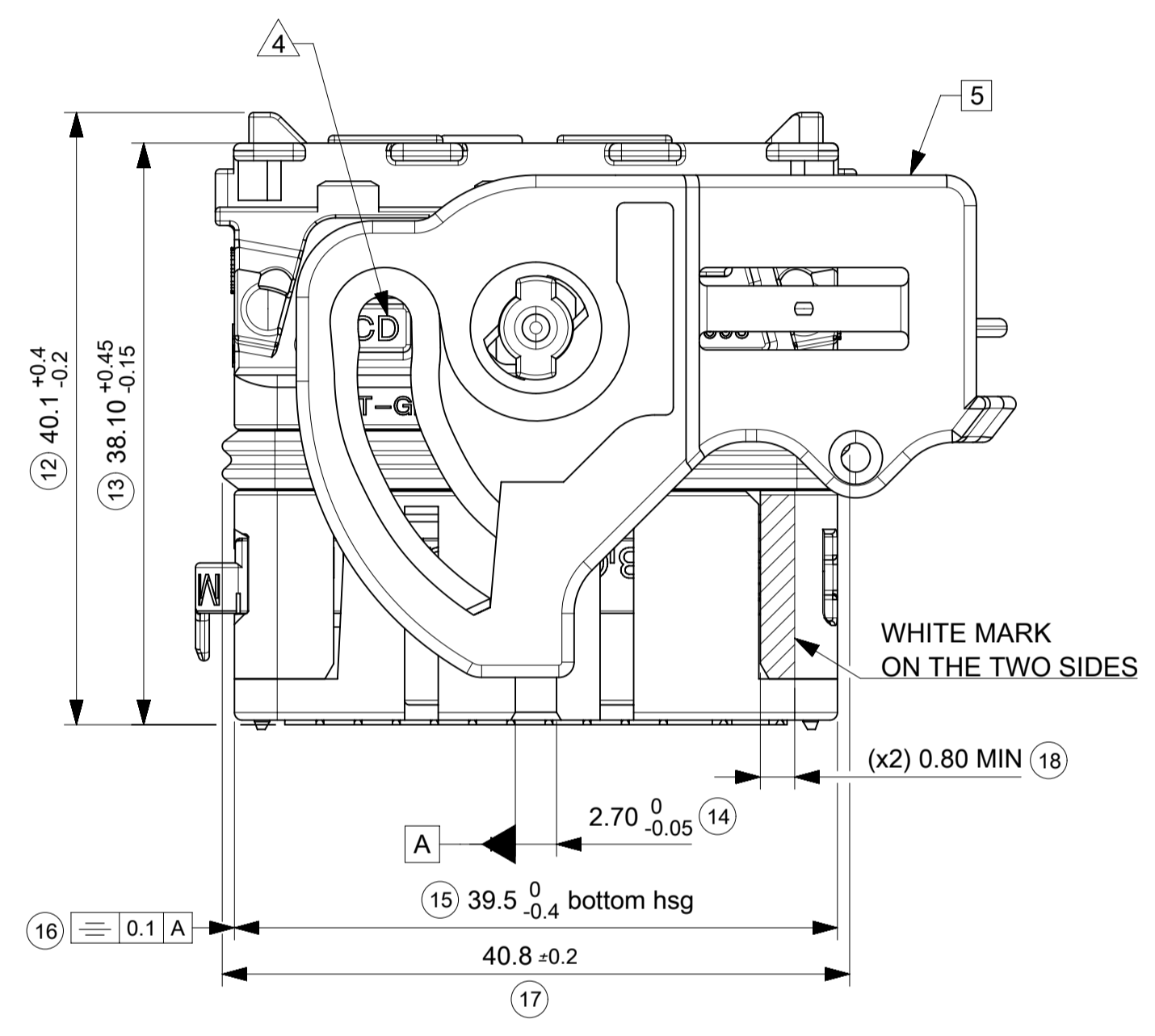
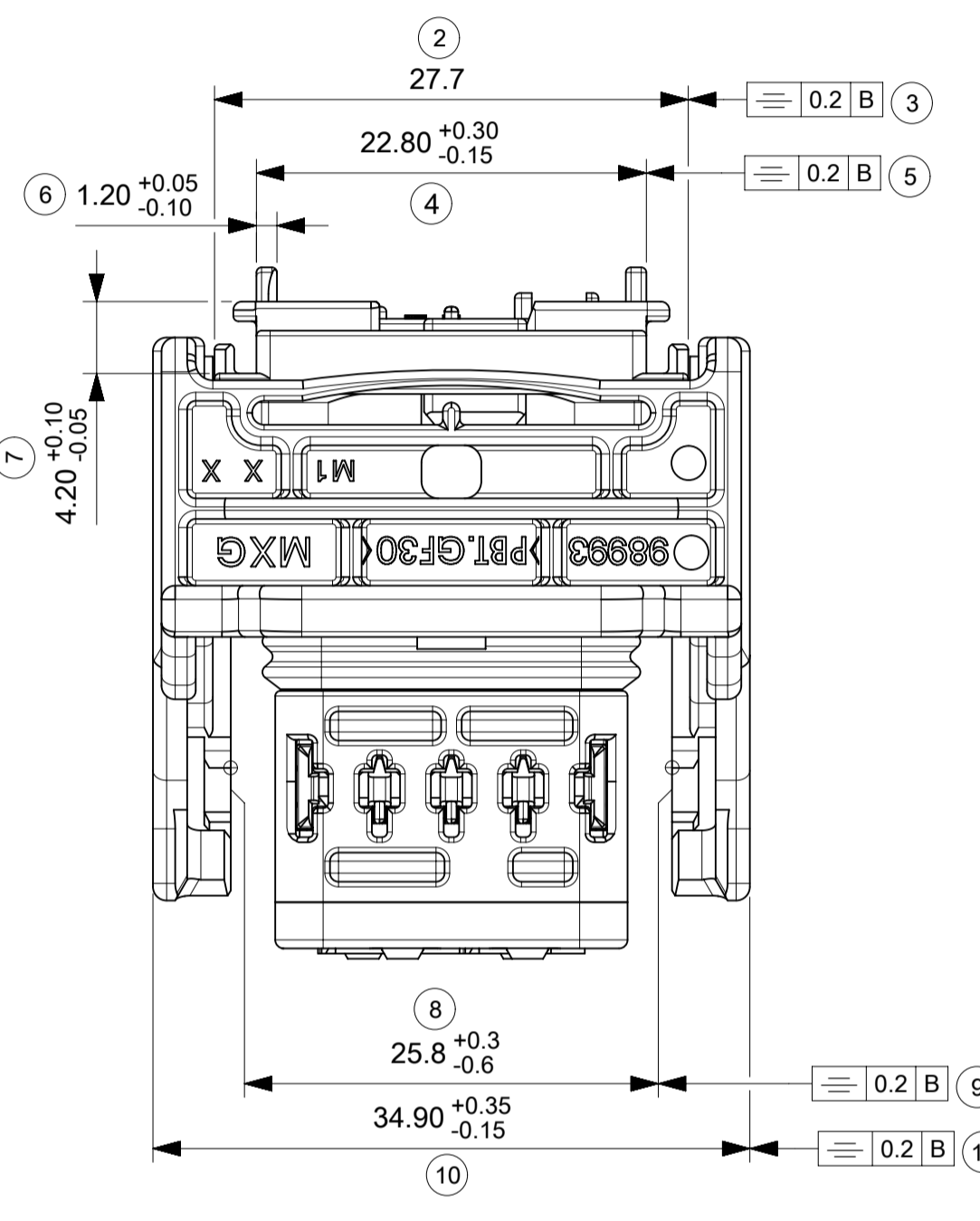
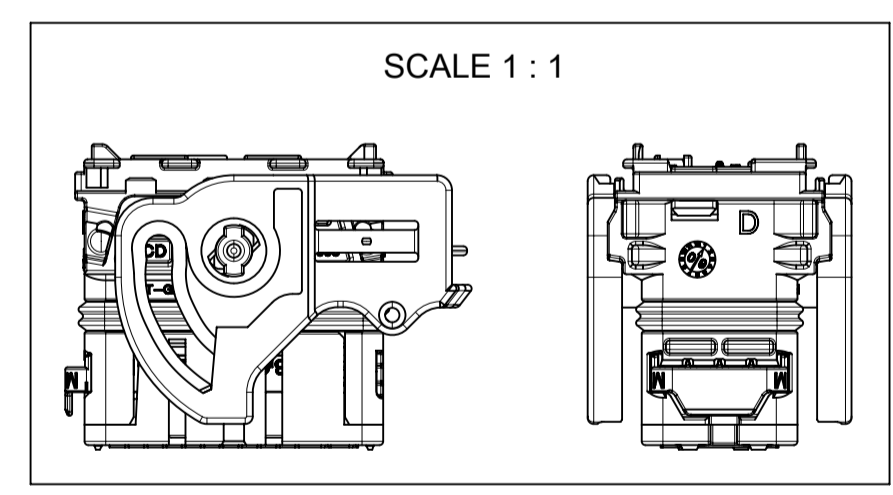
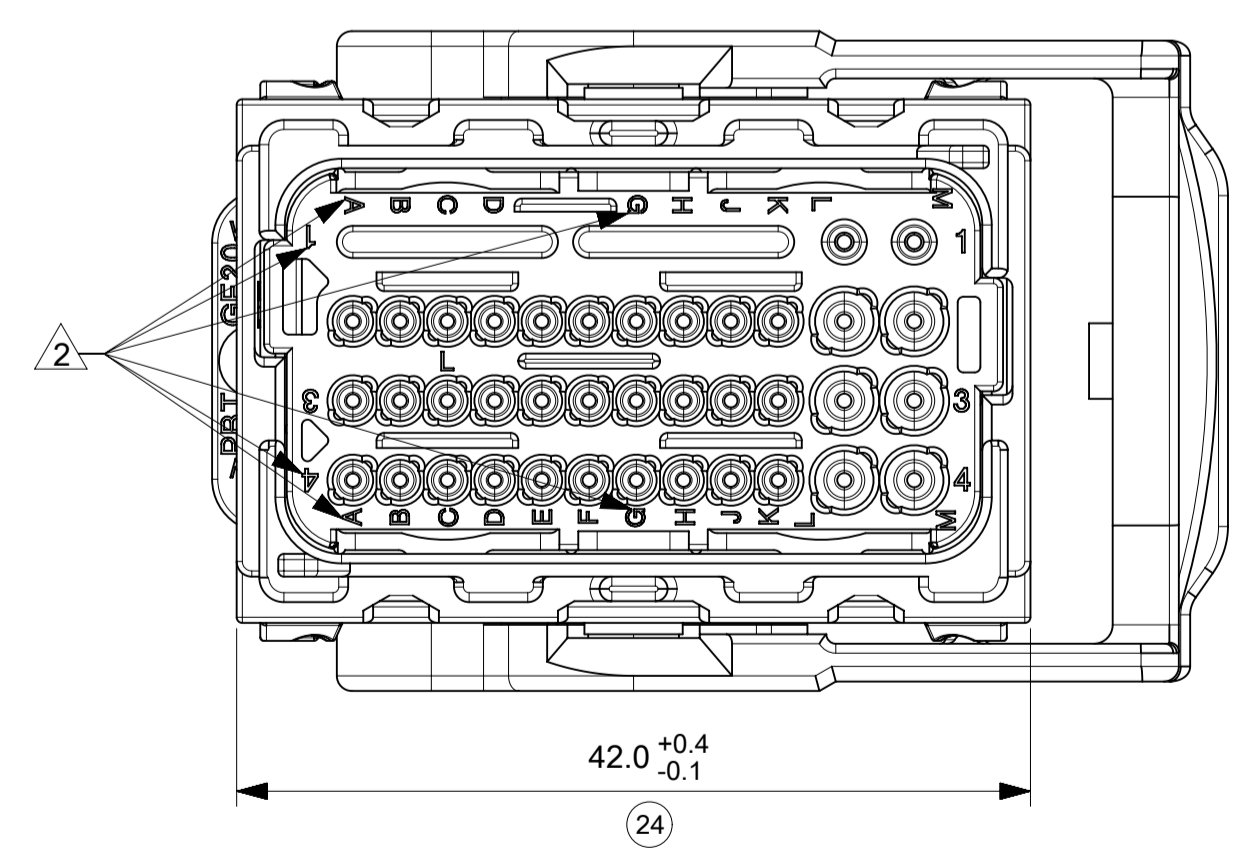


LEFT WIRE OUTPUT	
MATERIAL NUMBER	COLOR
0643202311	BLACK
N/A	GREY
0643202319	BROWN
N/A	GREEN



RIGHT WIRE OUTPUT	
MATERIAL NUMBER	COLOR
0643204311	BLACK
N/A	GREY
0643204319	BROWN
N/A	GREEN



- NOTES:
- FOR ILLUSTRATION PURPOSE THE FEMALE HOUSING SHOWN IS THE RIGHT WIRE OUTPUT VERSION CODING 1
 - APPLICATION SPECIFICATION: AS-64319-002
 - WIRES EXTERNAL DIAMETER USED:
FOR CP0.6 TERMINAL: USE WIRES WITH AN EXTERNAL DIAMETER BETWEEN $\varnothing 1.25\text{MM}$ MIN AND $\varnothing 1.90\text{MM}$ MAX
FOR CP1.5 TERMINAL: USE WIRES WITH AN EXTERNAL DIAMETER BETWEEN $\varnothing 1.40\text{MM}$ MIN AND $\varnothing 2.80\text{MM}$ MAX
 - THE CONNECTOR FITS WITH WIRE CAP (48 WAY) MOLEX P/N 0643201301
 - BLIND PLUG FOR 0.6 AND 1.5 CAVITIES (MOLEX P/N 0643251010 AND 0643251023) MUST BE USED ON THIS PART
 - DELIVERED PRODUCT WEIGHT: 36.1 g

7	MAT SEAL	Silicon	RED
6	BACK GRID 36W	>PBT-GF20<	YELLOW
5	LOCKING LEVER 48W	>PBT-GF30<	BLACK
4	SECONDARY LOCK	>PBT-GF20<	GREY
3	PERIPHERAL SEAL 48W	Silicon	RED
2	BACK PART	>PBT-GF20<	BLACK
1	FRONT PART	>PBT-GF20<	COLOR LINKED TO KEYING
REF.	DESIGNATION	MATERIAL	COLOR

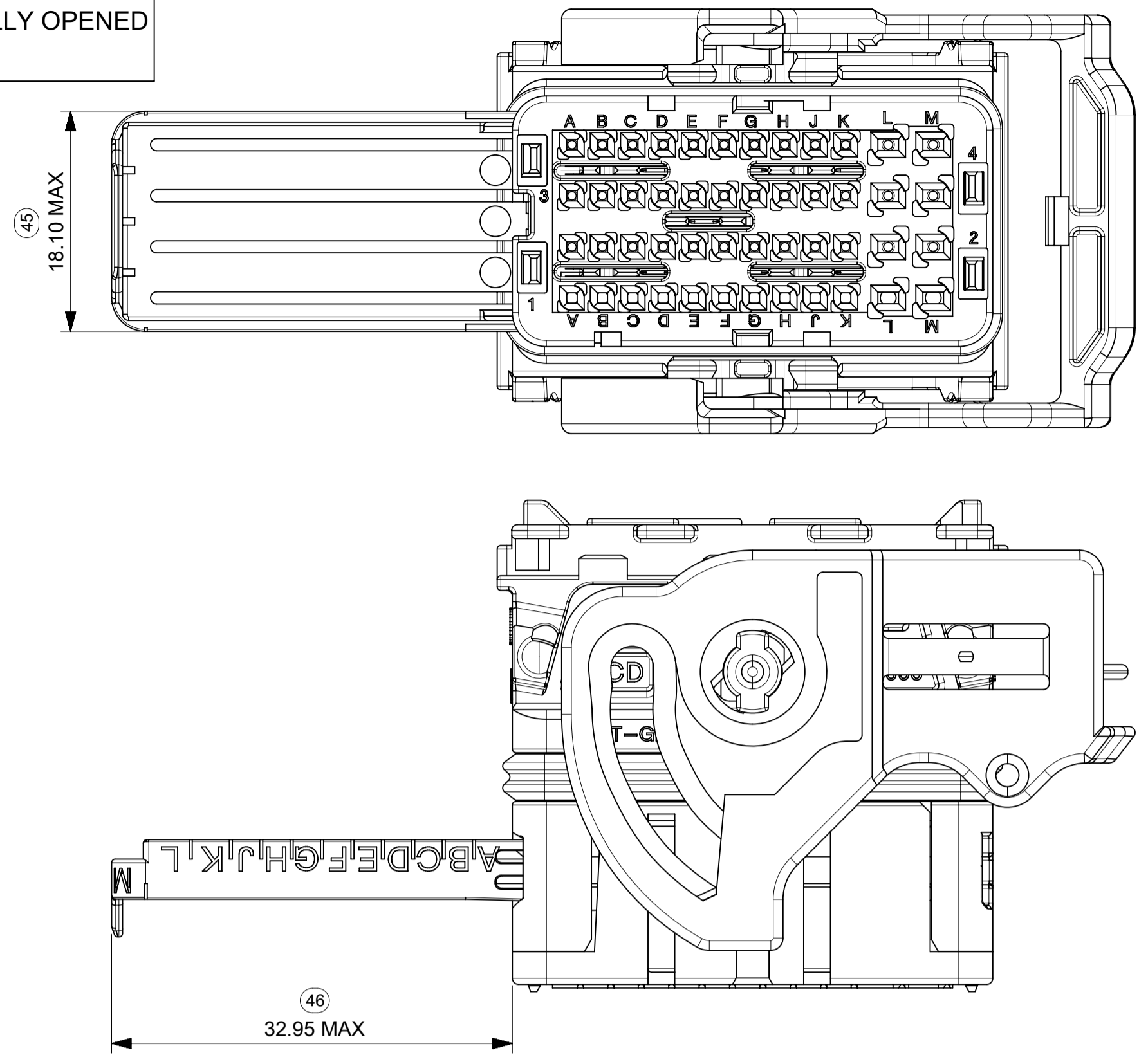
MARKINGS:

- Assembled part tracability: Year + Day
- Terminal cavities identification
- Lever position indicator: "D" LETTER VISIBLE = "RIGHT WIRE OUTPUT" "G" LETTER VISIBLE = "LEFT WIRE OUTPUT"
- Supplier identification
- Material identification

THIS DRAWING CONTAINS INFORMATION THAT IS PROPRIETARY TO MOLEX ELECTRONIC TECHNOLOGIES, LLC AND SHOULD NOT BE USED WITHOUT WRITTEN PERMISSION		CURRENT REV DESC: NX RE-MASTERING				
DIMENSION UNITS	SCALE	2.5:1				
GENERAL TOLERANCES (UNLESS SPECIFIED)		EC NO: 627963		CMC CONNECTOR 36 WAY MAT SEAL VERSION		
ANGULAR TOL	± 2.0°	DRWN: PBOSQUAIN 2019/11/06				
4 PLACES	±	CHK'D: CBOUCHAN 2020/01/22		PRODUCT CUSTOMER DRAWING		
3 PLACES	±	APPR: SLAFAURE 2020/01/23				
2 PLACES	± 0.1	INITIAL REVISION:		DOCUMENT NUMBER: 643200003		
1 PLACE	± 0.1	DRWN: PBOSQUAIN 2019/11/06				DOC TYPE: PSD
0 PLACES	±	APPR: SLAFAURE 2020/01/23		MATERIAL NUMBER: SEE TABLE		
DRAFT WHERE APPLICABLE MUST REMAIN WITHIN DIMENSIONS		FIRST ANGLE PROJECTION	DRAWING: A1-SIZE			SERIES: 64320

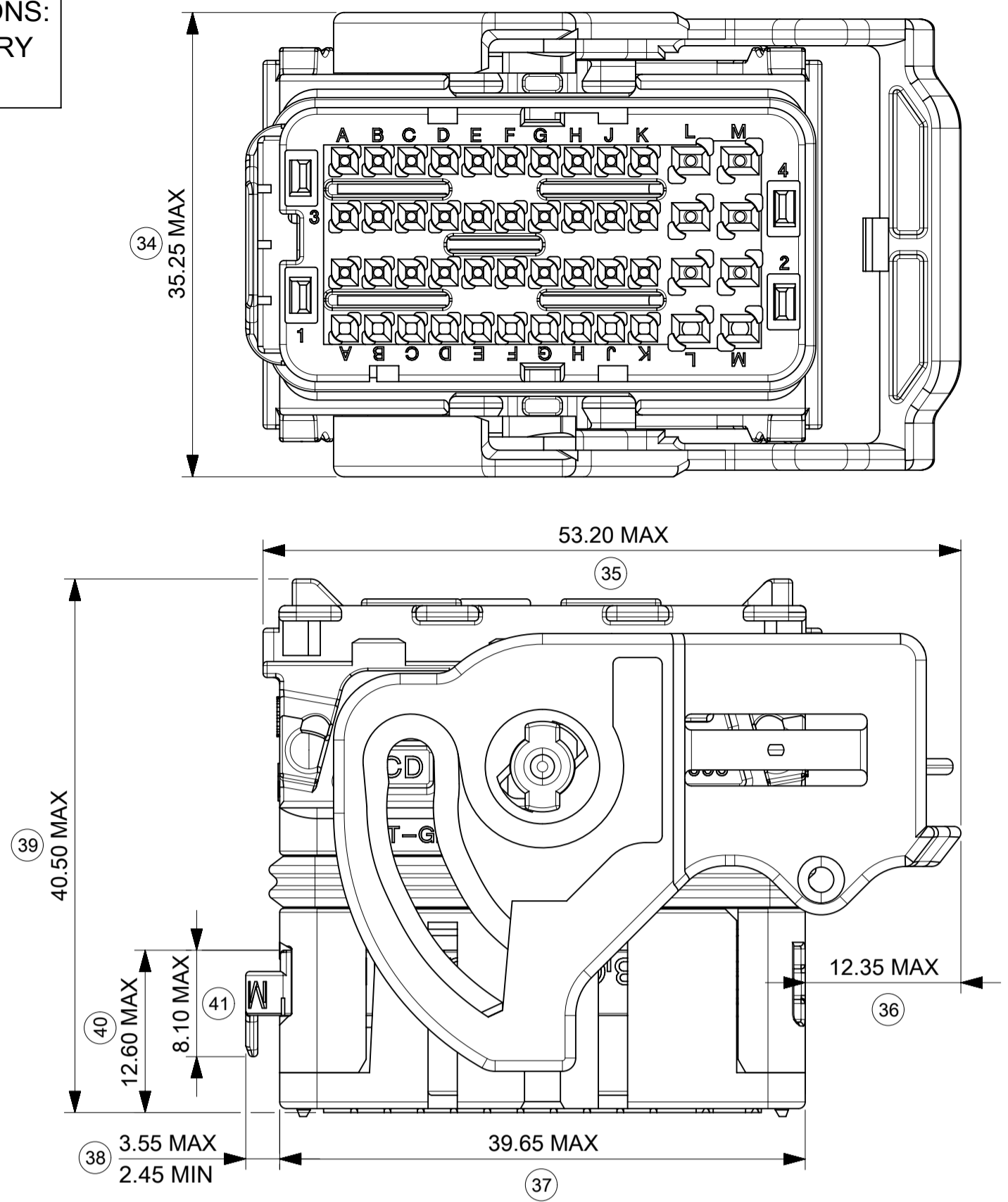
CONNECTOR OVERALL DIMENSIONS:
SECONDARY LOCKING FULLY OPENED
FOR TERMINAL INSERTION

RIGHT WIRE OUTPUT

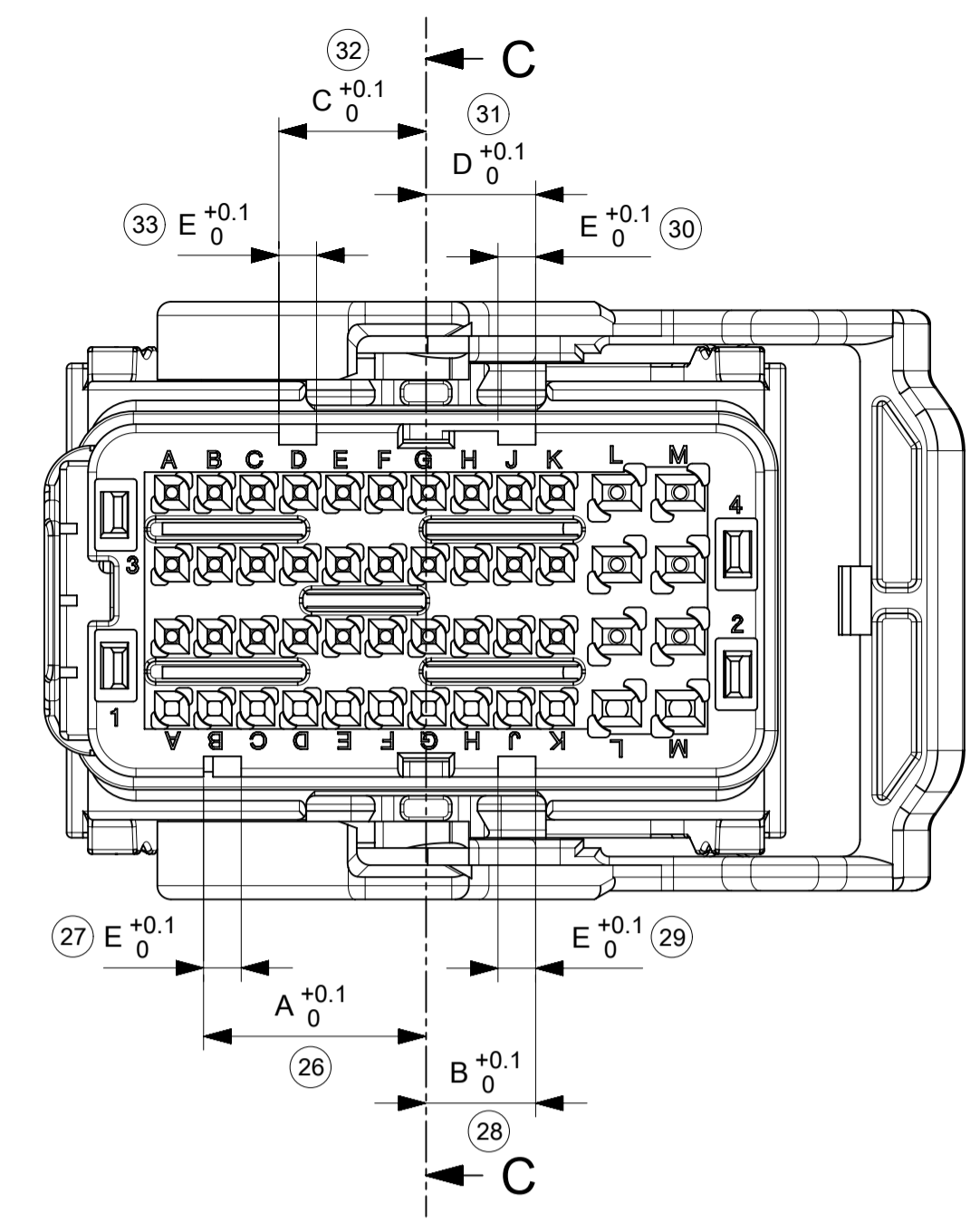


CONNECTOR OVERALL DIMENSIONS:
SECONDARY LOCKING IN DELIVERY
POSITION

RIGHT WIRE OUTPUT

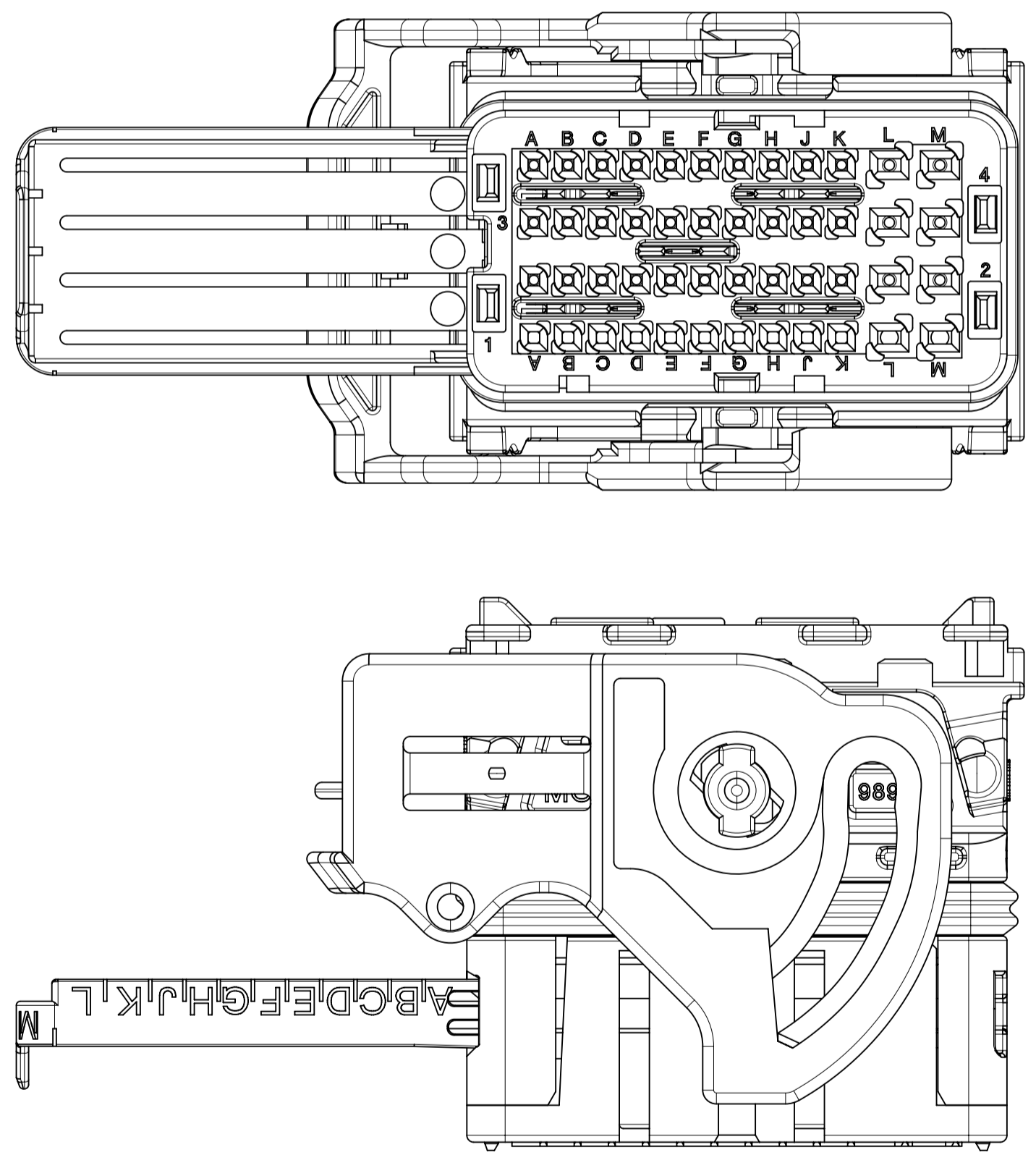


CODING POSITION



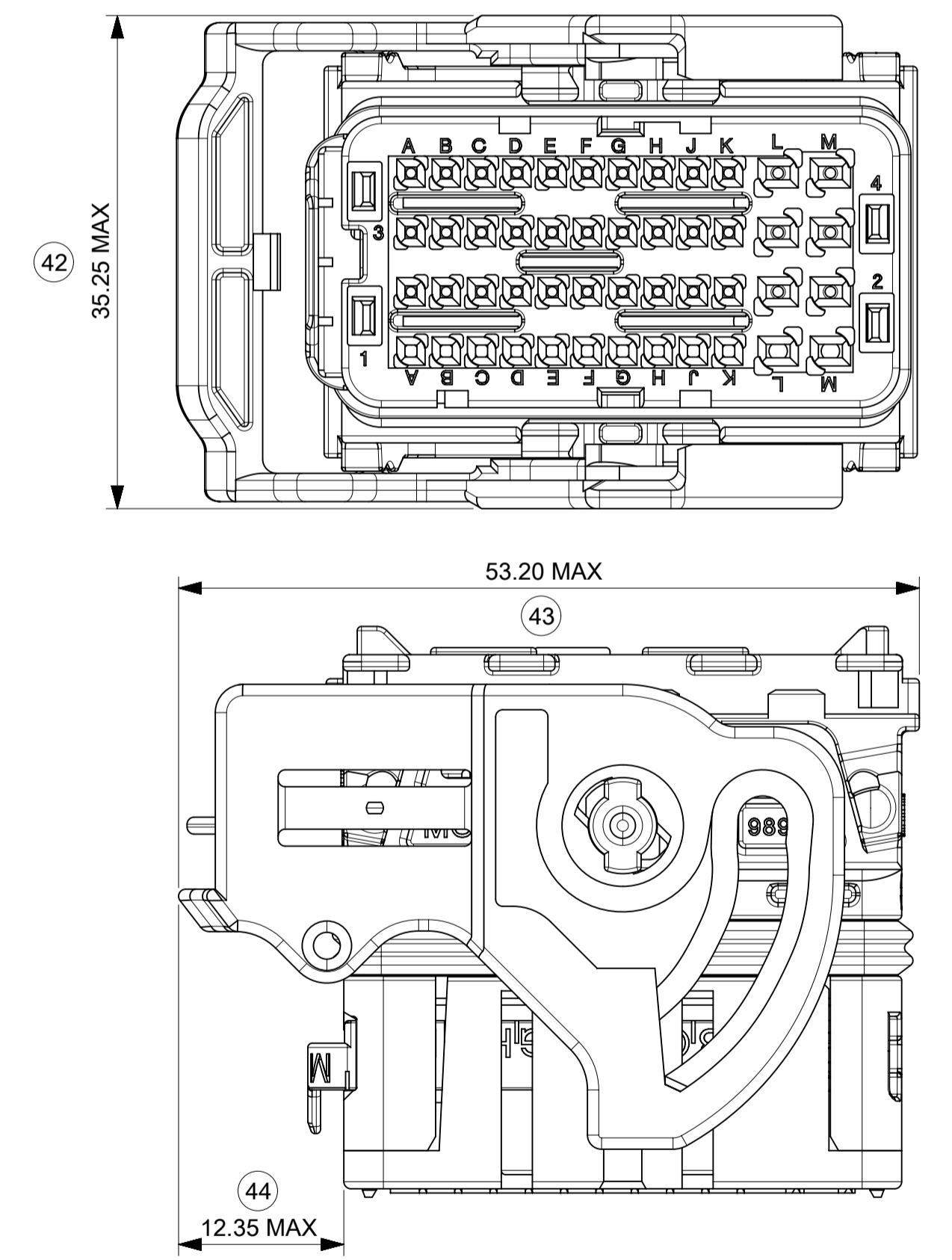
CONNECTOR OVERALL DIMENSIONS:
SECONDARY LOCKING FULLY OPENED
FOR TERMINAL INSERTION

LEFT WIRE OUTPUT

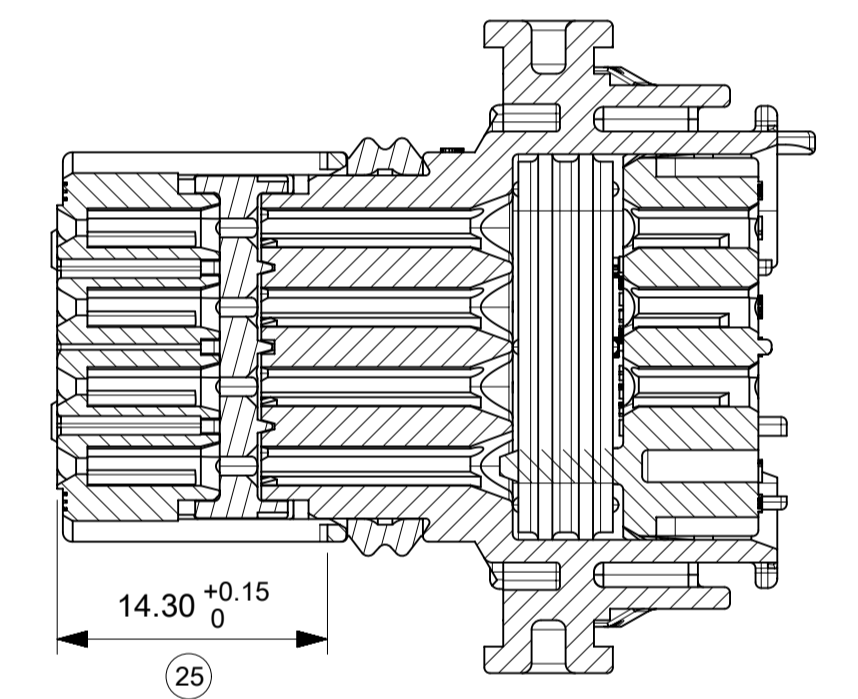


CONNECTOR OVERALL DIMENSIONS:
SECONDARY LOCKING IN DELIVERY
POSITION

LEFT WIRE OUTPUT



SECTION C-C
WITHOUT LOCKING LEVER



COLOR	CODING	A	B	C	D	E
BLACK	1	13	6.4	8.6	6.4	2.2
GREY	2	10.8	8.6	13	8.6	2.2
BROWN	3	8.6	10.8	13	13	2.2
GREEN	4	10.8	13	6.4	6.4	2.2

TERMINALS USED				
CAVITY N°	FEMALE TERMINALS (Section mm2)	PLATING	MOLEX P/N	min / MAX WIRE INSULATION DIAMETER (mm)
A2 to A4 B2 to B4 C2 to C4 D2 to D4 E2 to E4 F2 to F4 G2 to G4 H2 to H4 J2 to J4 K2 to K4	CP 0.6 0.35mm2	Tin plated	0643221019	∅1.25 min / ∅1.40 Max
		Gold plated	0643221229	
	CP 0.6 0.5mm2	Tin plated	0643221039	∅1.40 min / ∅1.70 Max
		Gold plated	0643221239	
L2 to L4 M2 to M4	CP 0.6 0.75mm2	Tin plated	0643221029	∅1.60 min / ∅1.90 Max
		Gold plated	0643221219	
	CP 1.5 0.5mm2 to 1mm2	Tin plated	0643231029	∅1.40 min / ∅2.15 Max
		Gold plated	0643231319	
CP 1.5 >1mm2 to 2mm2	Tin plated	0643231039	∅2.10 min / ∅2.80 Max	
	Gold plated	0643231219		

THIS DRAWING CONTAINS INFORMATION THAT IS PROPRIETARY TO MOLEX ELECTRONIC TECHNOLOGIES, LLC AND SHOULD NOT BE USED WITHOUT WRITTEN PERMISSION

DIMENSION UNITS: mm SCALE: 2.5:1

GENERAL TOLERANCES (UNLESS SPECIFIED):

ANGULAR TOL: ± 2.0°

4 PLACES: ±

3 PLACES: ±

2 PLACES: ± 0.1

1 PLACE: ± 0.1

0 PLACES: ±

DRAFT WHERE APPLICABLE MUST REMAIN WITHIN DIMENSIONS

FIRST ANGLE PROJECTION

DRAWING: A1-SIZE

SERIES: 64320

CURRENT REV DESC: NX RE-MASTERING

EC NO: 627963

DRWN: PBOSQUAIN 2019/11/06

CHK'D: CBOUCHAN 2020/01/22

APPR: SLAFAURE 2020/01/23

INITIAL REVISION:

DRWN: PBOSQUAIN 2019/11/06

APPR: SLAFAURE 2020/01/23

DOCUMENT NUMBER: 643200003

DOC TYPE: PSD

DOC PART: 000

REVISION: A

MATERIAL NUMBER: SEE TABLE

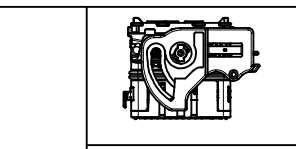
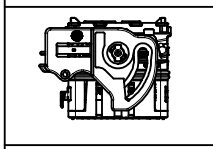
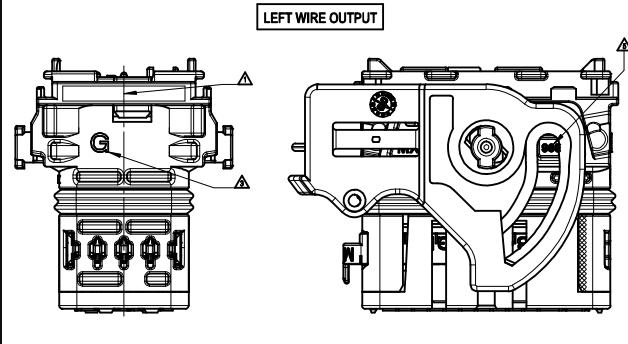
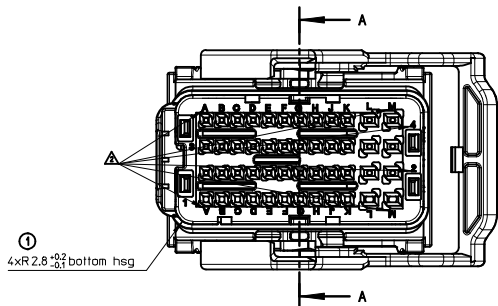
CUSTOMER: GENERAL MARKET

SHEET NUMBER: 2 OF 2

molex

CMC CONNECTOR 36 WAY
MAT SEAL VERSION

PRODUCT CUSTOMER DRAWING

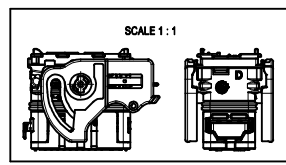
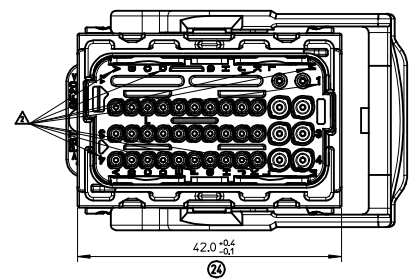
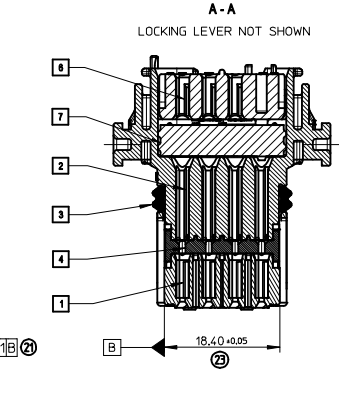
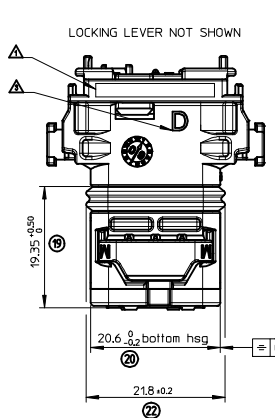
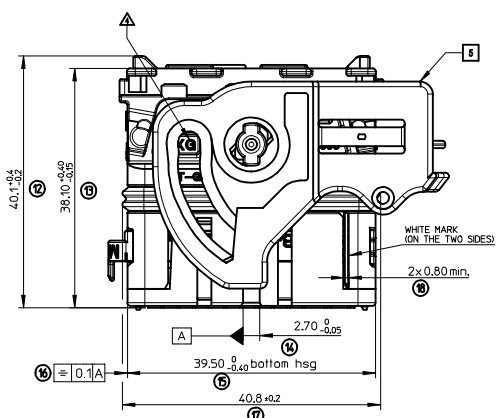
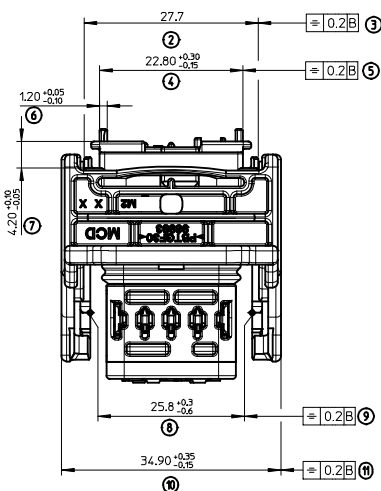


LEFT WIRE OUTPUT

MATERIAL NUMBER	COLOR
0643202311	BLACK
0643202319	BROWN

RIGHT WIRE OUTPUT

MATERIAL NUMBER	COLOR
0643204311	BLACK
0643204319	BROWN



NOTES:
 1-FOR ILLUSTRATION PURPOSE THE FEMALE HOUSING SHOWN IS: THE RIGHT WIRE OUTPUT VERSION CODING 1
 2-APPLICATION SPECIFICATION: AS-64319-002
 3-WIRES EXTERNAL DIAMETER USED: FOR CP0.6 TERMINAL: USED WIRES WITH AN EXTERNAL DIAMETER BETWEEN Ø1.25MM MIN AND Ø1.90MM MAX FOR CP15 TERMINAL: USED WIRES WITH AN EXTERNAL DIAMETER BETWEEN Ø1.0MM MIN AND Ø2.80MM MAX
 4-THE CONNECTOR FITS WITH WIRE CAP (48 WAY) MOLEX P/N 0643201901
 5-BLIND PLUG FOR 0.6 AND 15 CAVITIES (MOLEX P/N 0643251010 AND 0643251023) MUST BE USED ON THIS PART.
 6-DELIVERED PRODUCT WEIGHT: 33.8 g

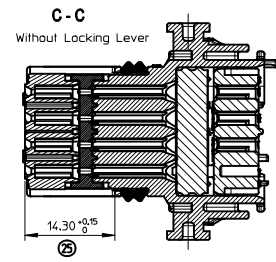
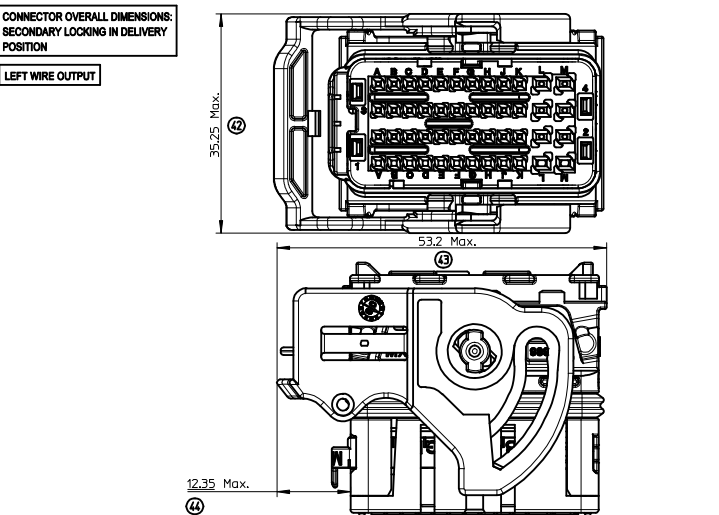
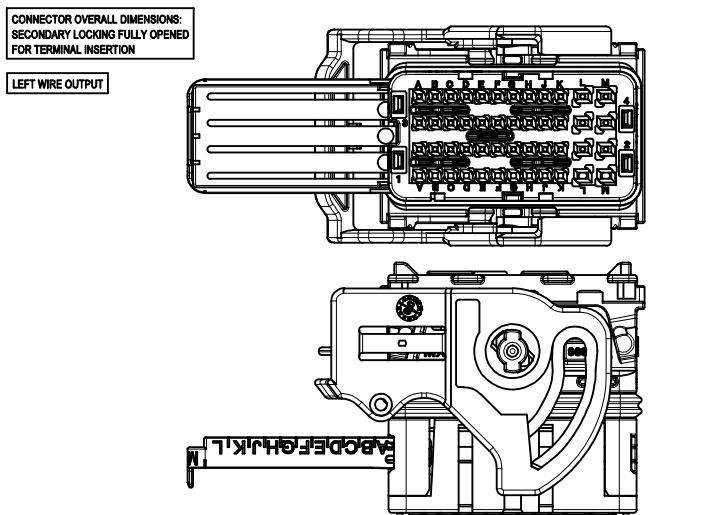
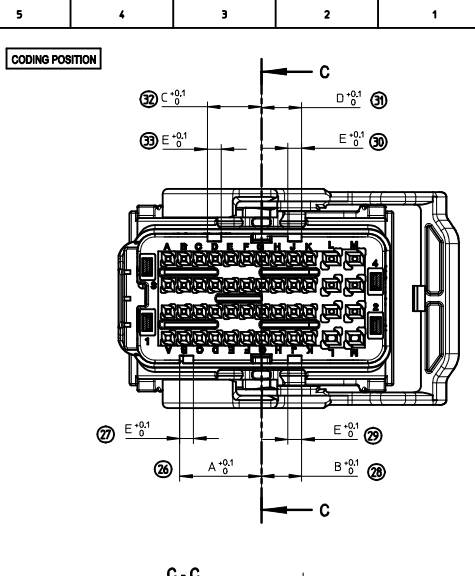
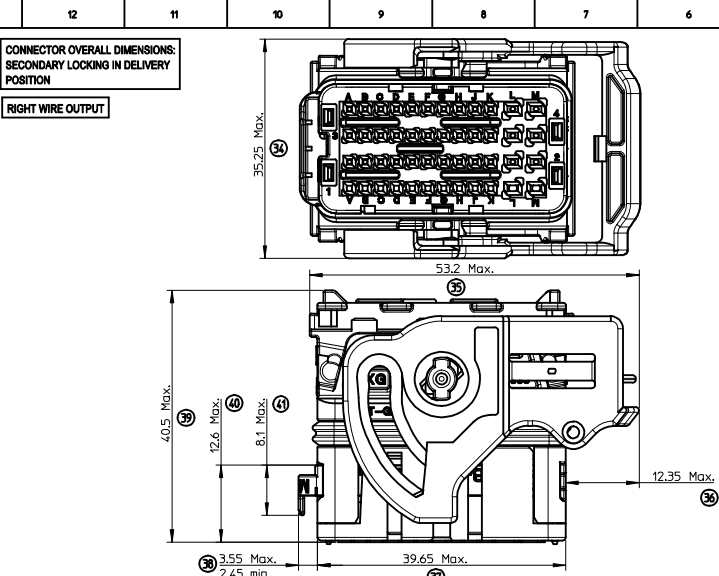
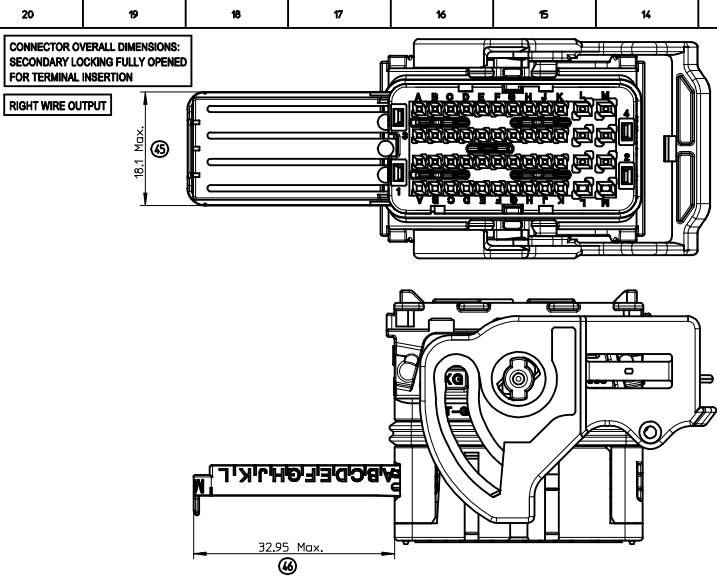
POS.	DESIGNATION	MATERIAL	COLOR
7	MAT SEAL	SILICON	RED
8	BACK GRID 36W	>PBT-GF20<	YELLOW
9	LOCKING LEVER 48W	>PBT-GF30<	BLACK
4	SECONDARY LOCK	>PBT-GF20<	GREY
3	PERIPHERAL SEAL 48W	SILICON	RED
2	BACK PART	>PBT-GF20<	BLACK
1	FRONT PART	>PBT-GF20<	COLOR LINKED TO KEYS

MARKINGS :
 ▲ - Assembled part tracability: Day + Year
 ▲ - Terminal cavities identification
 ▲ - Lever position indicator: "D" LETTER VISIBLE = Part with "LEVER ON THE RIGHT" "G" LETTER VISIBLE = Part with "LEVER ON THE LEFT"
 ▲ - Supplier identification
 ▲ - Material identification

APPL. SPEC. CHANGED ELEC NO: G2016-0064 DRYNAPLESSIS 2015/11/30 CHYKOPPOURIN 2015/12/01 APPR: CBOUCHAN 2015/12/02	QUALITY SYMBOLS (Symbol 1) (Symbol 2) (Symbol 3)	GENERAL TOLERANCES (UNLESS SPECIFIED) mm INCH 4 PLACES ± --- ± --- 3 PLACES ± --- ± --- 2 PLACES ± 0.1 ± --- 1 PLACE ± 0.1 ± --- 0 PLACE ± 0.1 ± ---	DIMENSION STYLE MM ONLY	SCALE 2.5:1	DESIGN UNITS METRIC	FIRST ANGLE PROJECTION
		DRAFT WHERE APPLICABLE MUST REMAIN WITHIN DIMENSIONS	DRAWN BY DATE T. BADAROUX 2008/05/23 CHECKED BY DATE P. GRANDCLAUD 2008/05/23 APPROVED BY DATE C. BOUCHAN 2008/05/23	TITLE CMC CONNECTOR 36 WAY MAT SEAL VERSION	DOCUMENT NO. SD-64320-003	SHEET NO. 1 OF 2

molex

THIS DRAWING CONTAINS INFORMATION THAT IS PROPRIETARY TO MOLEX INCORPORATED AND SHOULD NOT BE USED WITHOUT WRITTEN PERMISSION



COLOR	KEYING	A	B	C	D	E
BLACK	1	13	6.4	8.6	6.4	2.2
GREY	2	10.8	8.6	13	8.6	2.2
BROWN	3	8.6	10.8	13	13	2.2
GREEN	4	10.8	13	6.4	6.4	2.2

TERMINALS USED

CAVITY #	FEMALE TERMINALS (Section mm2)	PLATING	MOLEX P/N	min / MAX WIRE INSULATION DIAMETER (mm)
A1 to K1 A2 to K2 A3 to K3 A4 to K4	CP 0.6 0.35mm2	Tin plated	0643221019	Ø1.25 min / Ø1.40 Max
		Gold plated	0643221229	
	CP 0.6 0.5mm2	Tin plated	0643221039	Ø1.40 min / Ø1.70 Max
		Gold plated	0643221239	
L1 to L4 M1 to M4	CP 0.6 0.75mm2	Tin plated	0643221029	Ø1.60 min / Ø1.90 Max
		Gold plated	0643221219	
	CP 1.5 0.5mm2 to 1mm2	Tin plated	0643231029	Ø1.40 min / Ø2.15 Max
		Gold plated	0643231319	
	CP 1.5 >1mm2 to 2mm2	Tin plated	0643231039	Ø2.10 min / Ø2.80 Max
		Gold plated	0643231219	

APPL. SPEC. CHANGED 2015/11/30
EC NO: G2016-0064
DRAWN BY: DRWINPLESSIS
CHKD BY: PGOUBRIN
APP. BY: CBOUCHAN
REV: 2015/12/01
2015/12/01
2015/12/02

QUALITY SYMBOLS

GENERAL TOLERANCES (UNLESS SPECIFIED)

	mm	INCH
4 PLACES	± 0.1	± 0.004
3 PLACES	± 0.15	± 0.006
2 PLACES	± 0.2	± 0.008
1 PLACE	± 0.3	± 0.012
0 PLACE	± 0.4	± 0.016

ANGULAR ± 2°
DRAFT WHERE APPLICABLE
MUST REMAIN WITHIN DIMENSIONS

DIMENSION STYLE: MM ONLY

SCALE: 2.5:1

DESIGN UNITS: METRIC

FIRST ANGLE PROJECTION

DRAWN BY: T. BADAROUX
DATE: 2008/05/23

CHECKED BY: P. GRANDCLAUD
DATE: 2008/05/23

APPROVED BY: C. BOUCHAN
DATE: 2008/05/23

MATERIAL NO.:

SEE SHEET 1

TITLE: CMC CONNECTOR 36 WAY MAT SEAL VERSION

DOCUMENT NO.: SD-64320-003

SHEET NO.: 2 OF 2

THIS DRAWING CONTAINS INFORMATION THAT IS PROPRIETARY TO MOLEX INCORPORATED AND SHOULD NOT BE USED WITHOUT WRITTEN PERMISSION