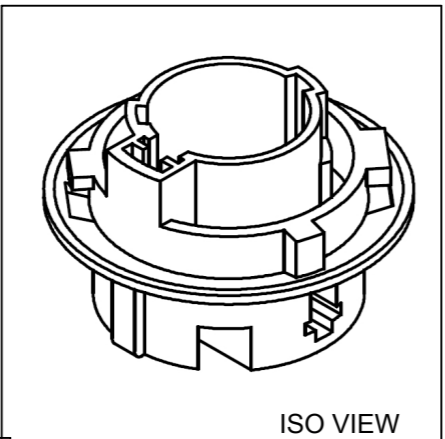
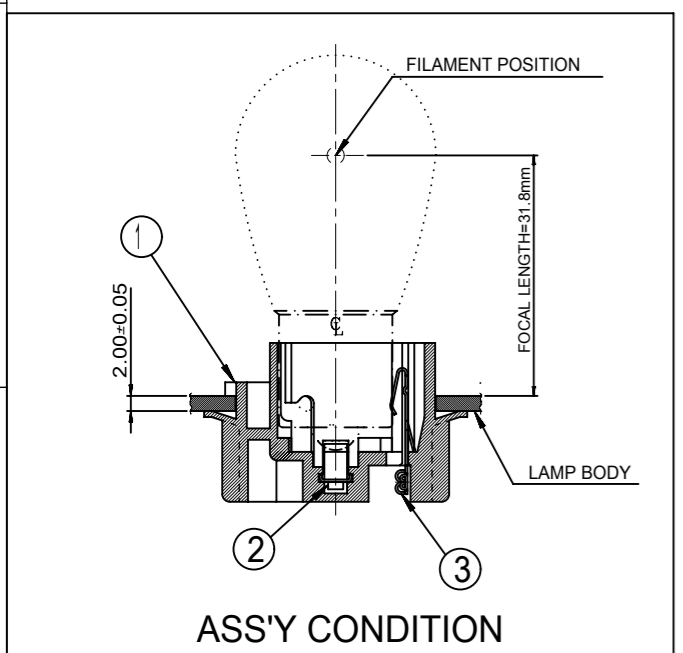


- NOTES**
1. FOCAL LENGTH = 31.8mm
  2. APPLICABLE BULB CAP: PY21W(BAU15s)
  3. MATES WITH

NO.	DESCRIPTION	MATERIAL	ORDER NO.	REMARK
②	POSITIVE TERMINAL	PHOSPHOR BRONZE	35438-8000	UNPLATED
③	EARTH TERMINAL	PHOSPHOR BRONZE	35439-8000	UNPLATED

**<PART LIST>**

NO.	DESCRIPTION	MATERIAL	USAGE	REMARK
①	SINGLE SOCKET	PA66	1	B TYPE



**<TABLE 1>**

MATERIAL NO.	ORDER NO.	COLOR
355330215	35533-0215	GRAY
355330216	35533-0216	WHITE

THIS DRAWING CONTAINS INFORMATION THAT IS PROPRIETARY TO MOLEX ELECTRONIC TECHNOLOGIES, LLC AND SHOULD NOT BE USED WITHOUT WRITTEN PERMISSION

DIMENSION UNITS <b>MM</b>	SCALE <b>1:1</b>	CURRENT REV DESC: OBSOLETE PART NUMBER.	<b>molex</b>		
GENERAL TOLERANCES (UNLESS SPECIFIED)		EC NO: 628210			
4 PLACES ±	MM INCH	DRWN: AKUMAR19 2018/10/30	PRODUCT CUSTOMER DRAWING		
3 PLACES ±		CHK'D: GGA 2019/12/17	DOCUMENT NUMBER		
2 PLACES ± 0.2		APPR: GGA 2019/12/17	DOC TYPE DOC PART REVISION		
1 PLACE ± 0.3		INITIAL REVISION:	SD-35533-002 PSD 001 J		
0 PLACES ±		DRWN: JSKANG 1998/01/31	MATERIAL NUMBER		
ANGULAR TOL ± 3.0°		APPR: CWLEE 1998/01/31	CUSTOMER		
DRAFT WHERE APPLICABLE MUST REMAIN WITHIN DIMENSIONS	THIRD ANGLE PROJECTION	DRAWING	SERIES	MATERIAL NUMBER	SHEET NUMBER
		A3-SIZE	35533	SEE TABLE 1	1 OF 1
				GENERAL MARKET	